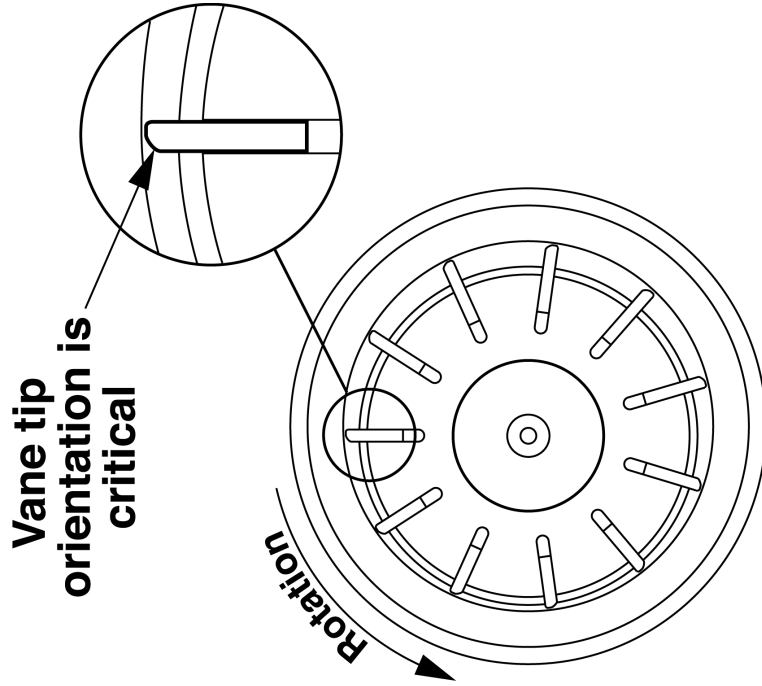
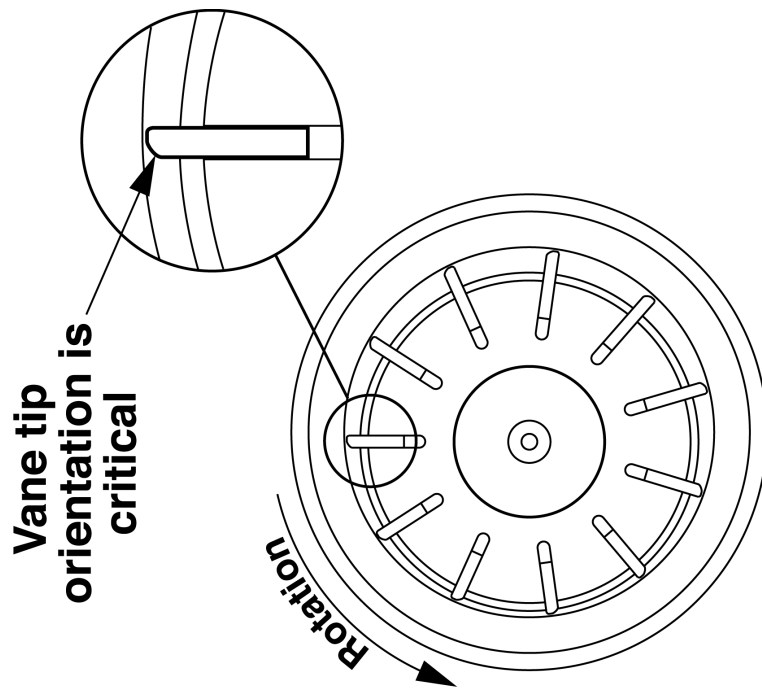


The leading edge of the vanes must be oriented in the direction of rotation. The leading edge is identified as the low side of the vane taper. Improper installation will result in excessive noise, greatly reduced vane life, and possible pump failure.
Make sure all vane slots have a vane in them.



**Pump body viewed
from cover side**

The leading edge of the vanes must be oriented in the direction of rotation. The leading edge is identified as the low side of the vane taper. Improper installation will result in excessive noise, greatly reduced vane life, and possible pump failure.
Make sure all vane slots have a vane in them.



**Pump body viewed
from cover side**