

Low Profile Style

Low Profile Style

Hydraulic Power Units

Power Units	Low Profile
Size	10 to 30 gallons
Max Pressure	Up to 4,000 PSI
Flow Rate	.5-14.4 GPM
Power	1/2-20 HP



Low Profile

► DESCRIPTION:

Convenient access to components allows for easy adjustments and efficient maintenance. Economical and easy to configure without sacrificing quality.

Pumps and motors mounted horizontally on the top of the reservoir. Similar to a JIC unit. However, we removed the legs and integrated the filter in the top plate, so the standard components are within the frame of the reservoir.

Hydraulic valve varieties:

D03 and D05 size, on-off and proportional

Gear pumps: .5 GPM to 12 GPM up to 3600 PSI

Vane pumps: 1-75 GPM up to 3000 PSI

Piston pumps: 6-29 GPM up to 4000 PSI

► SPECIFICATIONS:

Specifications	W10	W20	W30
Reservoir Capacity	10 Gal. (37.8 liters)	20 Gal. (75.7 liters)	30 Gal. (112.7 liters)
Surface Area For Heat Transfer	4.96 sq. ft. (4607.8 cm ²)	7.64 sq. ft. (7097.6 cm ²)	9.58 sq. ft. (8899.8 cm ²)
Heat Dissipation At ΔT	Sq. Ft. of Vertical Steel x ΔT / 1000		
Basic Weight (Less Oil, Pump, and Motor)	129 lbs. (58.5 kg)	183 lbs. (83.0 kg)	243 lbs. (21.3 kg)
Usable Gallons	5.46 Gal. (20.7 liters)	7.62 Gal. (28.8 liters)	11.1 Gal. (42.0 liters)
Gallons Per Inch Rise	1.77 Gal. (6.7 liters)	2.47 Gal. (9.4 liters)	3.60 Gal. (13.6 liters)
Capacity, Full to Top Plate	14.07 Gal. (53.3 liters)	27.22 Gal. (103.0 liters)	39.55 Gal. (149.7 liters)
Pump Data (See VANE PUMP CATALOG for complete codes and specifications.)			
Flow Range	Up to 12.9 gpm (48.8 lpm)	Up to 12.9 gpm (48.8 lpm)	Up to 12.9 gpm (48.8 lpm)
Pressure Range	Up to 3770 psi (260 bar)	Up to 3770 psi (260 bar)	Up to 3770 psi (260 bar)
Power Range	Up to 20 HP (14.9 kW)	Up to 20 HP (14.9 kW)	Up to 20 HP (14.9 kW)

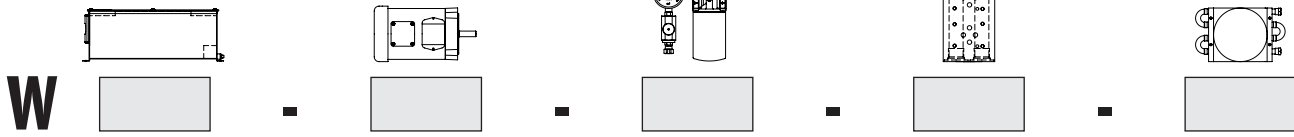
► KEY FEATURES:

- System flow to 30 GPM, Pressure to 4000 PSI
- Test to and beyond 20 HP including international voltages
- Fluids and compatible seals - water glycol, phosphate ester, mineral, ATF, and more
- Drawings in SolidWorks format or AutoCAD DWG/DXF
- Assemblers are CFPS and over 20 years experience each
- 18 months warranty on power units, 36 months on Continental components
- Documented and tested 100%
- Motor controls and panels
- Motor starters and system accessories
- Easily customized to customer specifications with accessories

► TABLE OF CONTENTS:

General Specifications	1
Ordering Information	2
Features	3
Dimension Drawing	
- Power Unit with Gear Pump	4-7
- Power Unit with Vane Pump	8-11
Basic Schematic	12-16

► IDENTIFICATION CODE: Ordering Information - Standard



SERIES	
CODE	SERIES
W	Low Profile

MOTOR				
CODE	H.P.	Voltage	1800 rpm	Frame Size
010T	1	208/230/460/60/3		56C
010S	1	115/280/230/60/1		56C
015T	1.5	208/230/460/60/3		56C
015S	1.5	115/280/230/60/1		56C
020T	2	208/230/460/60/3		56C
020S	2	115/280/230/60/1		56C
030T	3	208/230/460/60/3		182TC
030S	3	115/280/230/60/1		182TC
050T	5	208/230/460/60/3		184TC
075T	7.5	208/230/460/60/3		213TC
100T	10	208/230/460/60/3		215TC
150T	15	230/460/60/3		254TC
200T	20	230/460/60/3		256TC

PRESSURE MANIFOLD	
CODE	DESCRIPTION
PR8A	With Built-In Relief, SAE-8 "P" & "T" Female Ports
PR12A	With Built-In Relief, SAE-12 "P" & "T" Female Ports
V3M1AR	Single Station Manifold DO3 With Built-In Relief, SAE-8 "A" & "B" Female Ports
V3M2AR	Two Station Manifold DO3 With Built-In Relief, SAE-8 "A" & "B" Female Ports
V3M3AR	Three Station Manifold DO3 With Built-In Relief, SAE-8 "A" & "B" Female Ports
V3M4AR	Four Station Manifold DO3 With Built-In Relief, SAE-8 "A" & "B" Female Ports
V3M5AR	Five Station Manifold DO3 With Built-In Relief, SAE-8 "A" & "B" Female Ports
V3M6AR	Six Station Manifold DO3 With Built-In Relief, SAE-8 "A" & "B" Female Ports

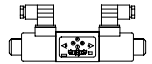
HEAT EXCHANGER	
CODE	DESCRIPTION
Omit	No Cooler Option
HEA44C	Air-to-Oil Case Drain Cooler, SAE-8 Ports (Vane Pump Only)
HEA41R	Air-to-Oil Cooler HEA41 for Return Line, SAE-12

PRESSURE MANIFOLD

- *FOR NO RELIEF VALVE REMOVE THE "R" FROM THE CODE (V3M4AR EQUALS V3M4A)
- *FOR DO5 VALVES CHANGE THE "3" to "5" IN MODEL CODE (V3M4A EQUALS V5M4A)
- *FOR DUCTILE IRON MANIFOLDS CHANGE THE "A" TO "D" IN THE MODEL CODE (V3M4AR EQUALS V3M4DR OR PR8A TO PR8D)
- *FOR SERIES TYPE OF MANIFOLDS CHANGE THE "M" TO "S" FROM THE CODE (V3M4AR EQUALS V3S4AR)

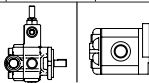
Select valves as required from the appropriate Continental Hydraulics Catalogs.

For manifold dimensions and specifications, see the Daman Products Manifold Catalog.



RESERVOIR AND GALLON CAPACITY		
CODE	STANDARD PUMP COMBINATIONS	MOTOR SIZE
10	SAE-AA G0.5B36 Through G3.4B26	10
	SAE-A G2.0B34 Through G14.4B21 PVR6	
	SAE-AA G0.5B36 Through G3.4B26	
20	SAE-AA G2.0B34 Through G14.4B21 PVR6	20
	SAE-A G0.5B36 Through G3.4B26	
	SAE-AA G2.0B34 Through G14.4B21 PVR6	
30	SAE-AA G0.5B36 Through G3.4B26	20
	SAE-A G2.0B34 Through G14.4B21 PVR6	
	SAE-AA G0.5B36 Through G3.4B26	

Select Vane Pump from the Continental Hydraulics Vane Pump Catalog or Gear Pump from the Power Unit Accessories Catalog.



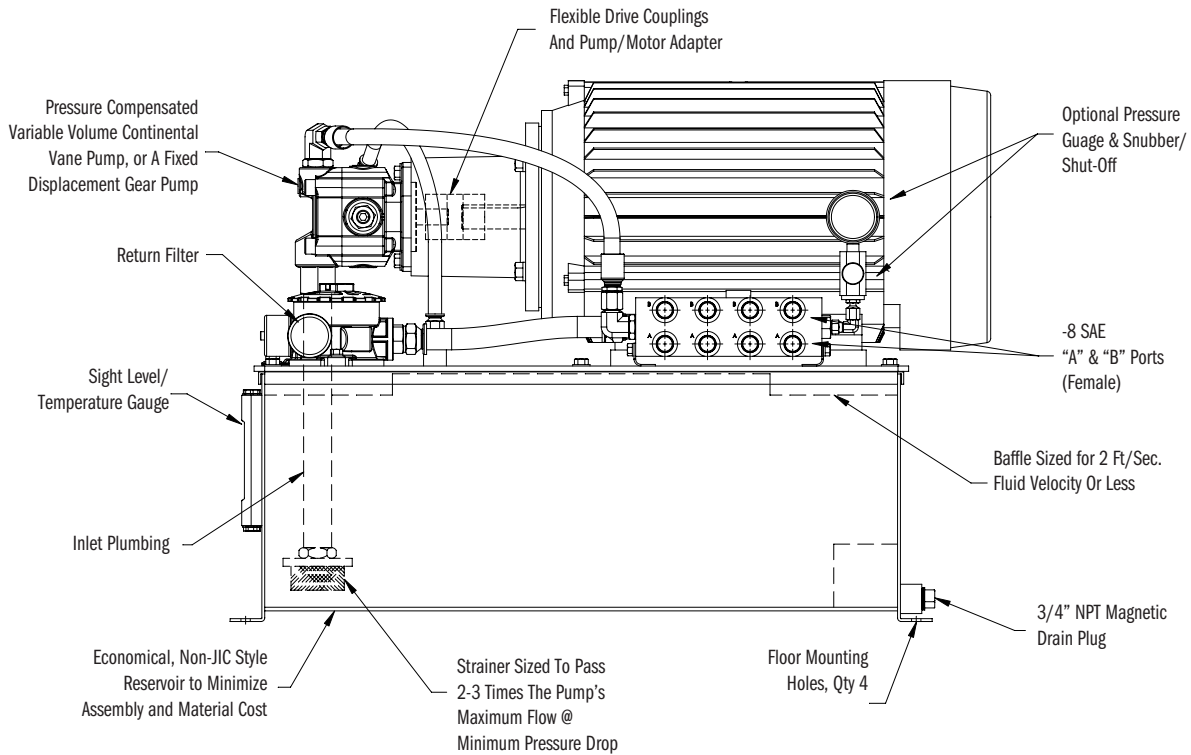
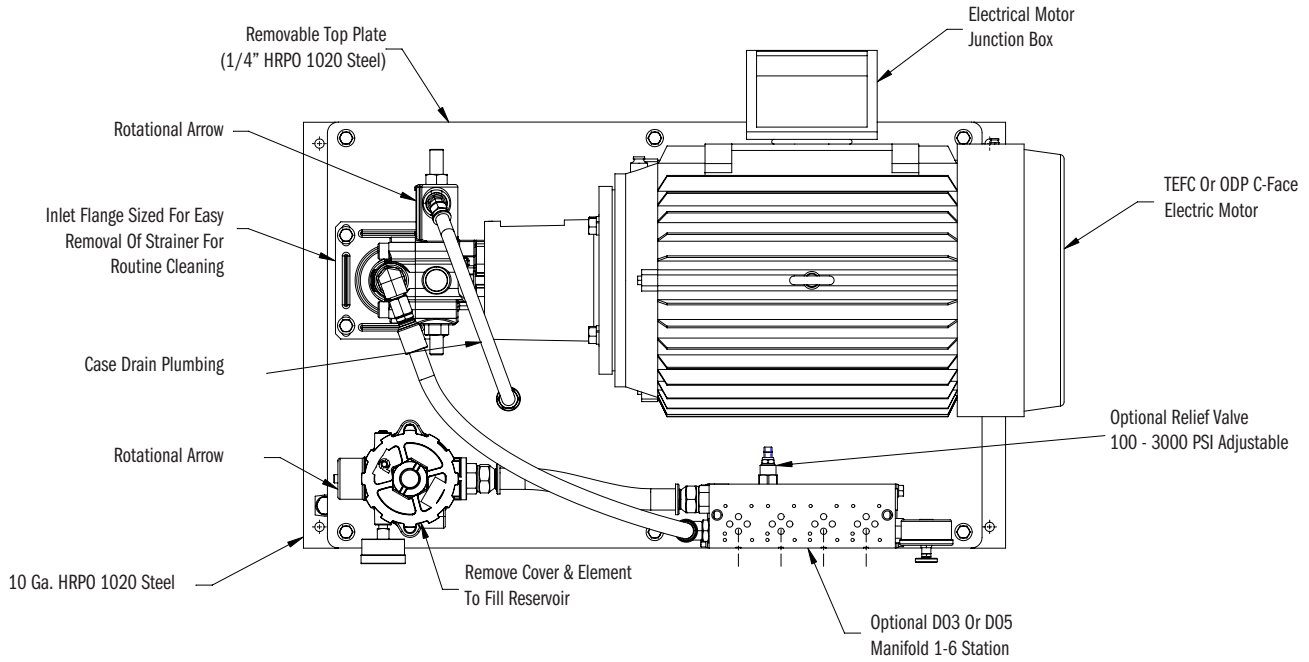
NOTE: Pump and motor ranges listed for each reservoir size are standard combinations. For special combinations, please discuss your application with your Continental Hydraulics distributor or the factory.

GAUGE / OPTIONS	
CODE	DESCRIPTION
Omit	No Options
G1	Pressure Gauge 0 - 1000 psi
G1.5	Pressure Gauge 0 - 1500 psi
G2	Pressure Gauge 0 - 2000 psi
G3	Pressure Gauge 0 - 3000 psi
G5	Pressure Gauge 0 - 5000 psi
N	Needle Valve SAE-4
CV08	Check Valve Inline SAE-8, 5000 psi (345 bar) Rated
CV12	Check Valve Inline SAE-12, 5000psi (345 bar) Rated
LT	Level/Temperature Switch
TH	Tank Heater 30° - 100° F. (-1° - 38° C.) Adjustment
FRIC25	Included Standard In-tank Return Filter 25 GPM, W/Breather, Not Needed in Model Code

TYPICAL ORDERING CODE:
W20-030T-G3N-V3M2A-HEA44C (Power Unit)
PVR6-6B20-RF-0-1 (Vane Pump)
VSD03M-3A-GB-60L Station 1
VSD03M-1A-GB-60L Station 2
BD03-100 (Bolt kit - Qty. 2)

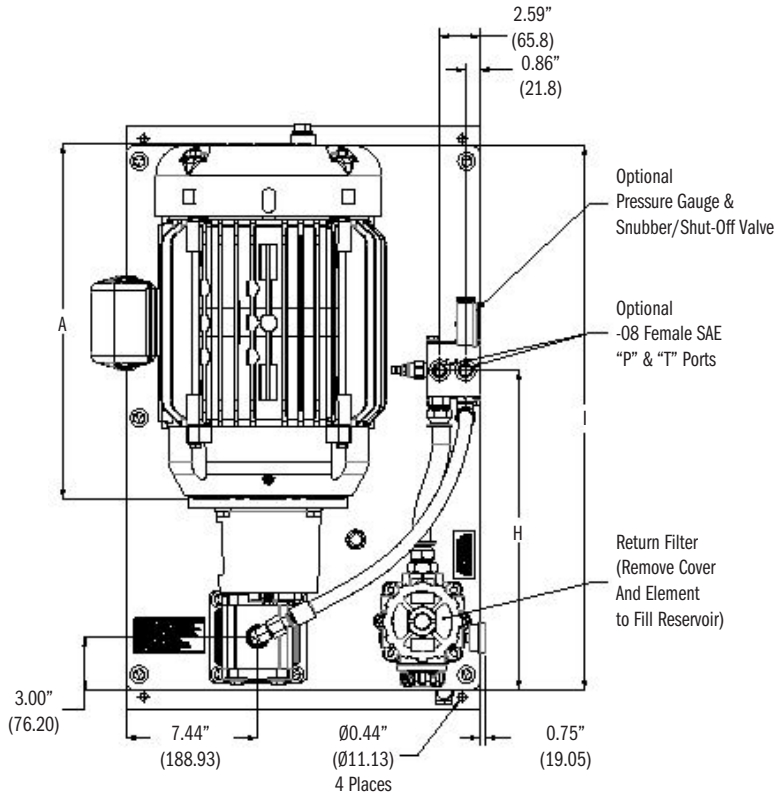
TYPICAL ORDERING CODE:
W10-020T-G3N-V3M2DR (Power Unit)
G2.1B34 (Gear Pump)
VSD03M-5L-GB-60L Station 1
BD03-100 (Bolt kit - Qty. 1)
VSD03M-1A-GB-60L Station 2
F03MSV-NDC-AC-D Station 2
BD03-250 (Bolt kit - Qty. 1)

► **FEATURES:**

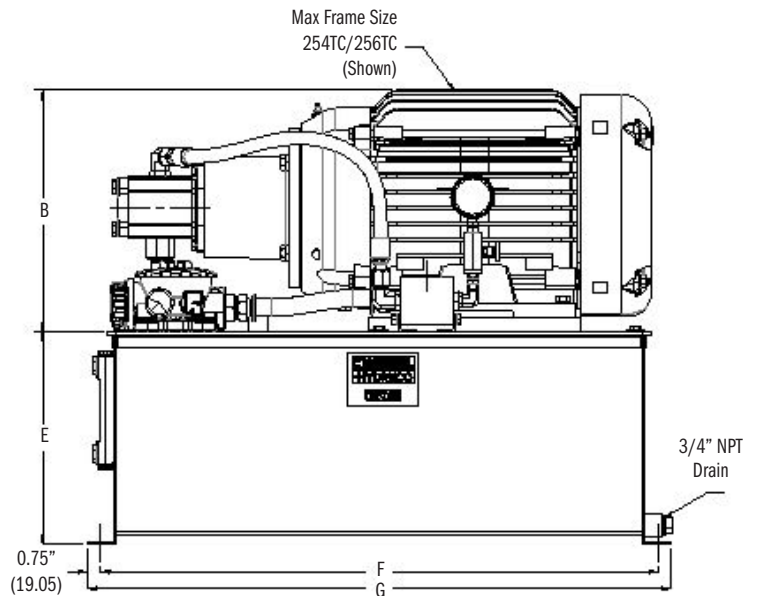
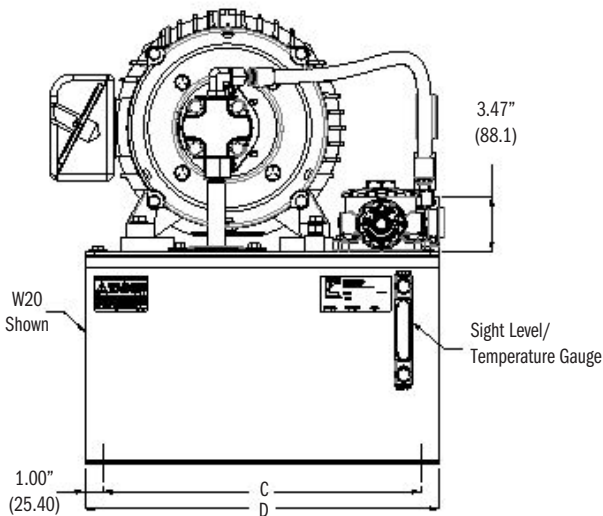


► **FEATURES:**
GEAR PUMP PR8A PRESSURE/RETURN BLOCK

Dimensions:
inches (± .125")
millimeters (± 1 mm)



DIMENSIONS A and B			
MOTOR FRAME	H.P.	A (± .125")	B
56C	1/2	9.99 (253.8)	9.92 (252.0)
56C	3/4	9.99 (263.8)	10.44 (265.2)
56C	1	10.49 (266.5)	9.92 (252.0)
56C	1.5	11.49 (291.8)	9.92 (252.0)
56C	2	11.99 (304.6)	8.65 (219.7)
182TC	3	13.36 (339.3)	10.15 (257.8)
184TC	5	15.42 (391.7)	10.24 (260.1)
213TC	7.5	16.07 (408.2)	12.24 (310.9)
215TC	10	16.07 (408.2)	12.24 (310.9)
254TC	15	20.03 (508.8)	13.63 (346.2)
256TC	20	20.03 (508.8)	13.63 (346.2)



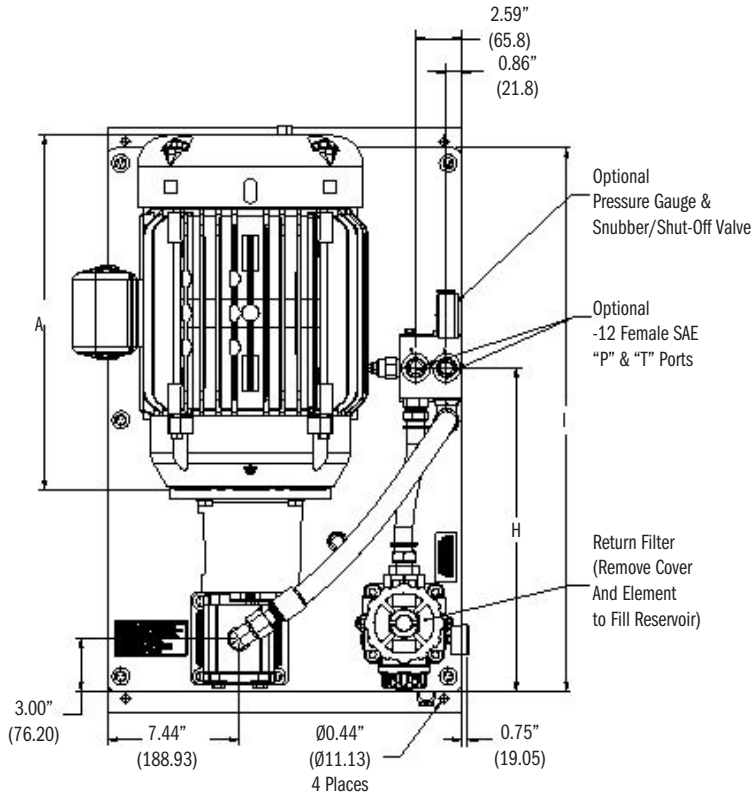
#1029557

Dimensions C through I

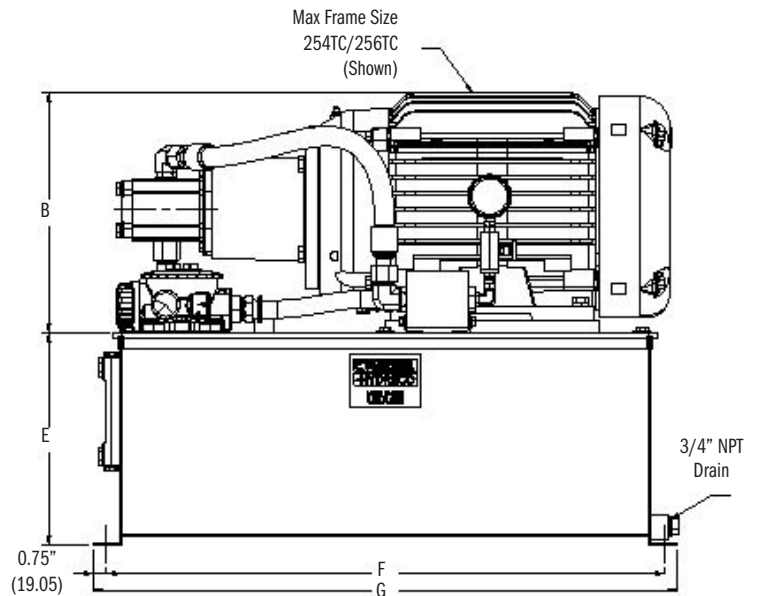
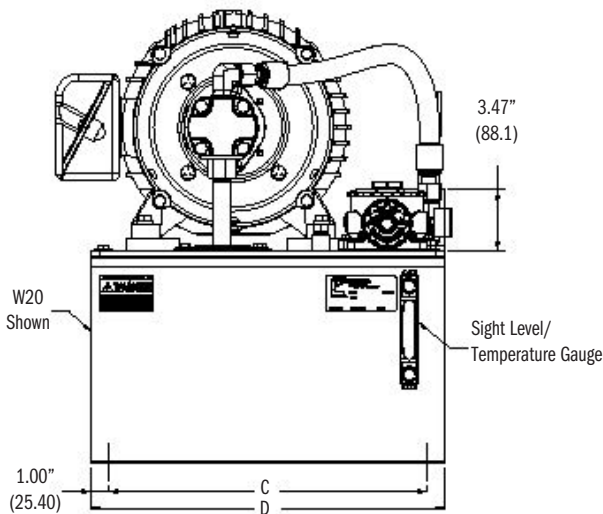
Reservoir	C	D	E	F	G	H	I
W10	16.00 (406.4)	18.00 (457.2)	9.00 (228.6)	25.50 (647.7)	27.00 (685.8)	16.38 (416.6)	24.25 (615.9)
W20	18.00 (457.2)	20.00 (508.0)	12.00 (304.8)	31.50 (800.1)	33.00 (838.2)	19.63 (492.3)	30.75 (793.7)
W30	22.00 (558.8)	24.00 (609.6)	12.00 (304.8)	37.50 (952.5)	39.00 (990.6)	22.50 (571.5)	36.50 (927.1)

► **FEATURES:**
GEAR PUMP PR12A PRESSURE/RETURN BLOCK

Dimensions:
inches (± .125")
millimeters (± 1 mm)



DIMENSIONS A and B			
MOTOR FRAME	H.P.	A (± .125")	B
56C	1/2	9.99 (253.8)	9.92 (252.0)
56C	3/4	9.99 (263.8)	10.44 (265.2)
56C	1	10.49 (266.5)	9.92 (252.0)
56C	1.5	11.49 (291.8)	9.92 (252.0)
56C	2	11.99 (304.6)	8.65 (219.7)
182TC	3	13.36 (339.3)	10.15 (257.8)
184TC	5	15.42 (391.7)	10.24 (260.1)
213TC	7.5	16.07 (408.2)	12.24 (310.9)
215TC	10	16.07 (408.2)	12.24 (310.9)
254TC	15	20.03 (508.8)	13.63 (346.2)
256TC	20	20.03 (508.8)	13.63 (346.2)



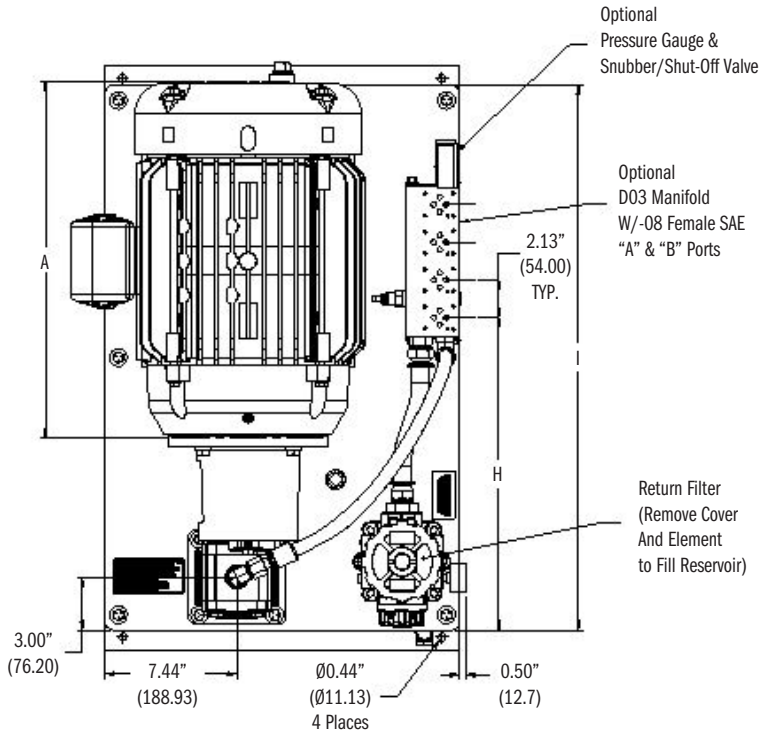
#1029571

Dimensions C through I

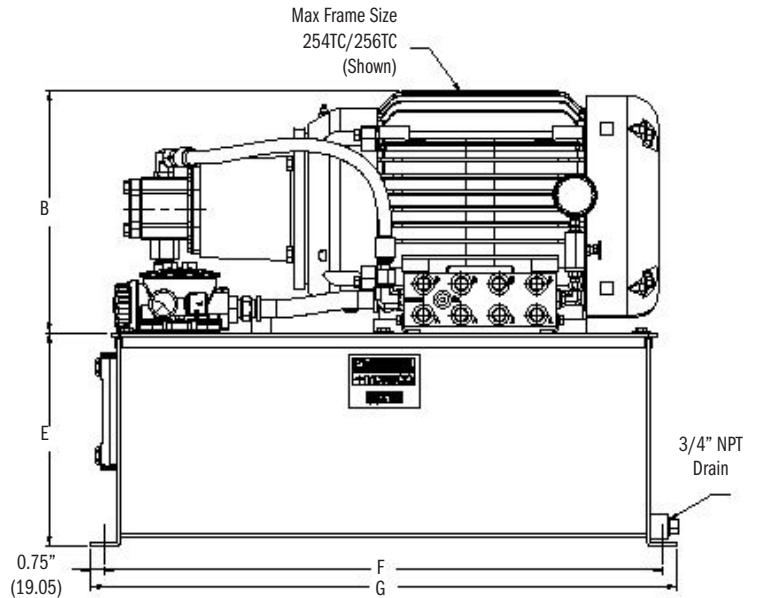
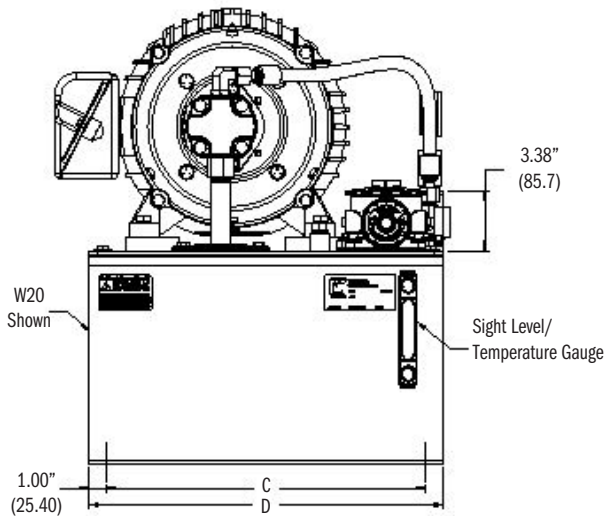
Reservoir	C	D	E	F	G	H	I
W10	16.00 (406.4)	18.00 (457.2)	9.00 (228.6)	25.50 (647.7)	27.00 (685.8)	16.38 (416.6)	24.25 (615.9)
W20	18.00 (457.2)	20.00 (508.0)	12.00 (304.8)	31.50 (800.1)	33.00 (838.2)	19.63 (492.3)	30.75 (793.7)
W30	22.00 (558.8)	24.00 (609.6)	12.00 (304.8)	37.50 (952.5)	39.00 (990.6)	22.50 (571.5)	36.50 (927.1)

► **FEATURES:**
GEAR PUMP V3M4AR MANIFOLD

Dimensions:
inches (± .125")
millimeters (± 1 mm)



DIMENSIONS A and B			
MOTOR FRAME	H.P.	A (± .125")	B
56C	1/2	9.99 (253.8)	9.92 (252.0)
56C	3/4	9.99 (263.8)	10.44 (265.2)
56C	1	10.49 (266.5)	9.92 (252.0)
56C	1.5	11.49 (291.8)	9.92 (252.0)
56C	2	11.99 (304.6)	8.65 (219.7)
182TC	3	13.36 (339.3)	10.15 (257.8)
184TC	5	15.42 (391.7)	10.24 (260.1)
213TC	7.5	16.07 (408.2)	12.24 (310.9)
215TC	10	16.07 (408.2)	12.24 (310.9)
254TC	15	20.03 (508.8)	13.63 (346.2)
256TC	20	20.03 (508.8)	13.63 (346.2)



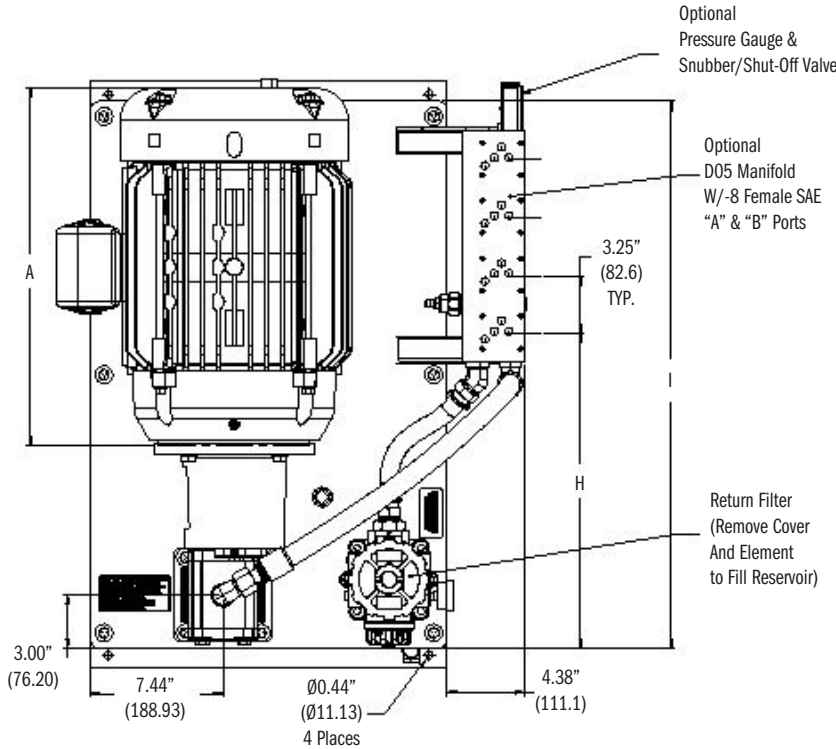
#1029573

Dimensions C through I

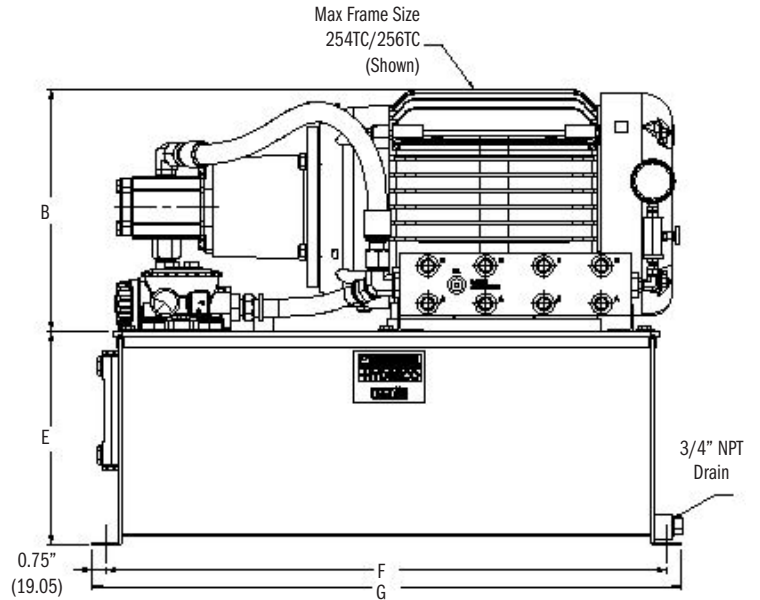
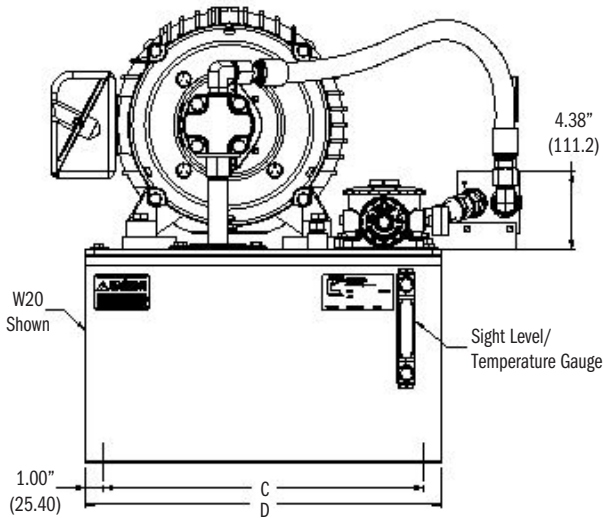
Reservoir	C	D	E	F	G	H	I
W10	16.00 (406.4)	18.00 (457.2)	9.00 (228.6)	25.50 (647.7)	27.00 (685.8)	16.38 (416.6)	24.25 (615.9)
W20	18.00 (457.2)	20.00 (508.0)	12.00 (304.8)	31.50 (800.1)	33.00 (838.2)	19.63 (492.3)	30.75 (793.7)
W30	22.00 (558.8)	24.00 (609.6)	12.00 (304.8)	37.50 (952.5)	39.00 (990.6)	22.50 (571.5)	36.50 (927.1)

► **FEATURES:**
GEAR PUMP V5M4AR MANIFOLD

Dimensions:
inches (± .125")
millimeters (± 1 mm)



DIMENSIONS A and B			
MOTOR FRAME	H.P.	A (± .125")	B
56C	1/2	9.99 (253.8)	9.92 (252.0)
56C	3/4	9.99 (263.8)	10.44 (265.2)
56C	1	10.49 (266.5)	9.92 (252.0)
56C	1.5	11.49 (291.8)	9.92 (252.0)
56C	2	11.99 (304.6)	8.65 (219.7)
182TC	3	13.36 (339.3)	10.15 (257.8)
184TC	5	15.42 (391.7)	10.24 (260.1)
213TC	7.5	16.07 (408.2)	12.24 (310.9)
215TC	10	16.07 (408.2)	12.24 (310.9)
254TC	15	20.03 (508.8)	13.63 (346.2)
256TC	20	20.03 (508.8)	13.63 (346.2)



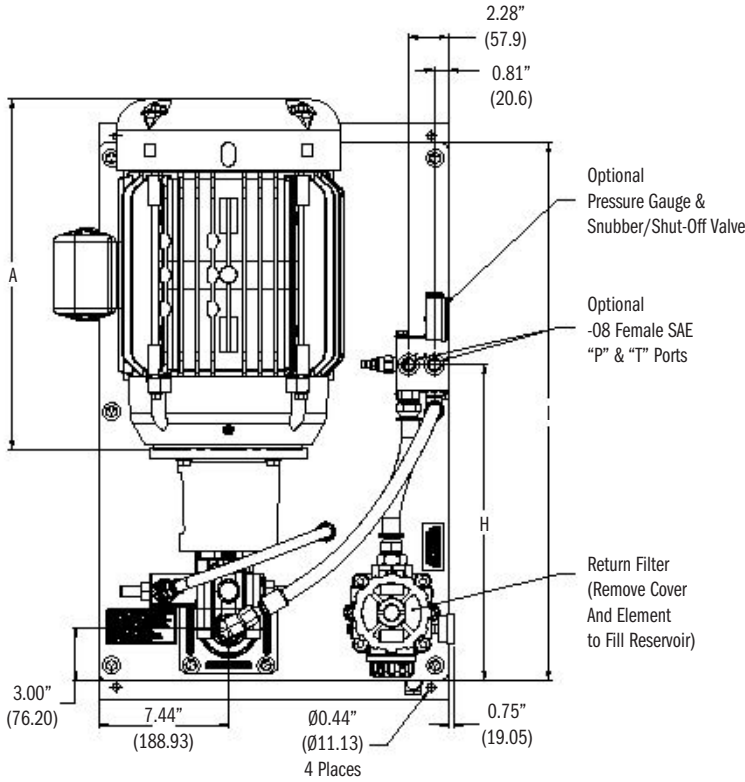
#1029574

Dimensions C through I

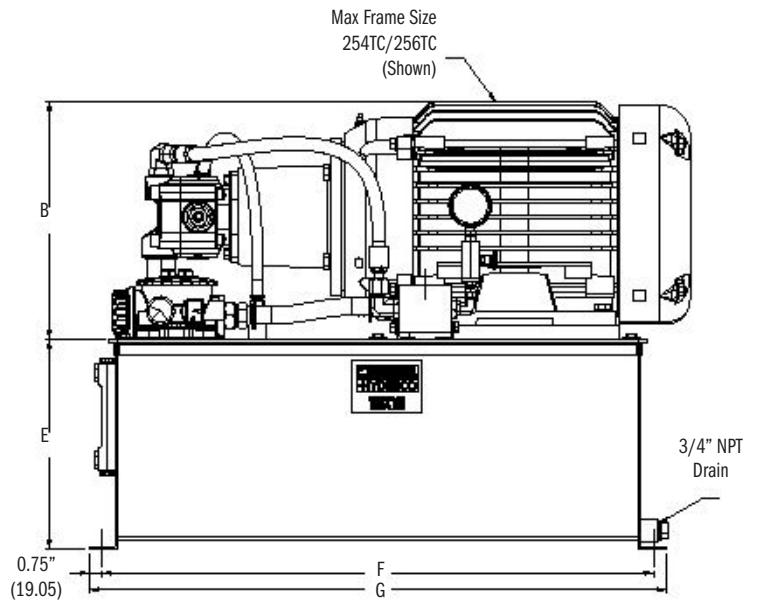
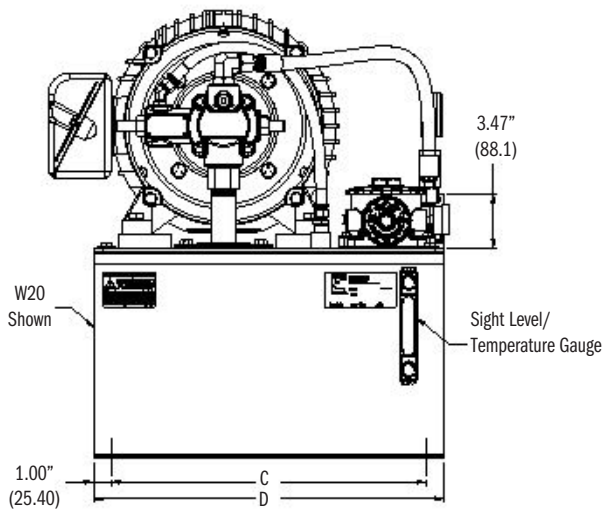
Reservoir	C	D	E	F	G	H	I
W10	16.00 (406.4)	18.00 (457.2)	9.00 (228.6)	25.50 (647.7)	27.00 (685.8)	16.38 (416.6)	24.25 (615.9)
W20	18.00 (457.2)	20.00 (508.0)	12.00 (304.8)	31.50 (800.1)	33.00 (838.2)	19.63 (492.3)	30.75 (793.7)
W30	22.00 (558.8)	24.00 (609.6)	12.00 (304.8)	37.50 (952.5)	39.00 (990.6)	22.50 (571.5)	36.50 (927.1)

FEATURES:
VANE PUMP PR8A PRESSURE/RETURN BLOCK

Dimensions:
inches (± .125")
millimeters (± 1 mm)



DIMENSIONS A and B			
MOTOR FRAME	H.P.	A (± .125")	B
56C	1/2	9.99 (253.8)	9.92 (252.0)
56C	3/4	9.99 (263.8)	10.44 (265.2)
56C	1	10.49 (266.5)	9.92 (252.0)
56C	1.5	11.49 (291.8)	9.92 (252.0)
56C	2	11.99 (304.6)	8.65 (219.7)
182TC	3	13.36 (339.3)	10.15 (257.8)
184TC	5	15.42 (391.7)	10.24 (260.1)
213TC	7.5	16.07 (408.2)	12.24 (310.9)
215TC	10	16.07 (408.2)	12.24 (310.9)
254TC	15	20.03 (508.8)	13.63 (346.2)
256TC	20	20.03 (508.8)	13.63 (346.2)



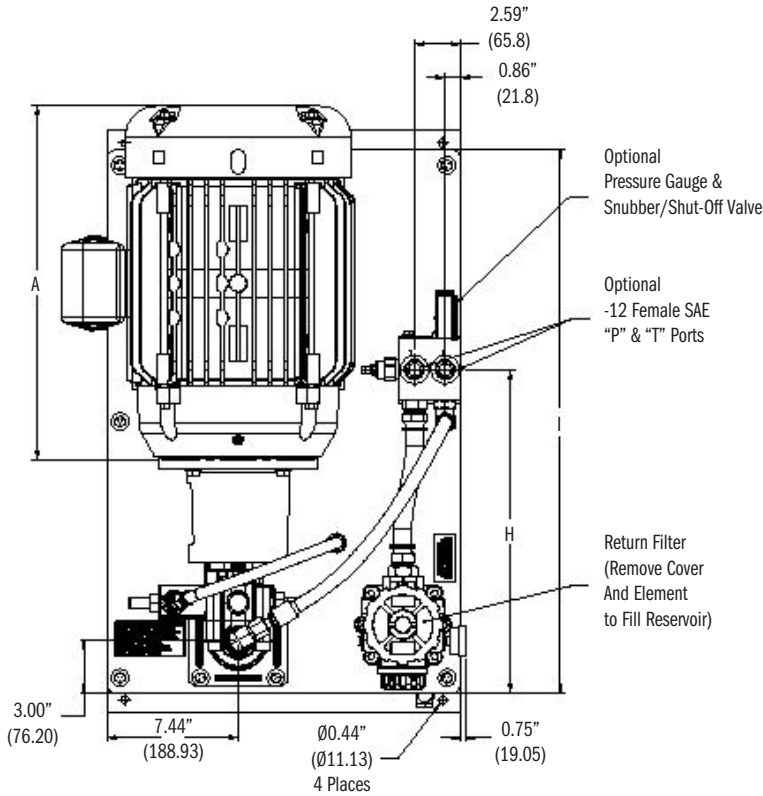
#1029269

Dimensions C through I

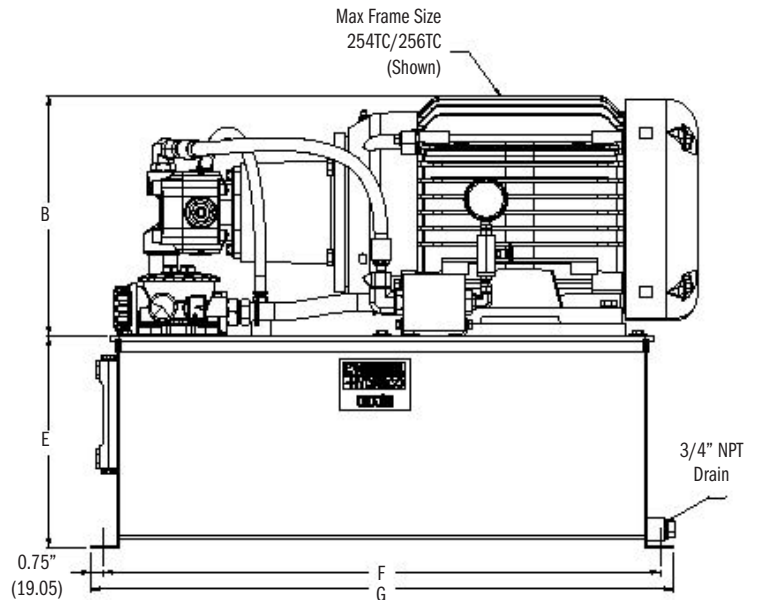
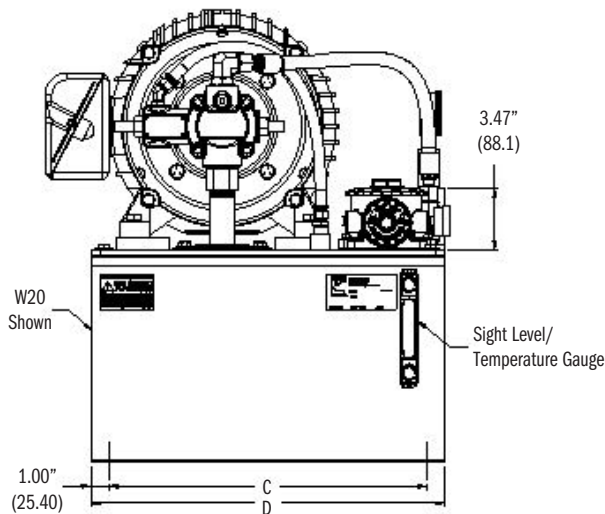
Reservoir	C	D	E	F	G	H	I
W10	16.00 (406.4)	18.00 (457.2)	9.00 (228.6)	25.50 (647.7)	27.00 (685.8)	16.38 (416.6)	24.25 (615.9)
W20	18.00 (457.2)	20.00 (508.0)	12.00 (304.8)	31.50 (800.1)	33.00 (838.2)	19.63 (492.3)	30.75 (793.7)
W30	22.00 (558.8)	24.00 (609.6)	12.00 (304.8)	37.50 (952.5)	39.00 (990.6)	22.50 (571.5)	36.50 (927.1)

► **FEATURES:**
VANE PUMP PR12A PRESSURE/RETURN BLOCK

Dimensions:
inches (± .125")
millimeters (± 1 mm)



DIMENSIONS A and B			
MOTOR FRAME	H.P.	A (± .125")	B
56C	1/2	9.99 (253.8)	9.92 (252.0)
56C	3/4	9.99 (263.8)	10.44 (265.2)
56C	1	10.49 (266.5)	9.92 (252.0)
56C	1.5	11.49 (291.8)	9.92 (252.0)
56C	2	11.99 (304.6)	8.65 (219.7)
182TC	3	13.36 (339.3)	10.15 (257.8)
184TC	5	15.42 (391.7)	10.24 (260.1)
213TC	7.5	16.07 (408.2)	12.24 (310.9)
215TC	10	16.07 (408.2)	12.24 (310.9)
254TC	15	20.03 (508.8)	13.63 (346.2)
256TC	20	20.03 (508.8)	13.63 (346.2)



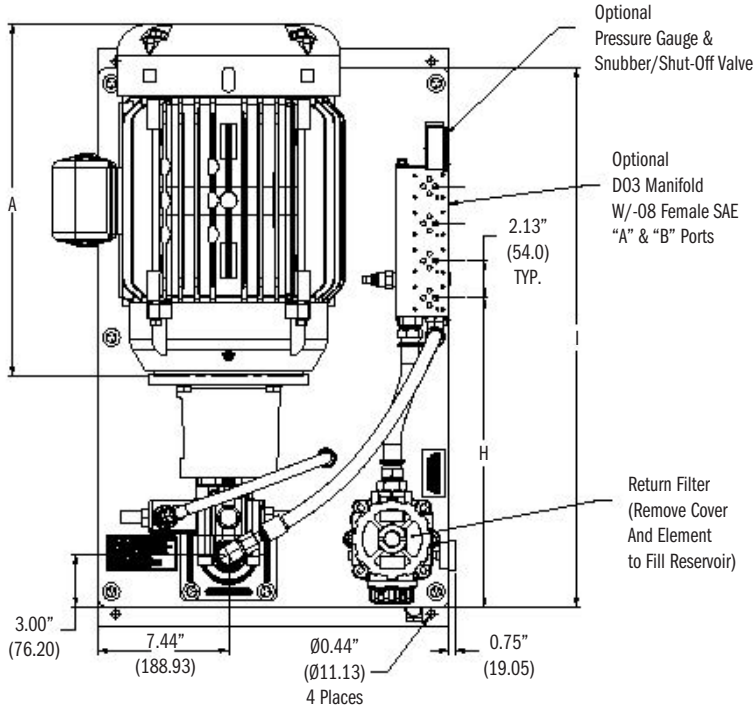
#1029277

Dimensions C through I

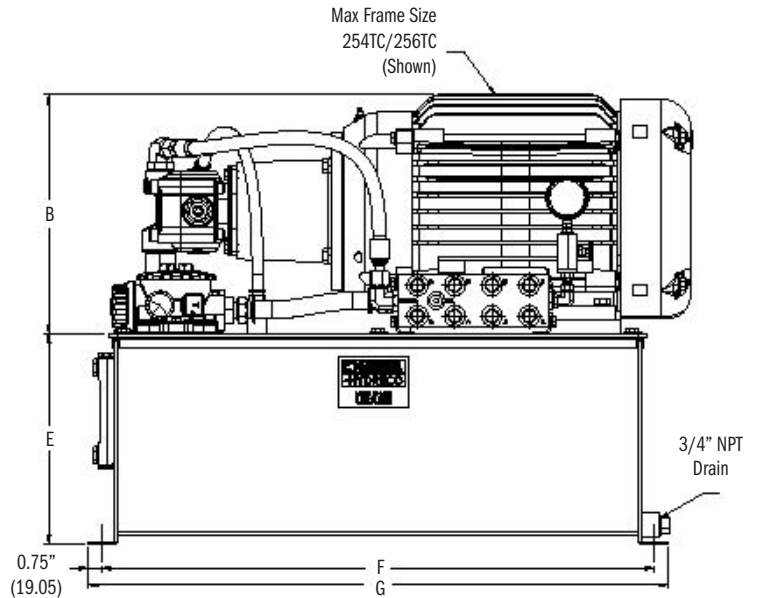
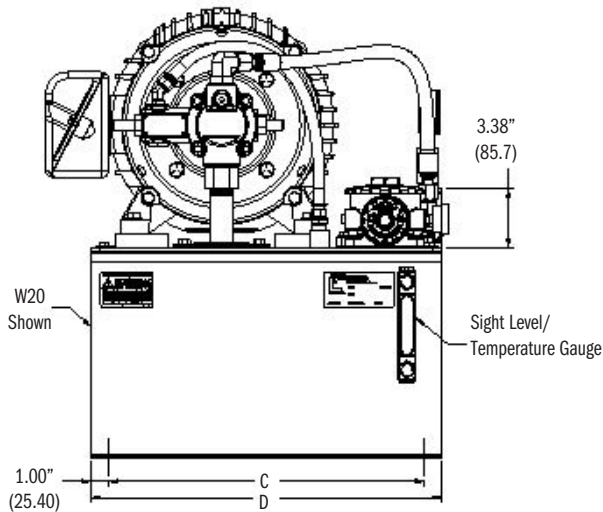
Reservoir	C	D	E	F	G	H	I
W10	16.00 (406.4)	18.00 (457.2)	9.00 (228.6)	25.50 (647.7)	27.00 (685.8)	16.38 (416.6)	24.25 (615.9)
W20	18.00 (457.2)	20.00 (508.0)	12.00 (304.8)	31.50 (800.1)	33.00 (838.2)	19.63 (492.3)	30.75 (793.7)
W30	22.00 (558.8)	24.00 (609.6)	12.00 (304.8)	37.50 (952.5)	39.00 (990.6)	22.50 (571.5)	36.50 (927.1)

► **FEATURES:**
VANE PUMP V3M4AR MANIFOLD

Dimensions:
inches (± .125")
millimeters (± 1 mm)



DIMENSIONS A and B			
MOTOR FRAME	H.P.	A (± .125")	B
56C	1/2	9.99 (253.8)	9.92 (252.0)
56C	3/4	9.99 (263.8)	10.44 (265.2)
56C	1	10.49 (266.5)	9.92 (252.0)
56C	1.5	11.49 (291.8)	9.92 (252.0)
56C	2	11.99 (304.6)	8.65 (219.7)
182TC	3	13.36 (339.3)	10.15 (257.8)
184TC	5	15.42 (391.7)	10.24 (260.1)
213TC	7.5	16.07 (408.2)	12.24 (310.9)
215TC	10	16.07 (408.2)	12.24 (310.9)
254TC	15	20.03 (508.8)	13.63 (346.2)
256TC	20	20.03 (508.8)	13.63 (346.2)



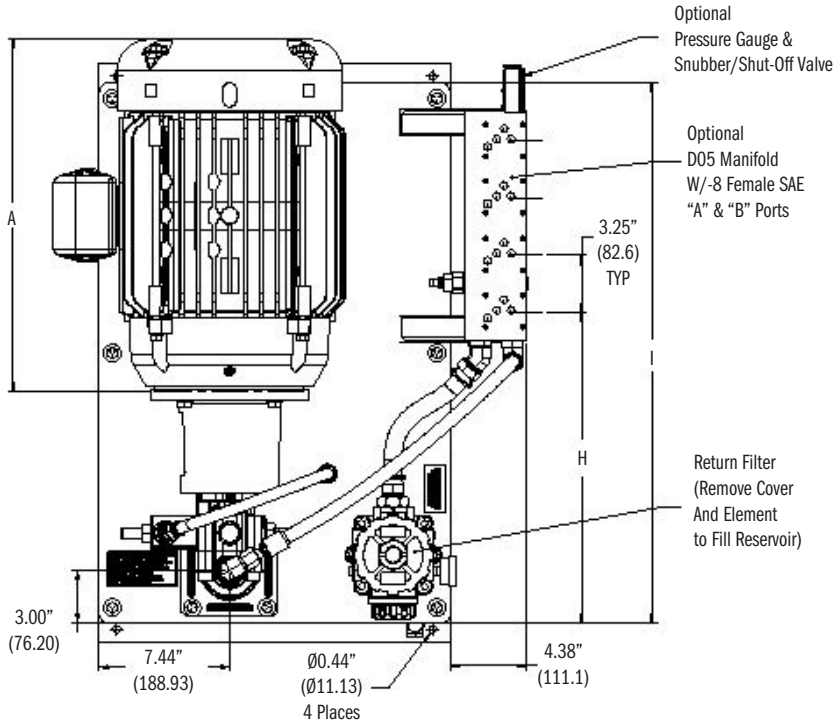
#1029267

Dimensions C through I

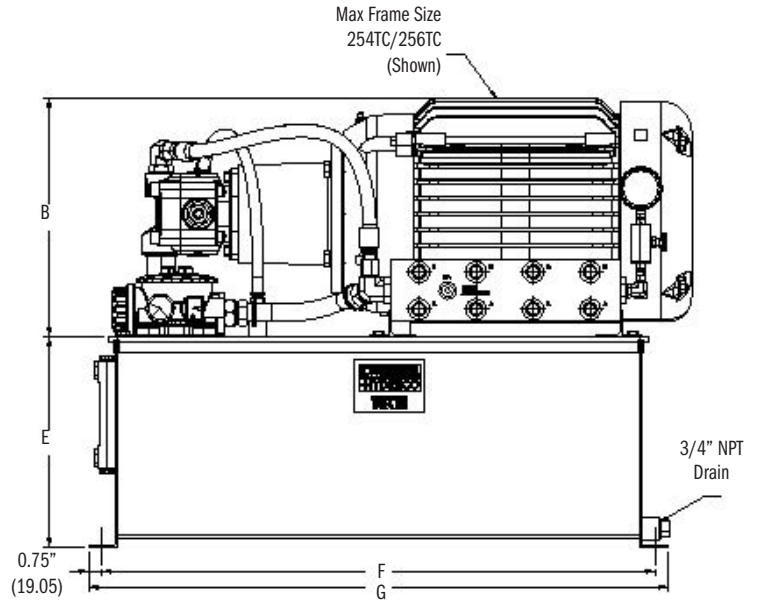
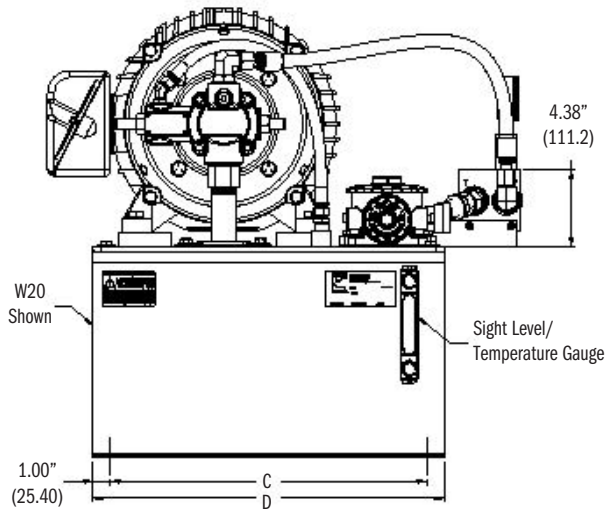
Reservoir	C	D	E	F	G	H	I
W10	16.00 (406.4)	18.00 (457.2)	9.00 (228.6)	25.50 (647.7)	27.00 (685.8)	16.38 (416.6)	24.25 (615.9)
W20	18.00 (457.2)	20.00 (508.0)	12.00 (304.8)	31.50 (800.1)	33.00 (838.2)	19.63 (492.3)	30.75 (793.7)
W30	22.00 (558.8)	24.00 (609.6)	12.00 (304.8)	37.50 (952.5)	39.00 (990.6)	22.50 (571.5)	36.50 (927.1)

► **FEATURES:**
VANE PUMP V5M4AR MANIFOLD

Dimensions:
inches (± .125")
millimeters (± 1 mm)



DIMENSIONS A and B			
MOTOR FRAME	H.P.	A (± .125")	B
56C	1/2	9.99 (253.8)	9.92 (252.0)
56C	3/4	9.99 (263.8)	10.44 (265.2)
56C	1	10.49 (266.5)	9.92 (252.0)
56C	1.5	11.49 (291.8)	9.92 (252.0)
56C	2	11.99 (304.6)	8.65 (219.7)
182TC	3	13.36 (339.3)	10.15 (257.8)
184TC	5	15.42 (391.7)	10.24 (260.1)
213TC	7.5	16.07 (408.2)	12.24 (310.9)
215TC	10	16.07 (408.2)	12.24 (310.9)
254TC	15	20.03 (508.8)	13.63 (346.2)
256TC	20	20.03 (508.8)	13.63 (346.2)



#1029280

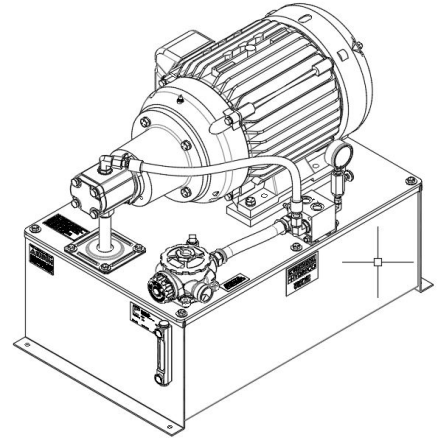
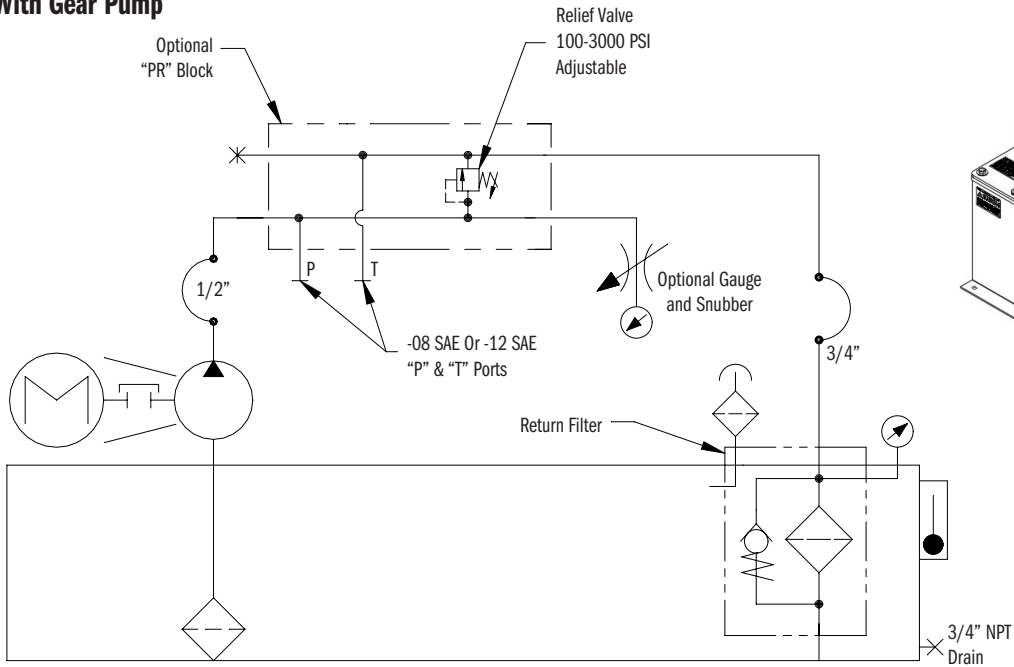
Dimensions C through I

Reservoir	C	D	E	F	G	H	I
W10	16.00 (406.4)	18.00 (457.2)	9.00 (228.6)	25.50 (647.7)	27.00 (685.8)	16.38 (416.6)	24.25 (615.9)
W20	18.00 (457.2)	20.00 (508.0)	12.00 (304.8)	31.50 (800.1)	33.00 (838.2)	19.63 (492.3)	30.75 (793.7)
W30	22.00 (558.8)	24.00 (609.6)	12.00 (304.8)	37.50 (952.5)	39.00 (990.6)	22.50 (571.5)	36.50 (927.1)

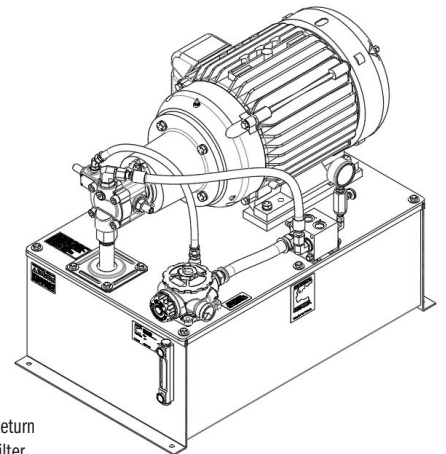
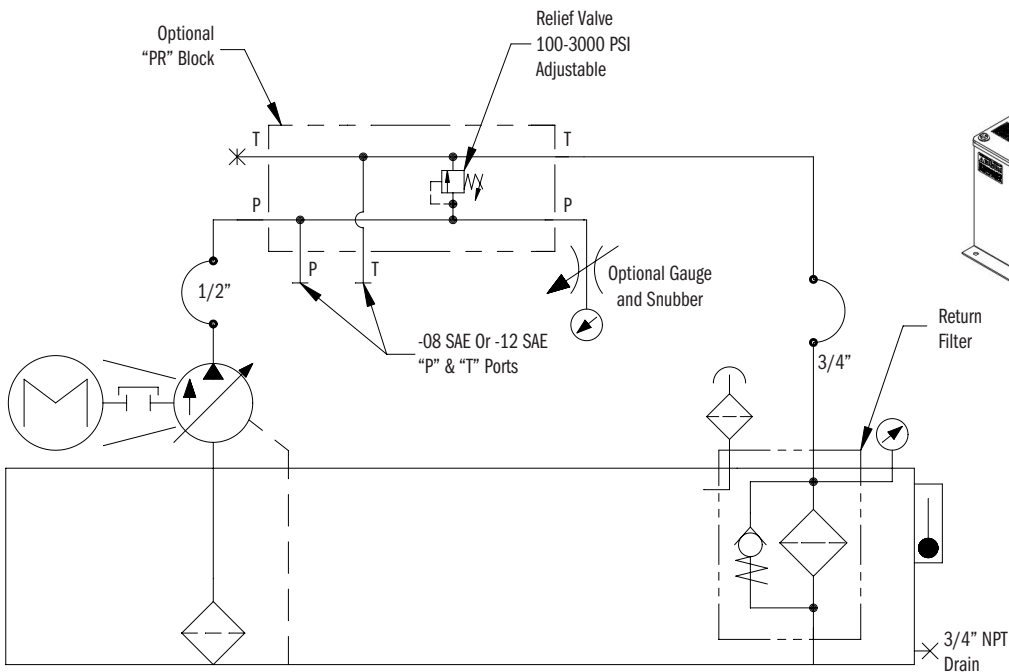
► **FEATURES:**

BASIC SCHEMATIC - PR BLOCK

With Gear Pump



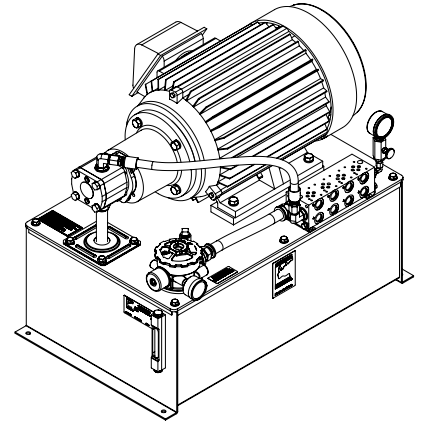
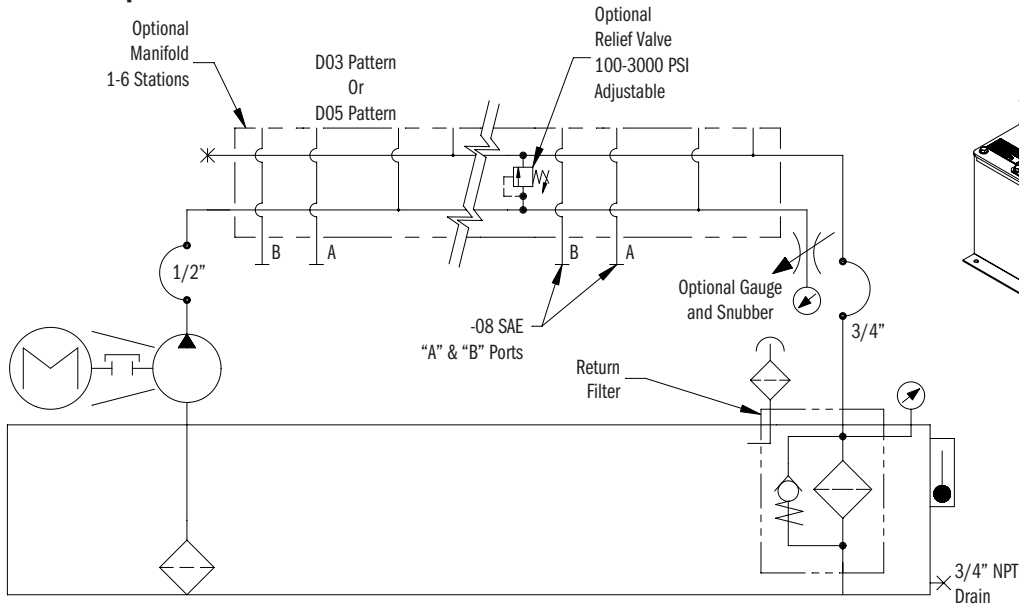
With Vane Pump



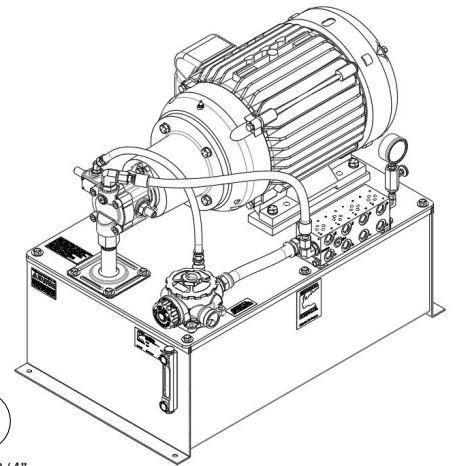
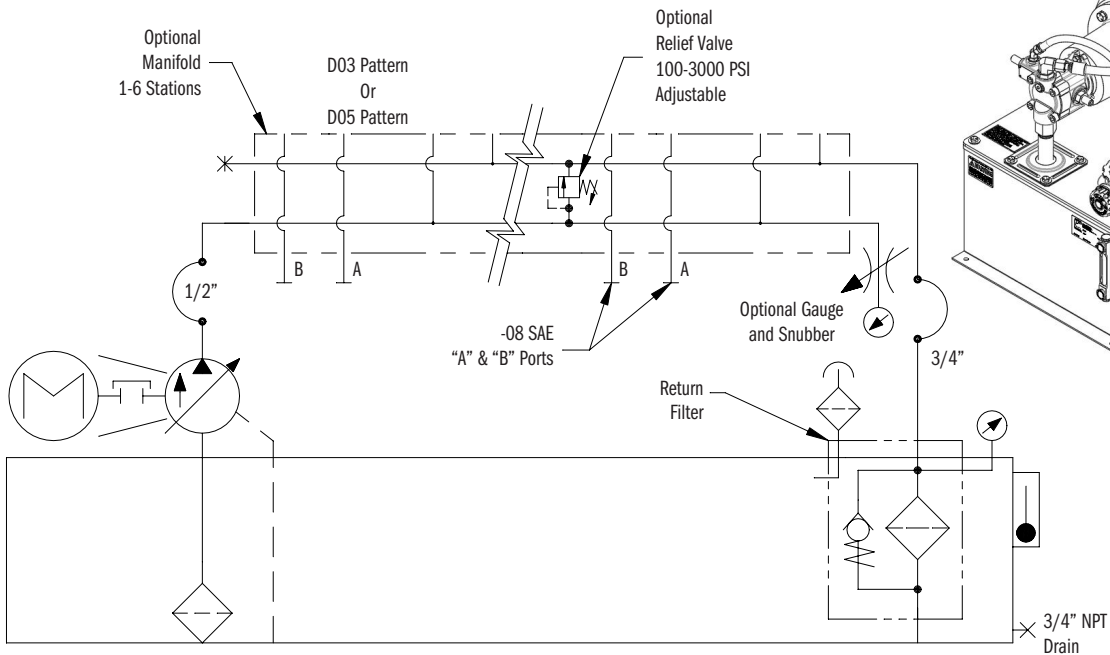
► **FEATURES:**

BASIC SCHEMATIC - V*M*AR MANIFOLD

With Gear Pump



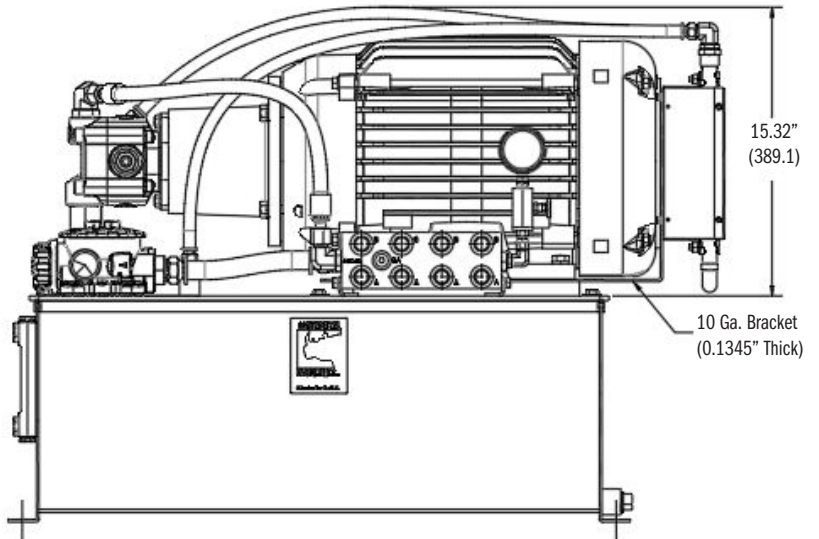
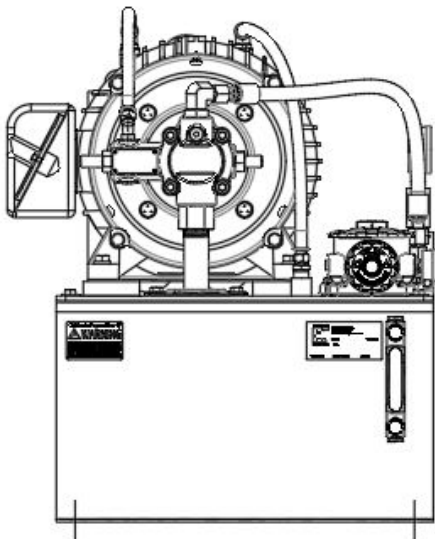
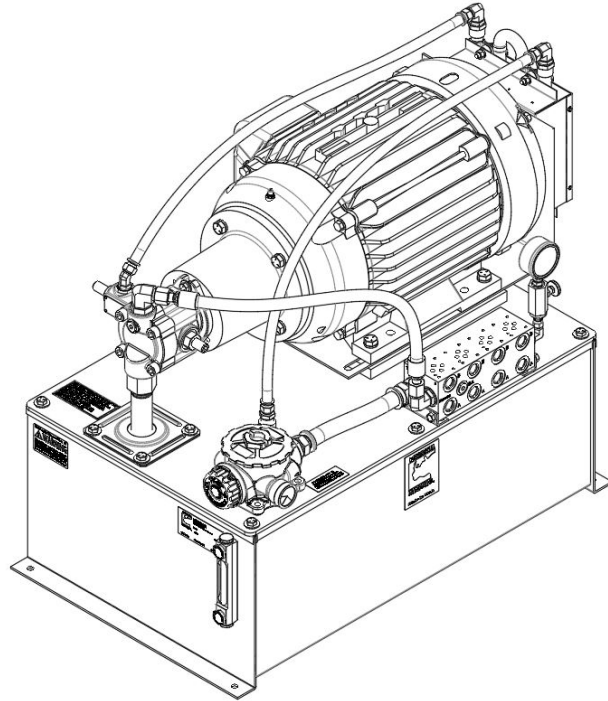
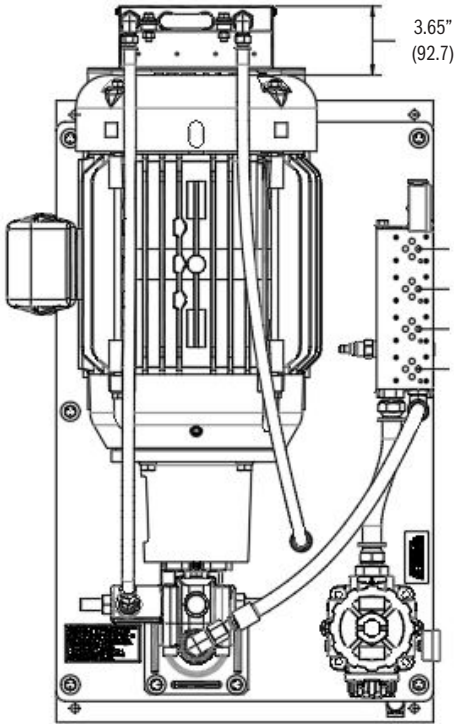
With Vane Pump



► **FEATURES:**
HEA44C CASE DRAIN COOLER

Dimensions:
inches (± .125")
millimeters (± 1 mm)

Works ONLY with Vane pumps for case drain cooling.

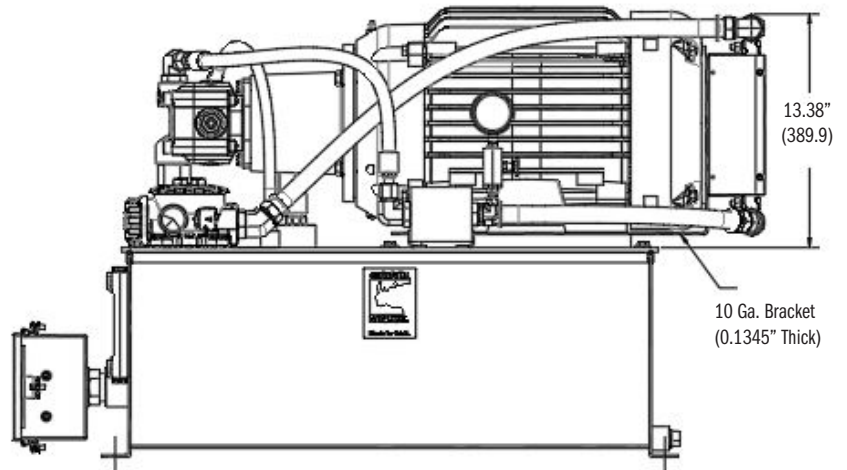
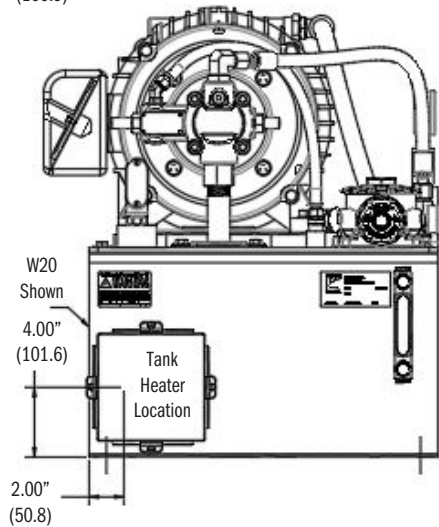
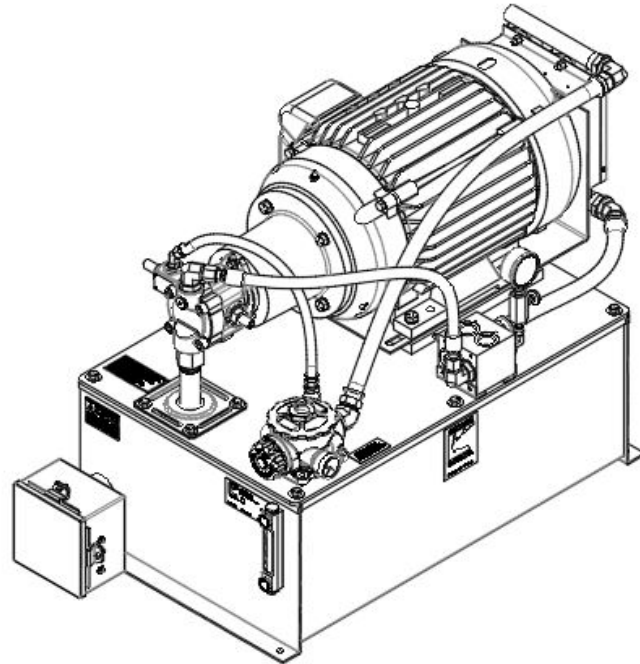
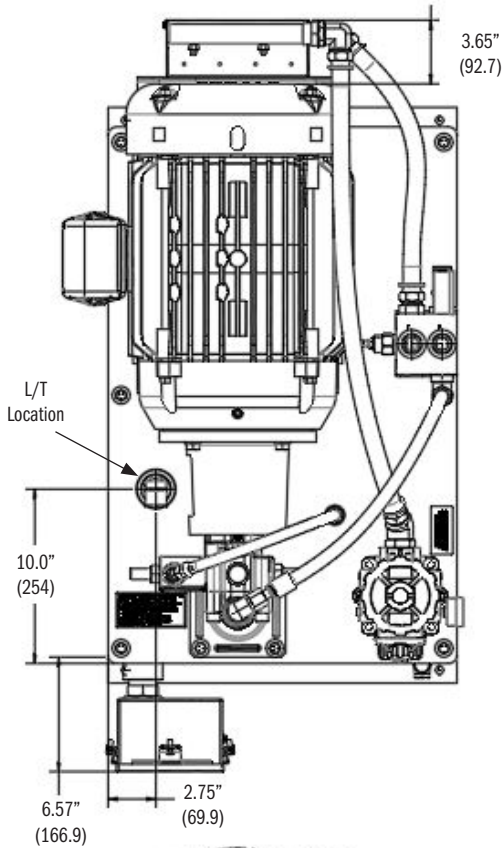


#1029271

► **FEATURES:**
HEA41R & (TH) TANK HEATER & LT

Dimensions:
inches (± .125")
millimeters (± 1 mm)

Works with all Vane or Gear pumps & any "PR" block or manifold for return oil cooling. Also Tank Heater general location & LT location.



#1029272



CONTINENTAL VALVE ACCESSORIES
Connectors and Cable Sets

Connectors and Cable Sets
Standard Directional Control Valves

Male Receptacles

VEA-3C-A Ø 19/0 1001848	VEA-3MH-A 13.0/0 1001849	VEA-3L4-A M12.5x19/0 1001850
--------------------------------------	---------------------------------------	---

Female Receptacles

VEA-3M-A Ø 19/0 264051 Ø 19, con'd	VEA-3L-A M12.5x19/0 264054 Ø 19, con'd	DIN Connector 43550 Form A / ISO 4400 VEA-3E-A (Grey) 165639 VEA-3F-A (Black) 165638
--	--	--

Cable Glands
VSD-HL-KDZ

PC11 ISO
Strain-Relief

VEA-DT06-CS-A
1021639DC
(Deutsch)

www.continentalhydraulics.com • sales@conthyd.com

1027453 04/10/22 1/5

Connectors and Cable Sets
Form #1027453

CONTINENTAL HYDRAULICS INC. / HYDRECO HYDRAULICS INC.
4895 12th Avenue East, Shakopee, Minnesota 55379
952.895.6400 • sales@conthyd.com • www.continentalhydraulics.com
704.295.7575 • sales-us@hydreco.com • www.hydreco.com

© 2023-2024 CONTINENTAL HYDRAULICS Inc., All Rights Reserved. Specifications/appearance are subject to change without notice.