



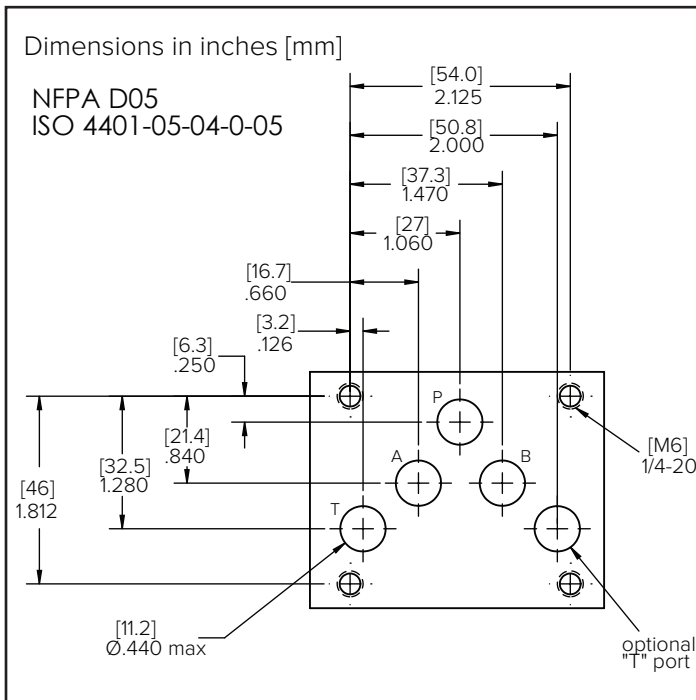
F05MSV-C

PRESSURE COMPENSATED FLOW CONTROL WITH REVERSE FLOW CHECK VALVE

MODULAR VERSION
NFPA D03 ISO 4401-03

P max **3000 PSI** **210 bar**
Q max **12 GPM** **45 l/min**

MOUNTING INTERFACE



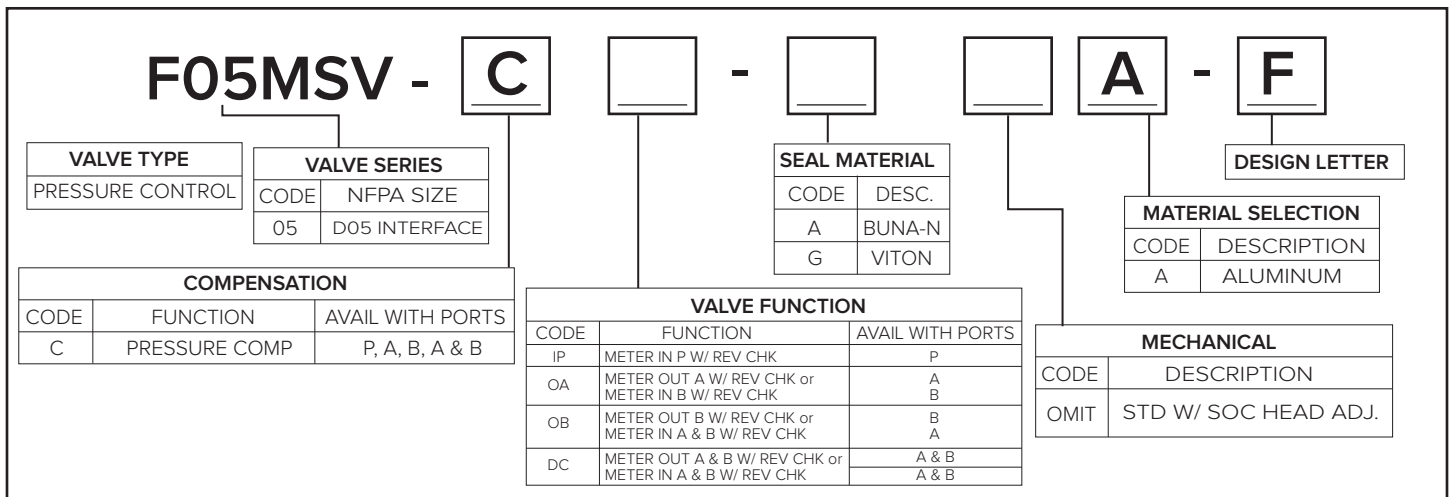
OPERATING PRINCIPLE

- The F05MSV-C series valves are pressure compensated, fully adjustable flow control valves with an integral reverse flow check valve. Valve conforms to NFPA D05/ISO 4401-05 standard for mounting interface.
- This valve maintains a constant flow rate regardless of system pressure or load changes.
- Sharp edge orifice minimizes flow variation due to changes in viscosity.
- Reverse flow will open the check at about 10 psi [.7 bar].
- Minimum leakage is .2 gpm [0.8 l/min] at shutoff.
- Balanced adjustment screw for easy adjustment at all pressures. Five turns of adjustment closed to fully open.

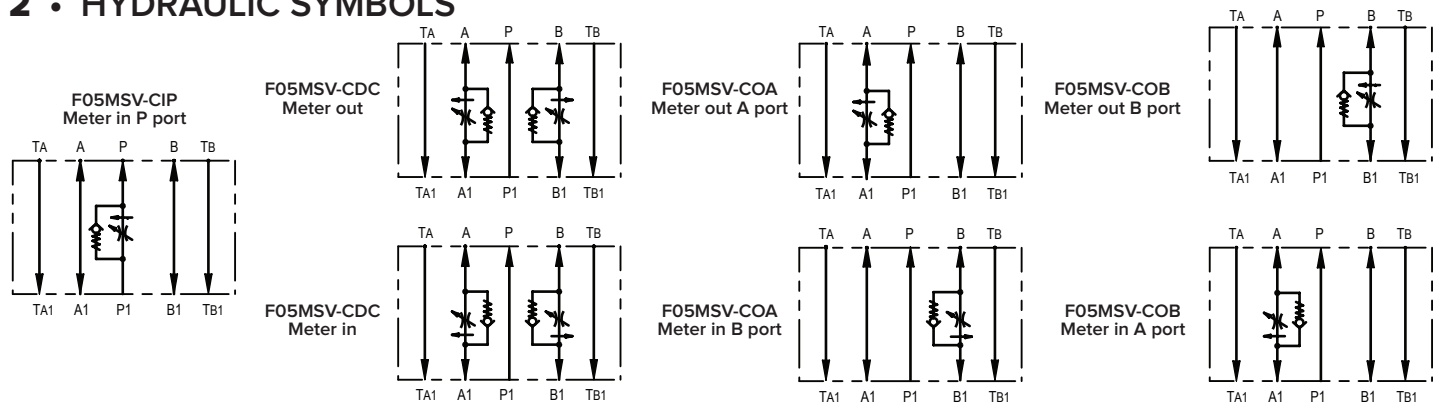
PERFORMANCES (measured with mineral oil of viscosity 36cSt at 120°F [50°C])

Maximum operating pressure	PSI [bar]	3000 [210]
Maximum flow rate	GPM [l/min]	12 [45]
Flow adjustment range	GPM [l/min]	.2 - 12 [0.8 - 45]
Adjustment range:	No. of CCW turns from closed to open	5
Ambient temperature range	°F [°C]	-4 to 140 [-20 to +60]
Fluid temperature range	°F [°C]	-4 to 176 [-20 to +80]
Fluid viscosity range	cSt	100 - 400
Fluid contamination degree	According to ISO 4406: 1999 class 19/17/14	
Recommended viscosity	cSt	25
Mass: F03MSV-C*C F03MSV-C*A, C*B	lbs [kg]	2.7 [1.22] 2.0 [0.91]

1 • IDENTIFICATION CODE



2 • HYDRAULIC SYMBOLS



3 • HYDRAULIC FLUIDS

Use mineral oil-based hydraulic fluids HL or HM type, according to ISO 6743-4. For these fluids, use NBR seals (code A). For fluids HFDR type (phosphate esters) use FPM seals (code G). For the use of other kinds of fluid such as HFA, HFB, HFC, please consult our technical department. Using fluids at temperatures higher than 176°F [80°C] causes a faster degradation of the fluid and of the seals characteristics.

The fluid must be preserved in its physical and chemical characteristics.

4 • OVERALL AND MOUNTING DIMENSIONS

