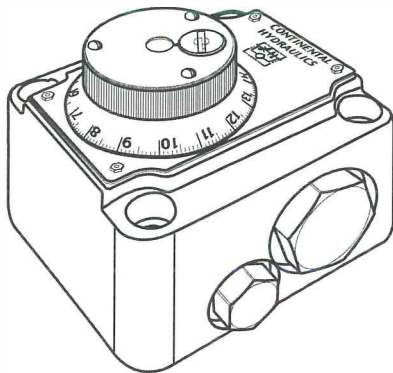


F12M FLOW CONTROL VALVE

LOCKABLE, PRESSURE COMPENSATED

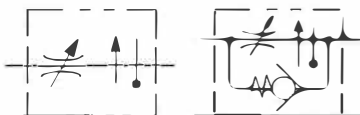


TYPICAL PERFORMANCE SPECIFICATIONS

FLOW RATES	Maximum	16.5 gpm	68 l/m
MINIMUM CONTROLLED FLOW		20 cipm	330 cc/m
MAXIMUM INTERNAL LEAKAGE & SHUTOFF @ 3000 psi	w/check	5 cipm	80 ml/m
	w/o	3 cipm	50 ml/m
MAXIMUM PRESSURE		3000 psi	207 bar
MINIMUM PRESSURE COMPENSATION		150 psi	10.3 bar
MOUNTING INTERFACE		NFDPA 2F06	
WEIGHT		8.5 lbs	3.8 kg

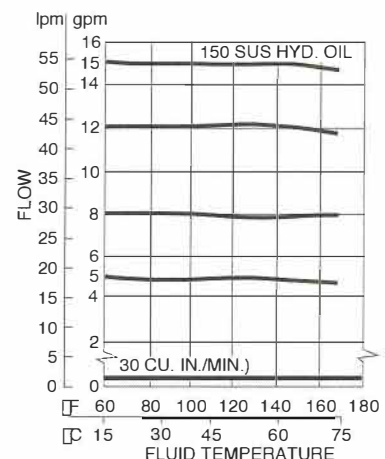
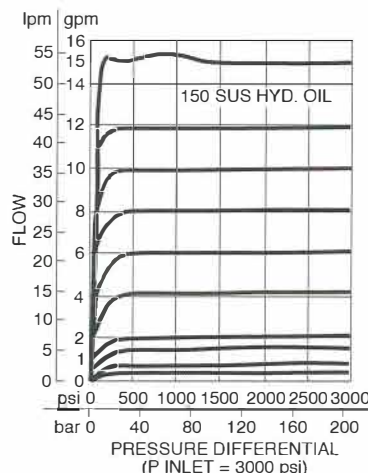
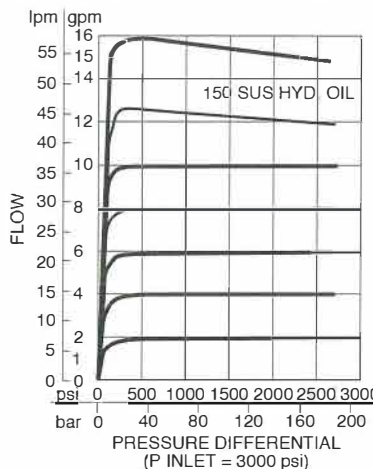
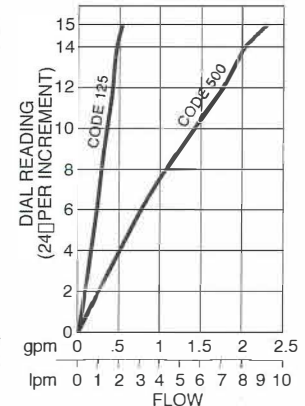
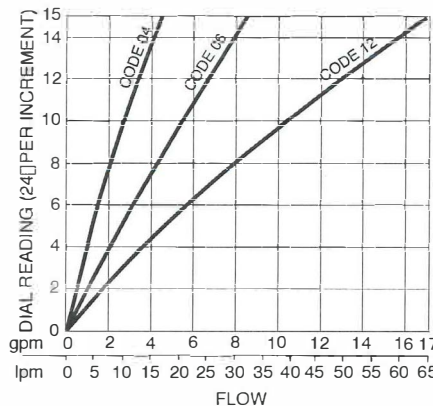
DESCRIPTION

The Flow Control Valve is pressure compensated to maintain constant flow out of the valve regardless of pressure changing to the inlet or outlet port. Exclusive internal pressure balancing allows easy adjustment of flow setting under pressure. Pressure compensation will maintain preset flow with 1 to 5%, depending on the basic flow range, as long as there is 150 psi pressure differential between the inlet and outlet ports. The dial is calibrated for easy and repeatable flow settings. Continental Hydraulics' unique sharp edged orifice design means that the valve is immune to temperature or fluid viscosity changes. This valve is internally drained, therefore, eliminating the drain piping.



NO CHECK

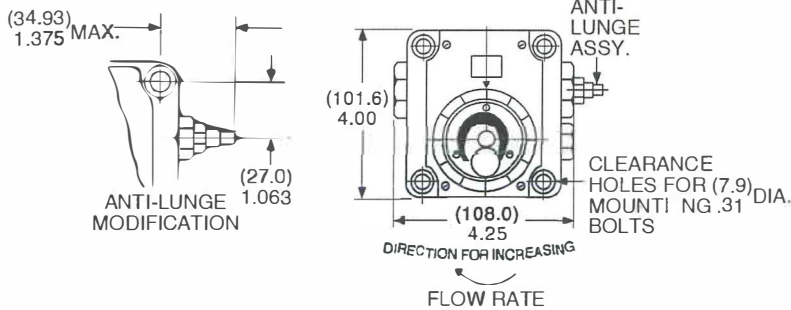
WITH CHECK



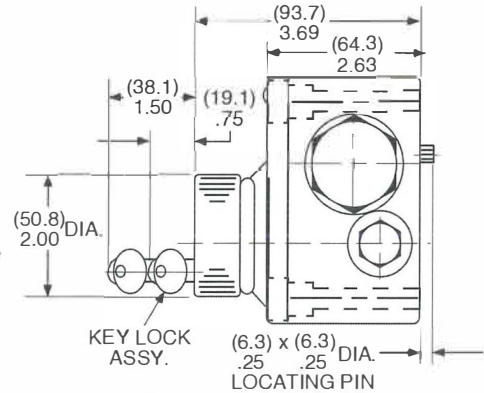
F12M

LOCKABLE, PRESSURE COMPENSATED

STANDARD DIMENSIONS



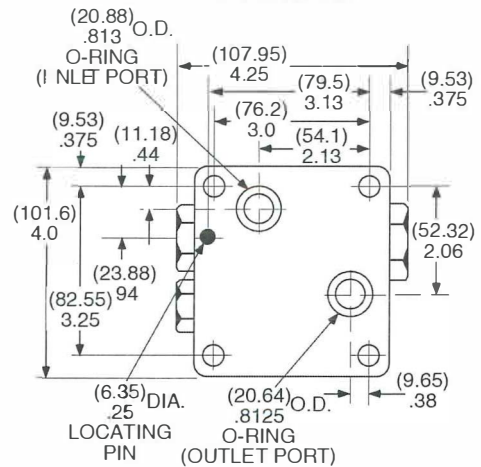
DIMENSIONS SHOWN IN: (MILLIMETERS)
INCHES



ANTI-LUNGE ASSEMBLY

When the flow control valve is initially activated, there is a very short time lapse before the pressure compensator spool reaches the controlling position. The anti-lunge device provides an adjustable mechanical stop to prevent the spool from over opening. Follow these steps to adjust the anti-lunge device:

1. Set the desired flow control speed setting;
2. Turn the device clockwise until the feed rate slows slightly;
3. Reverse the adjustment screw one-half turn.
4. Repeat these steps each time the flow setting



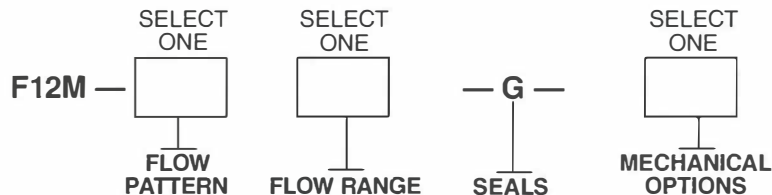
STANDARD KEY LOCK ASSEMBLY

This lock prevents tampering with the valve setting. Place the supplied allen head inch into the screw head and turn clockwise to lock the setting. Two keys are supplied and all locks will use the same key.

APPROXIMATE
FLOW CHANGE
PER DIAL
INCREMENT

SPOOL CODE	GPM
125	.03
500	.15
04	.25
08	.60
12	1.00

ORDERING INFORMATION



BASIC VALVE

- FLOW CONTROL
- PRESSURE/TEMP. COMPENSATED
- NFPA 2F06 MOUNTING
- 12 GPM NOMINAL FLOW
- 3000 PSI MAXIMUM OPERATING PRESSURE

CODE	OPTION	CODE	MAX.		CODE	DESCRIPTION
A	w/o	125	125 cipm	VITON SEALS STANDARD	OMIT	STANDARD KEY LOCK
	Return	500	500 cipm			
	Check	04	4 gpm			
B	With	08	8 gpm		F	ANTI-LUNGE & STD. KEY LOCK
	Return Check	12	12 gpm			

NOTES:

- Use subplate No. S2F06-050-B.
- 1/2" NPT, Bottom ported.
- Bolt kit B2F06-225.

TYPICAL ORDERING CODE: **F12M-A04-G-F**

4895 12th Avenue East, Shakopee, MN 55379 / continentalhydraulics.com / 952-895-6400