

VALVE BOLT KITS

D03 Size Valve Only

D03 VALVE TYPE	D03 ONLY BOLT KIT NEEDED		(4) SCR CAP HEX SCH 10-24 X
	ITEM #	DESCRIPTION	BOLT LENGTH
VSD03M, VAD03M, VPD03M, VMD03M, VSD03M-EXA	121472	BD03-100-C	1 Inch
VS6M, VSD03HL, VSD03L, VSD03M SOFT SHIFT, VSD03S	1008406	BD03-125-C	1-1/4 Inch
VSD03M-EX	257387	BD03-175-C	1-3/4 Inch
VED03JL, VED03MG, VED03GH, VED03MJ, VED03JH, VED03M, VED03MX, VED03XH, VED03MK, VED03HL	1008406	BD03-125-C	1-1/4 Inch

D03 Plus 1 Stack Valve

with 40mm height BOLT KIT NEEDED		(4) SCR CAP HEX SCH 10-24 X
ITEM #	DESCRIPTION	BOLT LENGTH
1016258	BD03-275-C	2-3/4 Inch
1021512	BD03-300-C	3 Inch
1031221	BD03-350-C	3-1/2 Inch
1021512	BD03-300-C	3 Inch

D03 Plus 2 Stack Valves

with 40mm height BOLT KIT NEEDED		(4) SCR CAP HEX SCH 10-24 X
ITEM #	DESCRIPTION	BOLT LENGTH
258387	BD03-4125-C	4-1/8 Inch
1026039	BD03-438-C	4-3/8 Inch
1031222	BD03-500-C	5 Inch
1026039	BD03-438-C	4-3/8 Inch

STUD KIT	ITEM #	DESCRIPTION	BOLT LENGTH
D03 2+ STACKS USED	1026124	BD03-STUD	(4) STUD ROD 10-24 X 12 Inch LG
	251006	STUD NUT BD03	(1) STUD NUT Allenut 10-24

D05 Size Valve Only

D05 VALVE TYPE	D05 ONLY BOLT KIT NEEDED		(4) SCR CAP HEX SCH 1/4-20 X
	ITEM #	DESCRIPTION	BOLT LENGTH
VSD05M	131110	BD05-175-B	1-3/4 inch
VSD05S, VAD05M, VMD05M, VSD05M SOFT SHIFT	131110	BD05-175-B	1-3/4 inch
VSD05HL, VSNG10	1019657	BD05-150-B	1-1/2 inch
VED05M, VED05MG, VED05MJ, VED05MX	131110	BD05-175-B	1-3/4 inch

D05 Plus 1 Stack Valve

with 50mm height BOLT KIT NEEDED		(4) SCR CAP HEX SCH 1/4-20 X
ITEM #	DESCRIPTION	BOLT LENGTH
132850	BD05-375-B	3-3/4 Inch
132850	BD05-375-B	3-3/4 Inch
1026045	BD05-350-C	3-1/2 Inch
132850	BD05-375-B	3-3/4 Inch

D05 Plus 2 Stack Valves

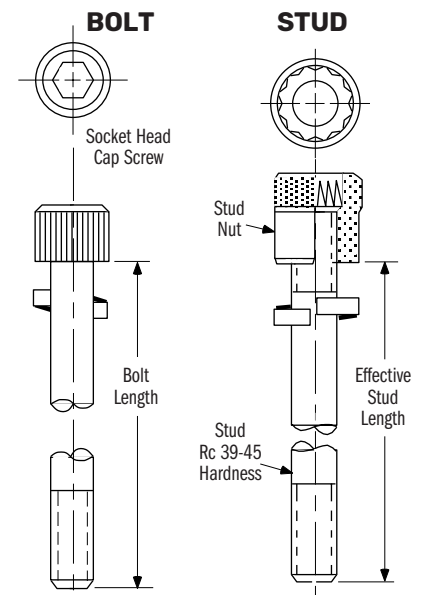
with 50mm height BOLT KIT NEEDED		(4) SCR CAP HEX SCH 1/4-20 X
ITEM #	DESCRIPTION	BOLT LENGTH
1026042	BD05-575-C	5-3/4 Inch
1026042	BD05-575-C	5-3/4 Inch
1031225	BD05-550-C	5-1/2 Inch
1026042	BD05-575-C	5-3/4 Inch

STUD KIT	ITEM #	DESCRIPTION	BOLT LENGTH
D05 2+ STACKS USED	1026126	BD05-STUD	(4) STUDROD 1/4-20 X 12 Inch LG
	145043	STUD NUT BD05	(1) STUD NUT Allenut 1/4-20

NOTE:
All Bolt Kits include lock washers

Pilot Operated Valves D05H to D11 Sizes

PILOT OPERATED VALVE TYPE	BOLT KIT NEEDED		BOLT LENGTH
	ITEM #	DESCRIPTION	
VSD05AM, VSD05BM, VPD05AM, VPD05BM, VSD05*HL, VSD05*S	1009397	BD05H-150-B	(4) SCR CAP HEX SCH 1/4-20 X 1-1/2 inch
VSD07M, VPD07M, VSD07*HL, VSD07S	1009400	BD07-250-A	(4) SCR CAP HEX SCH 3/8-16 X 2-1/2 Inch (2) SCR CAP HEX SCH 1/4-20 X 2 Inch
VSD08M, VPD08M, VSD08*HL, VSD08S	250141	BD08-275-A	(6) SCR CAP HEX SCH 1/2-13 X 2-3/4 Inch
VSD10, VPD10M, VSD10*HL, VSD10S	1031217	BD10-300-B	(6) SCR CAP HEX SCH 3/4-10 X 3 Inch
VED05AM*, VED05BM*	1009397	BD05H-150-B	(4) SCR CAP HEX SCH 1/4-20 X 1-1/2 inch
VED07M*	1031218	BD07-200-A	(4) SCR CAP HEX SCH 3/8-16 X 2 Inch (2) SCR CAP HEX SCH 1/4-20 X 2 Inch
VED08M*	250141	BD08-275-A	(6) SCR CAP HEX SCH 1/2-13 X 2-3/4 Inch
VED10M*/VED11M*	1031217	BD10-300-B	(6) SCR CAP HEX SCH 3/4-10 X 3 Inch



CONTINENTAL HYDRAULICS INC. / HYDRECO INC.

4895 12th Avenue East, Shakopee, Minnesota 55379

952.895.6400 • sales@conthyd.com • www.continentalhydraulics.com • www.hydreco.com

© 2025 - 2026 CONTINENTAL HYDRAULICS Inc. All Rights Reserved. Product specifications and appearance are subject to change without notice.