

# HPVR-15 AXIAL PISTON PUMPS



The HPVR series of inline axial piston variable displacement pumps, are available in five displacements and three compact frame sizes.

These pumps feature medium-high working pressure capabilities that will meet most applications.

The output flow and pressure is controlled by a variety of control options, and can easily work in conjunction with external control components making them the perfect choice for almost any application.

The HPVR series pumps are available in both SAE and ISO mounting 2 bolt patterns. Porting is available in rear and side locations as well as thru-drive configurations.

TYPICAL PERFORMANCE SPECIFICATIONS			
VOLUMETRIC DISPLACEMENT		cu. In./rev.	2.09
		ml/rev.	34.2
PUMP DELIVERY @ 1750 RPM	Theoretical	GPM	16.6
		LPM	62.8
OPERATING PRESSURES	Intermittent*	PSI	4500
		BAR	310
	Continuous	PSI	4000
		BAR	276
	Minimum**	PSI	200
		BAR	14
OPERATING SPEEDS		Maximum RPM	See Below
		Rated RPM	1750
		Minimum RPM	500
INPUT POWER @ 1750 RPM (Rated Flow and Pressure)		HP	42
		Kw	31.3
CASE DRAIN FLOW @ Deadhead & Rated Pressure		GPM	0.95
		LPM	3.6
MOUNTING FLANGE		SAE Type	B 2 Bolt
	DRIVE SHAFT	Keyed Shaft SAE J744 B	0.875
Spline Shaft SAE B		.8125 13 TOOTH	
SHIPPING WEIGHTS	REAR PORTS	lbs	51
		kg	23.2
	SIDE PORTS	lbs	63
		kg	28.6
	TANDEM	lbs	69
		kg	31.3

\* This pressure should not exceed 10% of the duty cycle and not exceed 6 consecutive seconds.

\*\* Pumps operating at less than 150 PSI (10 Bar) may overheat and shorten pump life.

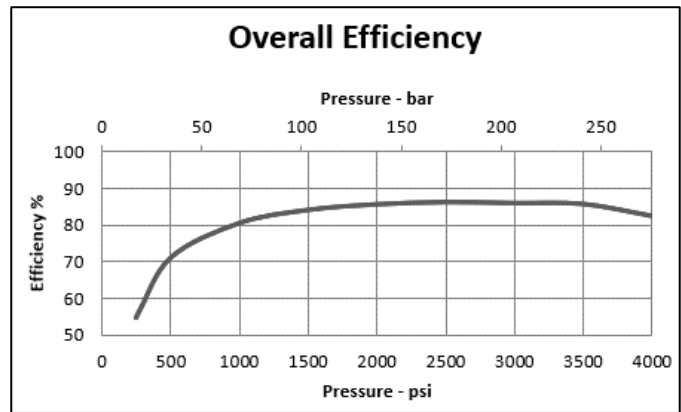
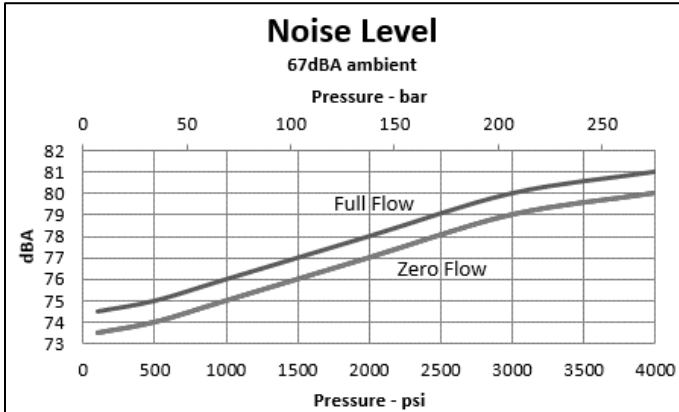
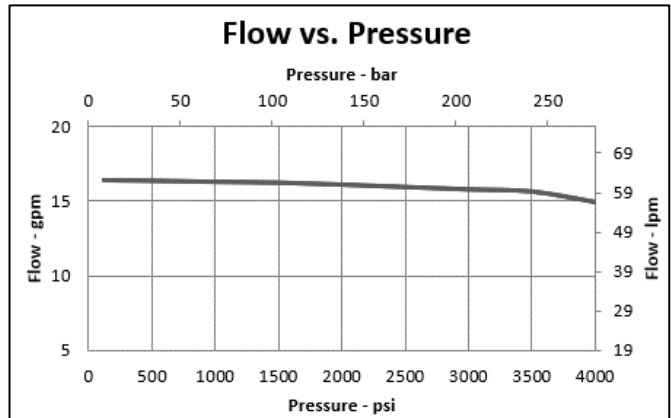
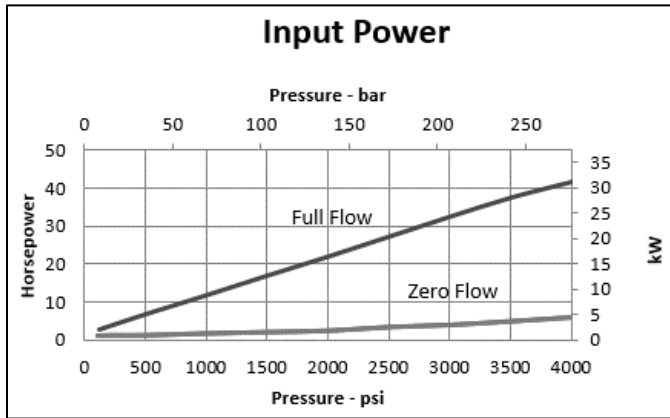
## CASE AND INLET PORT SPECIFICATIONS

SPEED rpm	Minimum Inlet Pressure					Maximum Case Pressure			
	Pressure Gauge			Absolute Pressure		psi		bar	
	psi	bar	in.-Hg	mm-Hg	psi	bar	psi	bar	
1800	-3	-0.21	-6.12	-155.46	11.7	0.81	10	0.69	
2100	-3	-0.21	-6.12	-155.46	11.7	0.81	7	0.48	
2230	-3	-0.21	-6.12	-155.46	11.7	0.81	5	0.34	
2275	-2.53	-0.17	-5.16	-130.95	12.17	0.84	5	0.34	
2350	-1.71	-0.12	-3.49	-88.67	12.99	0.9	5	0.34	
2500	0.00	0.00	0.00	0.00	14.7	1.01	5	0.34	

## PRESSURE AND VOLUME ADJUSTMENT SENSITIVITY

Pressure Adjustment	Pressure Change / Turn	650 PSI	44.8 Bar
Volume Adjustment	Flow Change / Turn	1.8 GPM	6.8 LPM
	Maximum Torque	41 in.-lbs	4.6 Nm

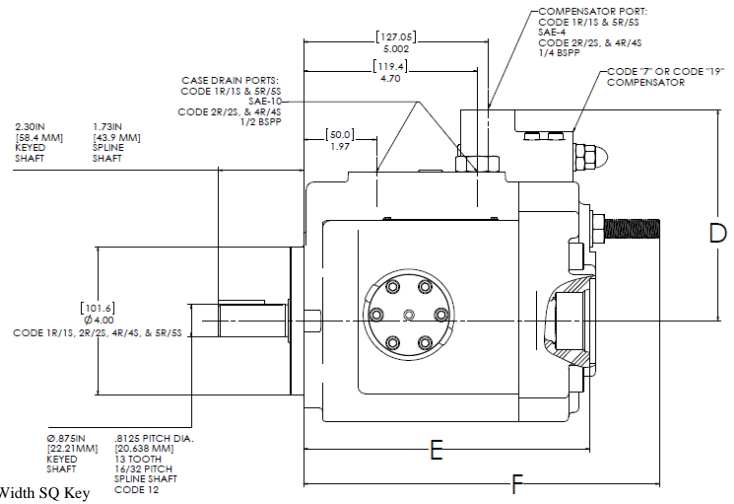
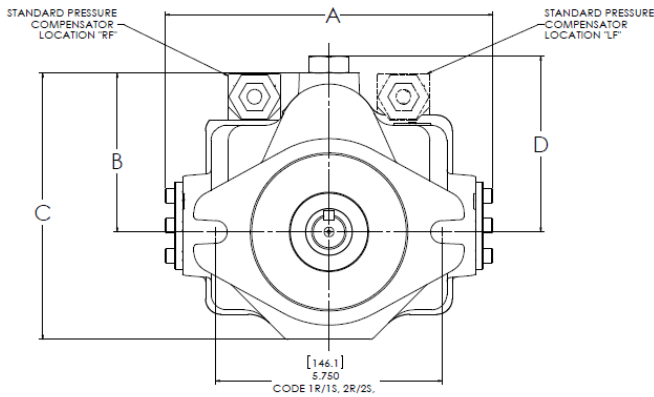
# HPVR-15 AXIAL PISTON PUMPS



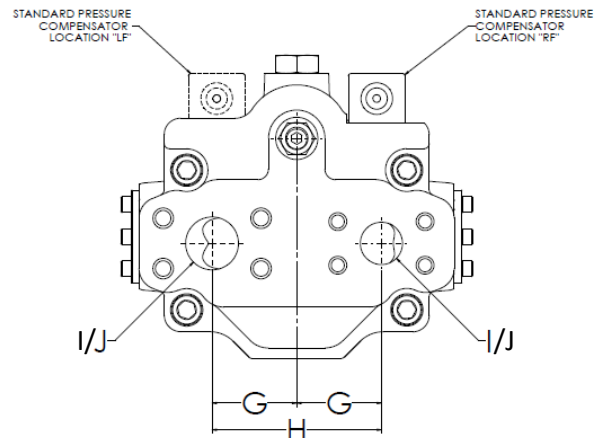
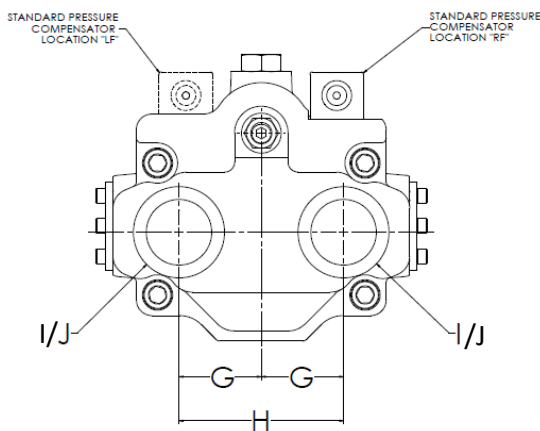
Data taken at 1750 RPM

# HPVR-15 AXIAL PISTON PUMPS

## Rear Port Dimension Data



Dimensional Reference Data	Inch (mm)
<b>A</b>	8.31 (211.1)
<b>B</b>	4.02 (102.1)
<b>C</b>	6.74 (171.2)
<b>D (STD Pressure Compensator)</b>	4.45 (113)
<b>D (Code 7 Remote &amp; Code 19 Load Sense)</b>	5.73 (145.5)
<b>E</b>	7.73 (196.3)
<b>F</b>	9.62 (244.3)



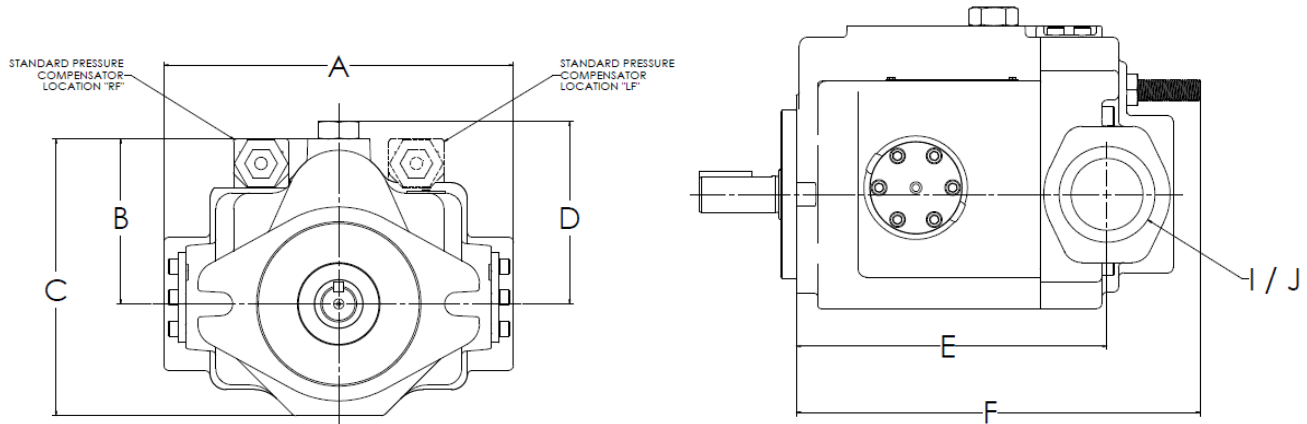
Dimensional Reference Data	Inch (mm)
<b>G</b>	2.06 (52.4)
<b>H</b>	4.125 (104.8)
<b>I / J Code 1R - Rear SAE Porting</b>	SAE-20
<b>I / J Code 2R- Rear BSPP Porting</b>	1-1/4 BSPP
<b>I Code 4R - Rear 4 Bolt Flange (Metric Threads)</b>	1-1/4 SF
<b>I Code 5R - Rear 4 Bolt Flange (UNC Threads)</b>	1-1/4 SF
<b>J Code 4R - Rear 4 Bolt Flange (Metric Threads)</b>	1 SF
<b>J Code 5R - Rear 4 Bolt Flange (UNC Threads)</b>	1 SF

Note: All Rear Port Flange Code 61.

NOTE: I = Inlet Port, J = Outlet Port

# HPVR-15 AXIAL PISTON PUMPS

## Side Port Dimension Data

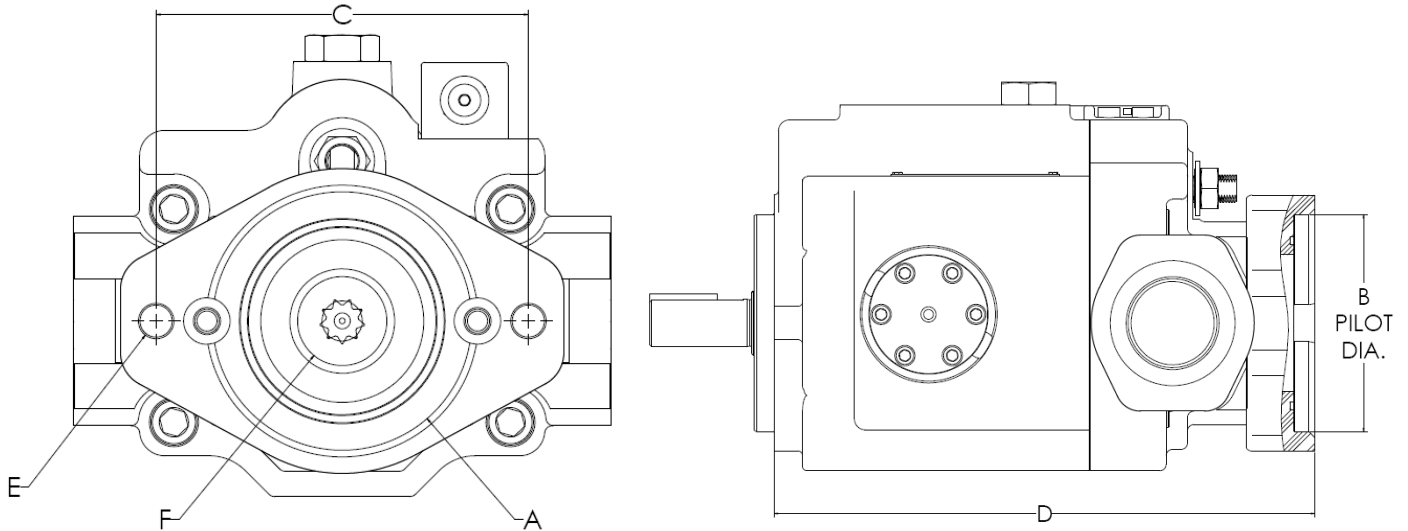


Dimensional Reference Data	Inch (mm)
<b>A</b>	8.31 (211)
<b>B</b>	4.02 (102.1)
<b>C</b>	6.74 (171.2)
<b>D</b> (STD Pressure Compensator)	4.43 (112.5)
<b>D</b> (Code 7 Remote & Code 19 Load Sense)	5.69 (144.5)
<b>E</b>	7.35 (186.7)
<b>F</b>	9.627 (244.5)
<b>I / J</b> Code 1S - Side SAE Porting	SAE-20
<b>I / J</b> Code 2S - Side BSPP Porting	1 1/4 BSPP
<b>I</b> Code 4S - Side 4 Bolt Flange (Metric Threads)	1 1/4 SF
<b>I</b> Code 5S - Side 4 Bolt Flange (UNC Threads)	1 1/4 SF
<b>J</b> Code 4S - Side 4 Bolt Flange (Metric Threads)	1 SF
<b>J</b> Code 5S - Side 4 Bolt Flange (UNC Threads)	1 SF

Note: Suction Flange code 61 and Pressure Flange code 62.

NOTE: I = Inlet Port, J = Outlet Port

# HPVR-15 AXIAL PISTON PUMPS



CODE	MOUNTING PAD	DIMENSIONS Inches (mm)				Thread	30° Involute Internal Spline	Maximum H.P. Rating* (at 1750 RPM)	Maximum Torque Rating* (in-lbs)
		A	B	C	D				
21	SAE "A"	3.25 (82.6)	4.18 (106.2)	9.81 (249.1)	3/8-16 UNC	9 Tooth 16/32 Pitch 0.5625 Dia.	8.5	306	
22	SAE "B"	4.00 (101.6)	5.75 (146.1)	9.97 (253.2)	1/2-13 UNC	13 Tooth 16/32 Pitch 0.8125 Dia.	28.1	1012	
31	SAE "A"	3.25 (82.6)	4.18 (106.2)	9.81 (249.1)	3/8-16 UNC	13 Tooth 16/32 Pitch 0.8125 Dia.	28.1	1012	
21D	SAE "A"	3.25 (82.6)	4.18 (106.2)	9.81 (249.1)	M10	9 Tooth 16/32 Pitch 0.5625 Dia.	8.5	306	
22D	SAE "B"	4.00 (101.6)	5.75 (146.1)	9.97 (253.2)	M12	13 Tooth 16/32 Pitch 0.8125 Dia.	28.1	1012	
31D	SAE "A"	3.25 (82.6)	4.18 (106.2)	9.81 (249.1)	M10	13 Tooth 16/32 Pitch 0.8125 Dia.	28.1	1012	

\* This is the maximum horsepower or torque that can be transmitted through the shaft coupling to the rear pump

# HPVR-15 AXIAL PISTON PUMPS



**HPVR** -  -  -  -  -    -

SELECT ONE      SELECT ONE      SELECT ONE      SELECT ONE      SELECT ONE      SELECT ONE      SELECT ONE      DESIGN LETTER

SIZE			
CODE	FLOW AT 1750 RPM	MAXIMUM PRESSURE	DISPLACEMENT
15B40	15.8 GPM	4000 PSI	in <sup>3</sup> /rev 2.09
			cm <sup>3</sup> /rev 34.2

ROTATION	
CODE	DESCRIPTION
RF	CW ROTATION (STD)
LF	CCW ROTATION

SEALS	
CODE	DESCRIPTION
O	BUNA-N (STD)
P	VITON

PORT OPTIONS	
CODE	DESCRIPTION
1R	SAE B 2 BOLT MOUNTING FLANGE (STD) SAE O-RING THREAD CASE DRAIN REAR SAE O-RING THREAD PORTS
2R	SAE B 2 BOLT MOUNTING FLANGE BRITISH STD PIPE (BSPP) THREAD CASE DRAIN REAR BRITISH STD PIPE (BSPP) THREAD PORTS
4R	SAE B 2 BOLT MOUNTING FLANGE BRITISH STD PIPE (BSPP) THREAD CASE DRAIN REAR SAE 4 BOLT FLANGE (METRIC THREADS)
5R	SAE B 2 BOLT MOUNTING FLANGE SAE O-RING THREAD CASE DRAIN REAR SAE 4 BOLT FLANGE (UNC THREADS)
1S	SAE B 2 BOLT MOUNTING FLANGE SAE O-RING THREAD CASE DRAIN SIDE SAE O-RING THREAD SIDE PORTS
2S	SAE B 2 BOLT MOUNTING FLANGE BRITISH STD PIPE (BSPP) THREAD CASE DRAIN SIDE BRITISH STD PIPE (BSPP) THREAD PORTS
4S	SAE B 2 BOLT MOUNTING FLANGE BRITISH STD PIPE (BSPP) THREAD CASE DRAIN SIDE SAE 4 BOLT FLANGE (METRIC THREADS)
5S	SAE B 2 BOLT MOUNTING FLANGE SAE O-RING THREAD CASE DRAIN SIDE SAE 4 BOLT FLANGE (UNC THREADS)

See Dimensional pages for Port Sizes and Code Type

CONTROL OPTIONS	
CODE	DESCRIPTION
OMIT	PRESSURE COMPENSATOR (STD)
7	REMOTE COMPENSATOR
19	LOAD SENSING COMPENSATOR

TANDEM	
CODE	DESCRIPTION
OMIT	NO TANDEM OPTION (STD)
21	SAE "A" FLANGE PUMP MOUNT (UNC THREADS) SAE A SPLINE SHAFT COUPLING
22	SAE "B" FLANGE PUMP MOUNT (UNC THREADS) SAE B SPLINE SHAFT COUPLING
31	SAE "A" FLANGE PUMP MOUNT (UNC THREADS) SAE B SPLINE SHAFT COUPLING
21D	SAE "A" FLANGE PUMP MOUNT (METRIC THREADS) SAE A SPLINE SHAFT COUPLING
22D	SAE "B" FLANGE PUMP MOUNT (METRIC THREADS) SAE B SPLINE SHAFT COUPLING
31D	SAE "A" FLANGE PUMP MOUNT (METRIC THREADS) SAE B SPLINE SHAFT COUPLING

SHAFT	
CODE	DESCRIPTION
OMIT	STRAIGHT KEY (STD) SAE J744 C .875 inch SHAFT
12	FRONT MALE SPLINE SAE B: 13 TOOTH 16/32 Pitch

FORM NO. 1022375AD REV 12/2020 © CONTINENTAL HYDRAULICS INC. ALL RIGHTS RESERVED.  
PRODUCT SPECIFICATIONS AND PERFORMANCE SUBJECT TO CHANGE WITHOUT NOTICE.