

NFPA/JIC Style

Hydraulic Power Units

Power Units	NFPA / JIC
Size	10 to 210 gallons
Max Pressure	Up to 4,000 PSI
Flow Rate	1-75 GPM
Power	1-125 HP

► DESCRIPTION:

Most basic design that is efficient, rugged, and easy to maintain. We stock a wide selection of components for competitive pricing and delivery.

Hydraulic Valve Variety:

Sizes D03, D05, D07, D08, on-off and proportional.

Gear pumps: .5 GPM to 12 GPM up to 3600 PSI

Vane pumps: 1-75 GPM up to 3000 PSI

Piston pumps: 6-29 GPM up to 4000 PSI

► KEY FEATURES:

- System flow up to 5000 GPM, and pressure to 5000 PSI
- Testing to and beyond 200 HP including international voltages
- Fluids and compatible seals, water glycol, phosphate ester, mineral, ATF, and more
- Drawing in SolidWorks format at AutoCAD DWG/DXF
- Assemblers are CFPS and over 20 years experience each
- 18 months warranty on power units, 36 months on Continental components
- Documented and tested 100%
- Motor controls and panels
- Motor starters with system accessories
- Easily customized to customer specification and accessories

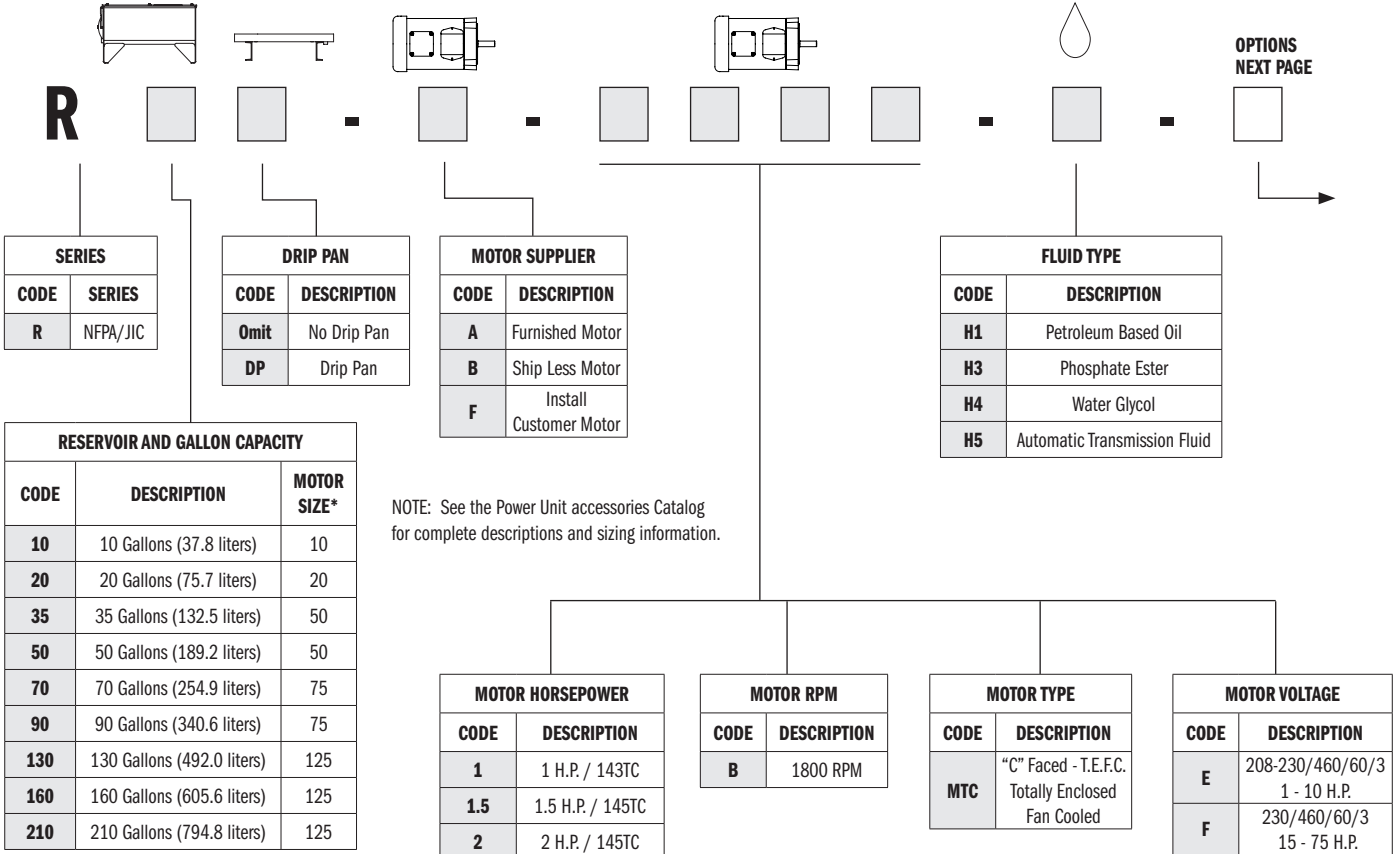
NFPA/JIC



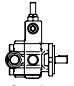
► TABLE OF CONTENTS:

Table of Contents	1
Ordering Code Information	2-3
Features and Schematic	4-5
10 Gallon Capacity Power Units	6-7
20 Gallon Capacity Power Units	8-13
35/50 Gallon Capacity Power Units	14-31
50 Gallon Capacity Power Units	32-33
70 Gallon Capacity Power Units	34-45
90 Gallon Capacity Power Units	46-57
130/160 Gallon Capacity Power Units	58-65
210 Gallon Capacity Power Units	66-73

► **IDENTIFICATION CODE: Ordering Information - Standard**



Select vane or piston pump from the appropriate Continental Hydraulics Pump Catalogs.



NOTE: Pump and motor ranges listed for each reservoir size are standard combinations. For special combinations, please discuss your application with your Continental Hydraulics distributor or the factory.

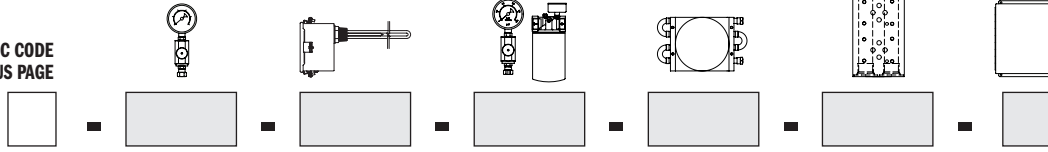
TYPICAL ORDERING CODE:

R90-A-20BMTCF-H1-G2N-FRC80-V3M5AR-MS (Power Unit)
PVR15-20B15-RF-0-5 (Vane Pump)
VSD03M-3A-GB-33L (Directional Control Valve - Qty. 1)
F05MSV-NDC-AA (Flow Control Valve - Qty. 1)
BD05-400 (Bolt Kit - Qty. 1)
VSD05M-3F-6B-33L (Directional Control Valve - Qty. 1)
BD05-175 (Bolt Kit - Qty. 1)
MS-20-460-3-4 (Motor Starter - Qty. 1)

NOTE: Pump and motor ranges listed for each reservoir size are standard combinations. For special combinations, please discuss your application with your Continental Hydraulics distributor or the factory.

► **IDENTIFICATION CODE: Ordering Information - Options**

BASIC CODE
PREVIOUS PAGE



PRESSURE	
CODE	DESCRIPTION
Omit	No Options
G1	Pressure Gauge 0 - 1000 psi, SAE-4
G1.5	Pressure Gauge 0 - 1500 psi, SAE-4
G2	Pressure Gauge 0 - 2000 psi, SAE-4
G3	Pressure Gauge 0 - 3000 psi, SAE-4
G5	Pressure Gauge 0 - 5000 psi, SAE-4
N	Needle Valve SAE-4
IV	Gauge Isolator, 14 n PT Push to Read/Detent
RV1	Relief Valve, SAE-8 150 - 4500 psi (10 - 310 bar)
RV2	Relief Valve, SAE-12 150 - 4500 psi (10 - 310 bar)
RV6	Relief Valve, SAE-16 150 - 4500 psi (10 - 310 bar)
AB	Air Bleed Valve, SaE-6 8 gpm (30.3 liters)

HEAT EXCHANGER	
CODE	DESCRIPTION
Omit	No Heat Exchanger
HEW11C	Water-to-Oil Cooler HEW-11 for Case Drain
HEW11R	Water-to-Oil Cooler System Return
HEW21R	Water-to-Oil Cooler HEW-21 for Systems Return with Bypass
HEW31R	Water-to-Oil Cooler HEW-31 for Systems Return with Bypass
HEW33R	Water-to-Oil Cooler HEW-33 for Systems Return with Bypass
MHE2	Water Modulating Valve 1/2 n PT 25 gpm (94.6 liters)
MHE3	Water Modulating Valve 3/4 n PT 40 gpm (151.4 liters)
MHE4	Water Modulating Valve 1 n PT 55 gpm (208.2 liters)
Y2	Water "y" Strainer 1/2 n PT
Y3	Water "y" Strainer 3/4 n PT
Y4	Water "y" Strainer 1 n PT
HEA41C	Air-to-Oil Cooler HEA-41 for Case Drain
HEA42C	Air-to-Oil Cooler HEA-42 for Case Drain
HEA44C	Air-to-Oil Cooler HEA-44 for Case Drain
HEA19C	Air-to-Oil Cooler SaE-12, 10 psi (.7 bar) Bypass For Case Drain
HEA41R	Air-to-Oil Cooler HEA-41 for Systems Return
HEA42R	Air-to-Oil Cooler HEA-41 for Systems Return
HEA19R	Air-to-Oil Cooler SAE-12, 30 psi (2 bar) Bypass For System Return
HEA22R	Air-to-Oil Cooler SAE-12, 30 psi (2 bar) Bypass For System Return
HEA24R	Air-to-Oil Cooler SAE-12, 30 psi (2 bar) Bypass For System Return
HEA33R	Air-to-Oil Cooler SAE-16, 30 psi (2 bar) Bypass For System Return
HEA37R	Air-to-Oil Cooler SAE-20, 30 psi (2 bar) Bypass For System Return
HEA50R	Air-to-Oil Cooler SAE-20, 30 psi (2 bar) Bypass For System Return
HEA54R	Air-to-Oil Cooler SAE-24, 30 psi (2 bar) Bypass For System Return
HEA57R	Air-to-Oil Cooler SAE-32, 30 psi (2 bar) Bypass For System Return
HEA70R	Air-to-Oil Cooler SAE-32, 30 psi (2 bar) Bypass For System Return

MOTOR STARTER	
CODE	DESCRIPTION
Omit	No Motor Starter
MS	Motor Starter (See Power Unit accessories Catalog For Selection and Sizing - add Model Code as Required)

MECHANICAL OR ELECTRICAL	
CODE	DESCRIPTION
Omit	No Mechanical or Electrical Options
D	Tank Drain 3/4 nPT
M	Magnet Separator
CV06	Check Valve SAE-6 3000 psi (207 Bar) 7 psi (.5 bar) Crack
CV08	Check Valve SAE-8 3000 psi (207 Bar) 7 psi (.5 bar) Crack
CV12	Check Valve SAE-12 3000 psi (207 Bar) 7 psi (.5 bar) Crack
CV16	Check Valve SAE-16 3000 psi (207 Bar) 7 psi (.5 bar) Crack
CV20	Check Valve SAE-20 3000 psi (207 Bar) 7 psi (.5 bar) Crack
CV24	Check Valve SAE-24 3000 psi (207 Bar) 7 psi (.5 bar) Crack
BV08	Ball Valve SAE-8, 6000 psi (414 Bar)*
BV12	Ball Valve SAE-12, 6000 psi (414 Bar)*
BV16	Ball Valve SAE-16, 6000 psi (414 Bar)*
BV20	Ball Valve SAE-20, 6000 psi (414 Bar)*
BV24	Ball Valve SAE-24, 6000 psi (414 Bar)*
BV32	Ball Valve SAE-32, 6000 psi (414 Bar)*
FM1	Flow Meter 0 - 10 gpm (0 - 37.8 liters)
FM2	Flow Meter 0 - 10 gpm (7.8 - 113.5 liters)
FM3	Flow Meter 10 - 75 gpm (37.8 - 283.9 liters)
LT	Level Temperature Switch
PS1	Pressure Switch
TS1	Temperature Switch
TH	Tank Heater

FILTER	
CODE	DESCRIPTION
Omit	No Filter
FR*10	Return Filter 10 gpm (37.8 liters)
FR*40	Return Filter 40 gpm (151.4 liters)
FR*80	Return Filter 80 gpm (302.8 liters)
FP*10	Return Filter 10 gpm (37.8 liters)
FP*20	Return Filter 20 gpm (75.7 liters)
FP*50	Return Filter 50 gpm (189.2 liters)
FP*70	Return Filter 70 gpm (264.9 liters)
NOTE: Check The Accessories Catalog To Pick The Correct Element Beta Ratio Required. (The Highest Beta Ratio Comes As Standard Unless Called Out)	
*	
C	Visual Indicator
E	Electrical Indicator

VALVE MOUNTING	
CODE	DESCRIPTION
Omit	No Manifold
S3S	Valve Subplate D03 - SAE-8 Ports
S5S	Valve Subplate D05 - SAE-8 Ports
S8S	Valve Subplate D08 - SAE-20 Ports
V3M1AR	Single Station Manifold D03 With Built-In Relief, SAE-8 "A" & "B" Female Ports
V3M2AR	Two Station Manifold D03 With Built-In Relief, SAE-8 "A" & "B" Female Ports
V3M3AR	Three Station Manifold D03 With Built-In Relief, SAE-8 "A" & "B" Female Ports
V3M4AR	Four Station Manifold D03 With Built-In Relief, SAE-8 "A" & "B" Female Ports
V3M5AR	Five Station Manifold D03 With Built-In Relief, SAE-8 "A" & "B" Female Ports
V3M6AR	Six Station Manifold D03 With Built-In Relief, SAE-8 "A" & "B" Female Ports

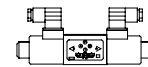
NOTE: See the Power Unit accessories Catalog for complete descriptions and sizing information. Add model code as required

PRESSURE MANIFOLD

*FOR NO RELIEF VALVE REMOVE THE "R" FROM THE CODE
(V3M4AR EQUALS V3M4A)

*FOR D05 or D08 PATTERN VALVES CHANGE THE "3" to "5" or "8" IN MODEL CODE
(V3M4A EQUALS V8M4A)

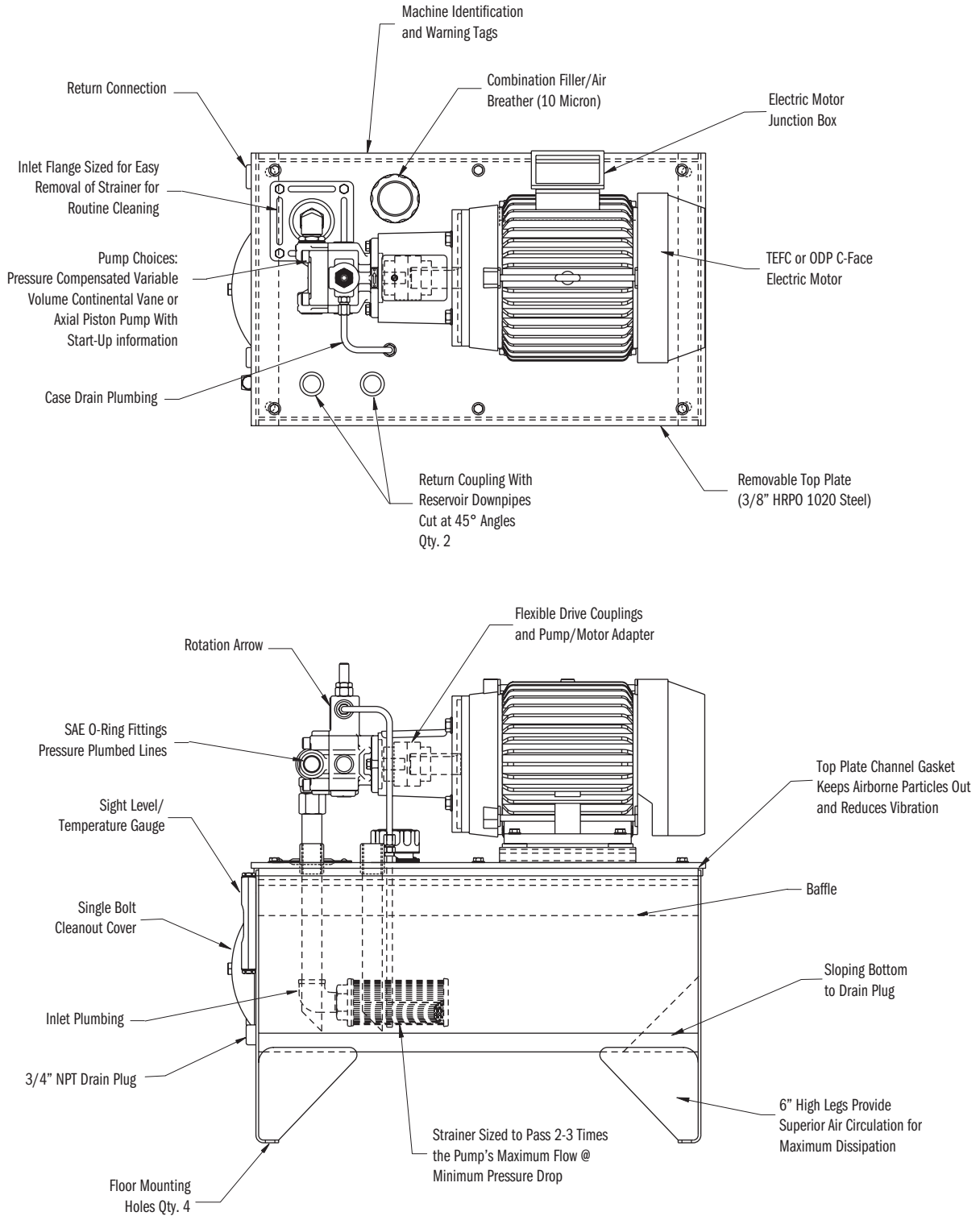
*FOR DUCTILE IRON MANIFOLDS CHANGE THE "A" TO "D" IN THE MODEL CODE
(V3M4AR EQUALS V3M4DR)



Select valves as required from the appropriate Continental Hydraulics Catalogs.

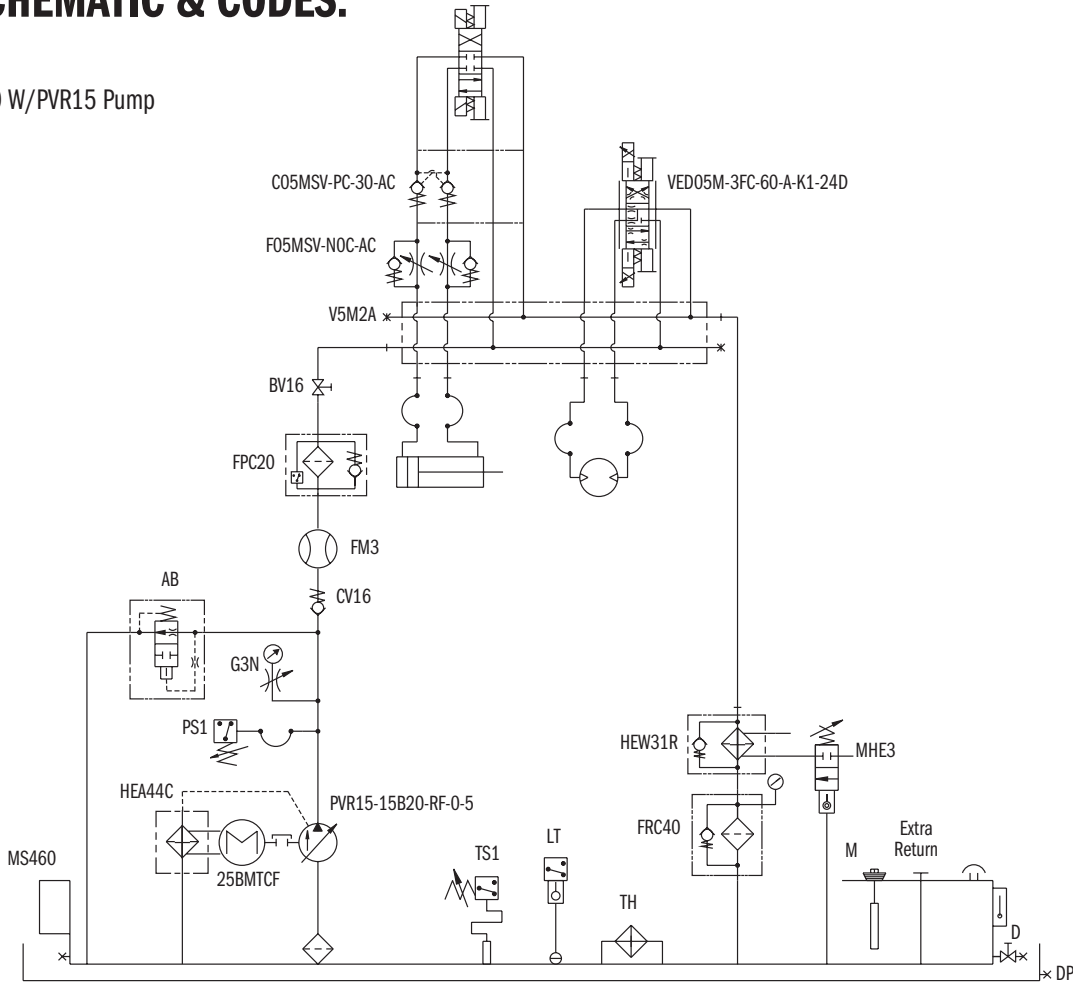
For subplate/manifold dimensions and specifications, see the Daman Products Manifold Catalog.

► **FEATURES:**



► SCHEMATIC & CODES:

R90 W/PVR15 Pump



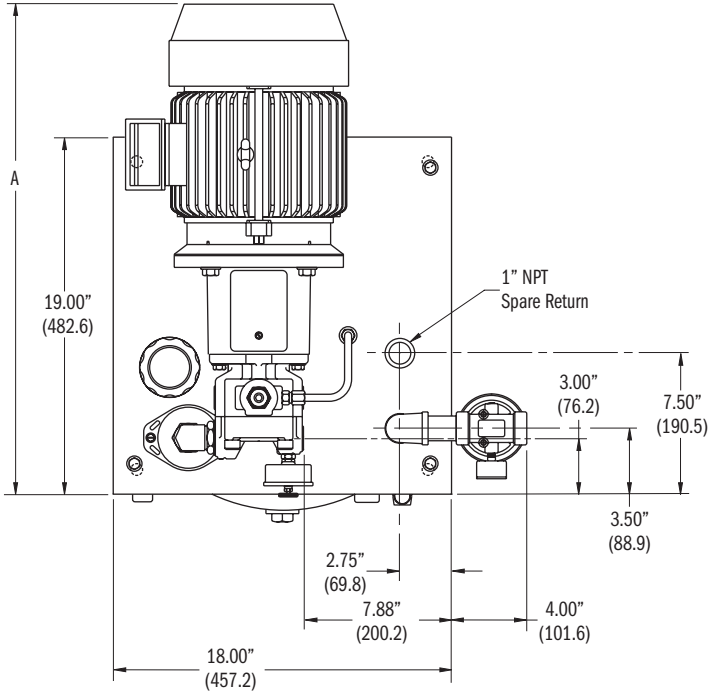
Model Code	Description
R90	90 Gallon Reservoir
DP	Drip Pan (optional)
25BMTCF	Motor 25 H.P. (18.6 kW), 1800rpm, TEFC, 284TC
F	Installed Customer Motor
H1	Petroleum Based Oil
G3	0 - 3000 psi (0 - 207 bar) Pressure Gauge
n	Gauge Snubber/Shut-off Valve, SaE-4 Ports
AB	Air Bleed Valve
D	Reservoir Drain Valve, 3/4 m PT
M	Magnet
CV16	Check Valve, SaE-16, 7 psi (0.5 bar) Cracking
BV16	High Pressure Ball Valve, SaE-16 Ports

Model Code	Description
FM3	Flow Meter, SaE-20 Ports, 10 - 75 gpm (37.8 - 283.9 lpm)
LT	Level/Temperature Switch
PS1	Pressure Switch, 200 - 3000 psi (14 - 207 bar) adjustment
TS1	Temperature Switch, 30°F. - 250°F. (-1°C. - 121°C.) Adjustment
TH	Tank Heater 30°F. - 110°F. (-1°C. - 43°C.) Adjustment
FRC40	Return Filter, 1-1/4 n PT Ports, 40 gpm (151.4 lpm), 10 Micron
FPC20	Pressure Filter, SaE-16 Ports, 20 gpm (75.7 lpm), 10 Micron
HEA44C	Case Drain Cooler, SaE-8 Ports
HEW31R	Water-to-oil Heat Exchanger, SaE-24 Ports
MHE3	Water Modulating Valve, 3/4 n PT Ports, 100°F. - 140°F. (38°C. - 60°C.) Adjustment
V5M2A	D05 2 Station Manifold, SaE-8 "a" and "B" Ports

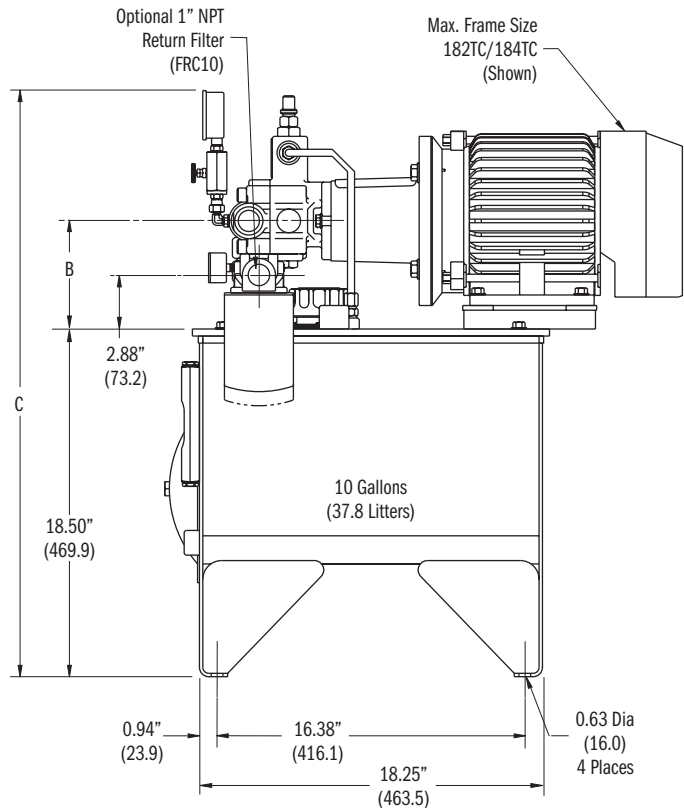
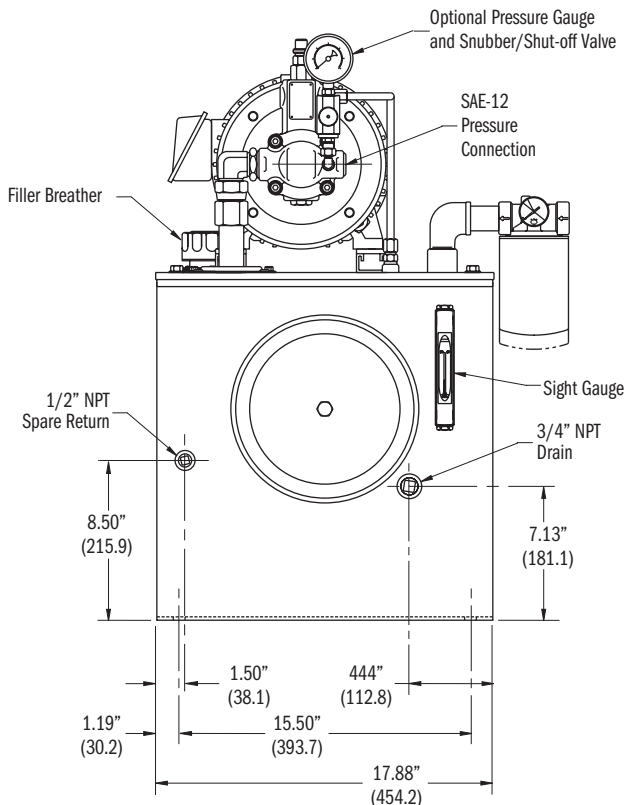
Model Code	Description
PVR15-15B20-RF-0-5	Vane Pump, 15 gpm (56.8 lpm), 2000 psi (138 bar)
VSD05M-3A-GB-60L	D05 Directional Control Valve
C05MSV-PC-aa	D05 Modular Stack Cross-Port Check Valve
F05MSV-n DC-aa	D05 Modular Stack Dual Flow Control Valve
BD05-667	D05 Bolt Kit, 6.67" Long
ED05M-3F1C-GD-24L	D05 Proportional Directional Control Valve
BD05-175	D05 Bolt Kit, 1.75" Long

FEATURES:
10 GALLON PVR6 VANE PUMP

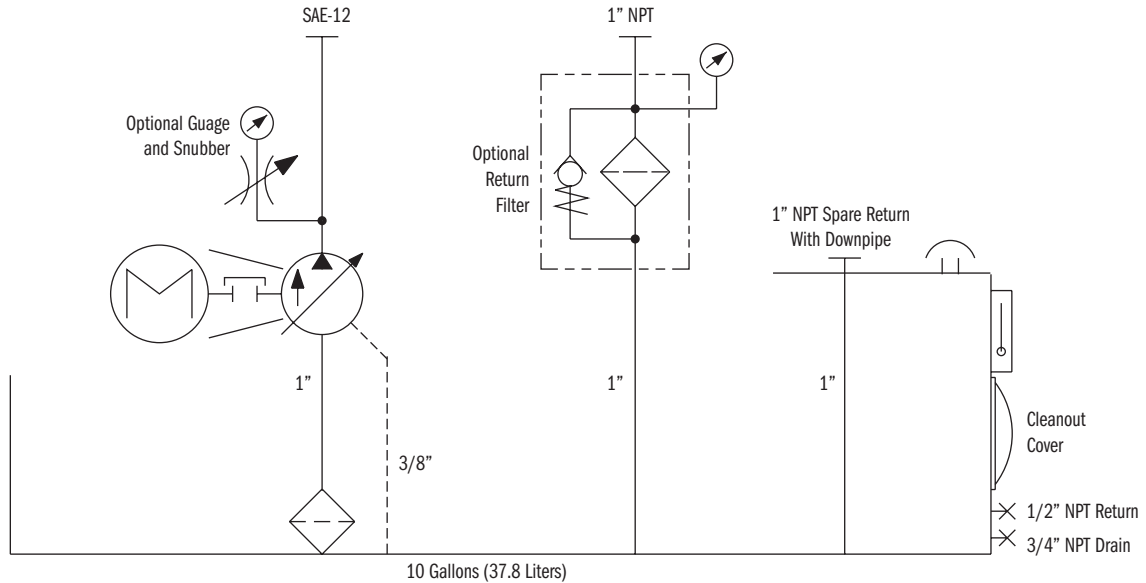
Dimensions:
inches (± .125")
millimeters (± 1 mm)



DIMENSIONS			
MOTOR FRAME	A (± .125")	B	C
143TC	21.92 (536.7)	4.75 (120.6)	30.25 (768.3)
145TC	21.13 (536.7)	4.75 (120.6)	30.25 (768.3)
182TC	23.25 (590.5)	5.75 (146.0)	31.25 (793.7)
184TC	24.25 (536.7)	5.75 (146.0)	31.25 (793.7)



► **SCHEMATIC & CODES:**
10 GALLON PVR6 VANE PUMP

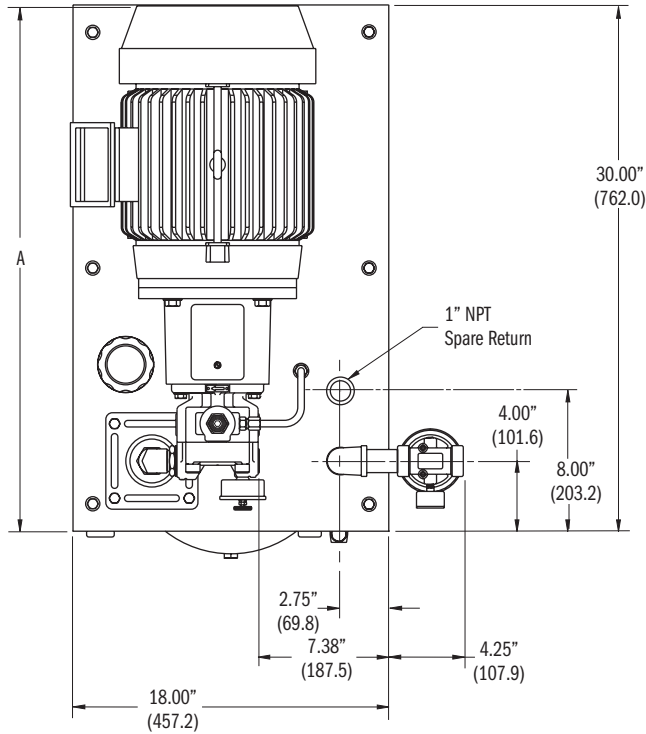


General Specifications	R10
Reservoir Capacity	10 Gal. (37.8 liters)
Surface area For Heat Transfer	6.11 sq. ft. (5676.2 cm ²)
Heat Dissipation	Sq. Ft. of Vertical Steel x ΔT / 1000
Basic Weight (Less oil, pump, and motor)	180 lbs. (14.0 kg)
Usable Gallons	3.69 Gal. (14.0 liters)
Gallons Per inch Rise	1.32 Gal. (5.0 liters)
Capacity, Full to Top Plate	14.93 Gal. (56.5 liters)
Capacity, High on Sight Gauge	10.65 Gal. (40.3 liters)
Capacity, Low on Sight Gauge	6.70 Gal. (25.4 liters)
Pump Data*	
Flow Range	Up to 10 gpm (37.8 lpm)
Pressure Range	Up to 2000 psi (138 bar)
Power Range	Up to 5 HP (3.7 kW)

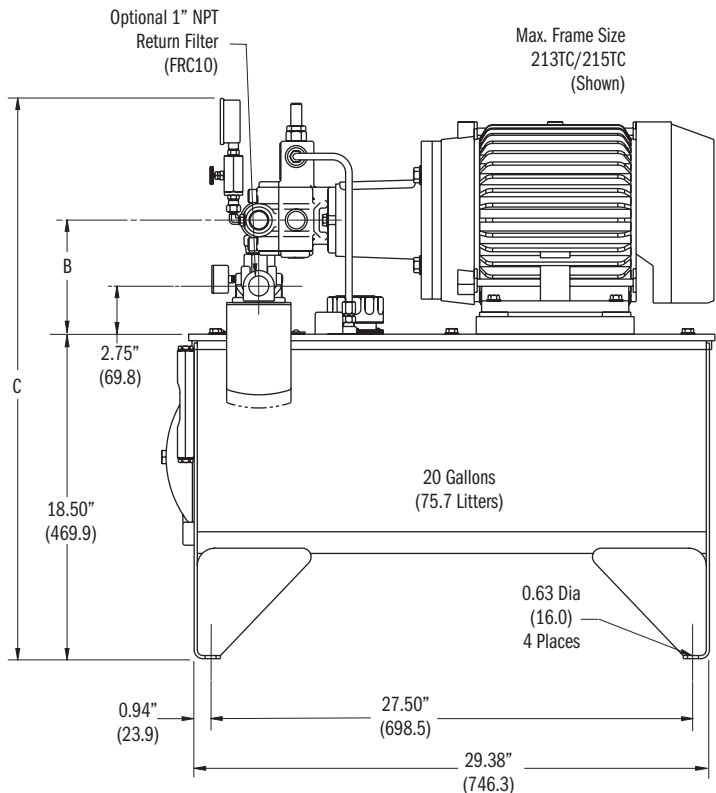
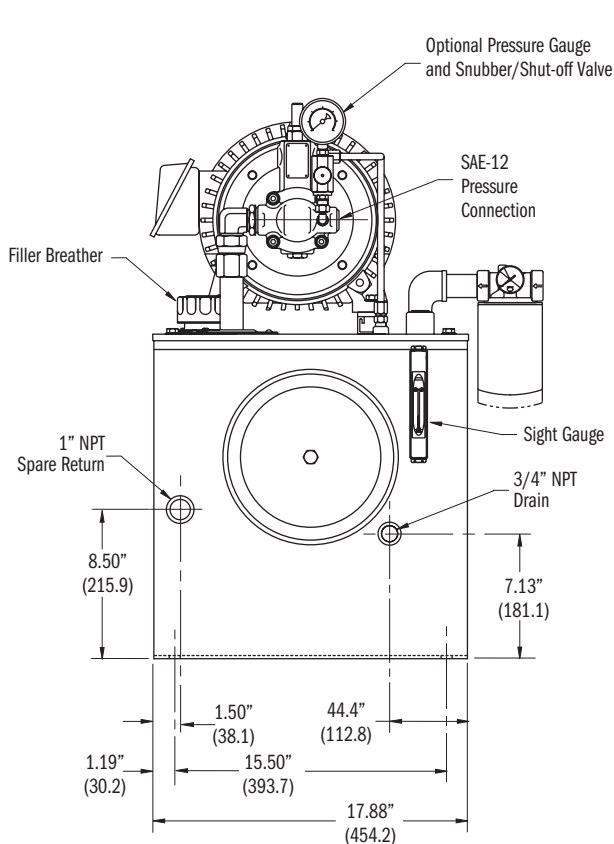
*See Continental Hydraulics Vane or Piston Pump Catalogs for complete codes and specifications.

► **FEATURES:**
20 GALLON PVR6 VANE PUMP

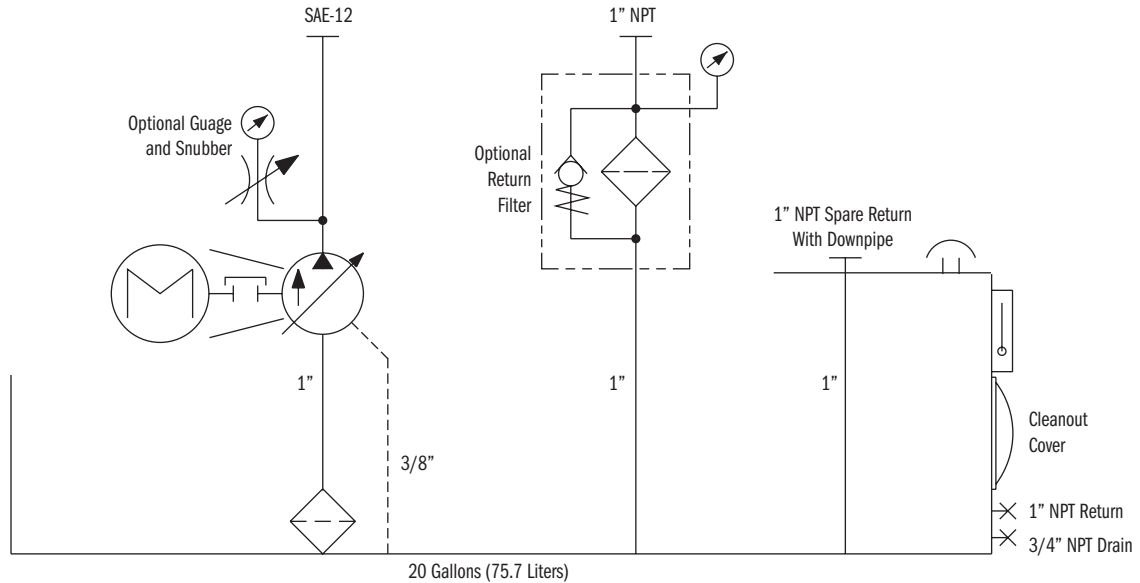
Dimensions:
inches (± .125")
millimeters (± 1 mm)



DIMENSIONS			
MOTOR FRAME	A (± .125")	B	C
143TC	22.92 (582.2)	4.75 (120.6)	30.25 (768.3)
145TC	22.92 (582.2)	4.75 (120.6)	30.25 (768.3)
182TC	25.06 (636.5)	5.75 (146.0)	31.25 (793.7)
184TC	26.05 (661.7)	5.75 (146.0)	31.25 (793.7)
213TC	28.20 (716.3)	6.50 (165.1)	32.00 (812.8)
215TC	29.69 (754.1)	6.50 (165.1)	32.00 (812.8)



► **SCHEMATIC & CODES:**
20 GALLON PVR6 VANE PUMP

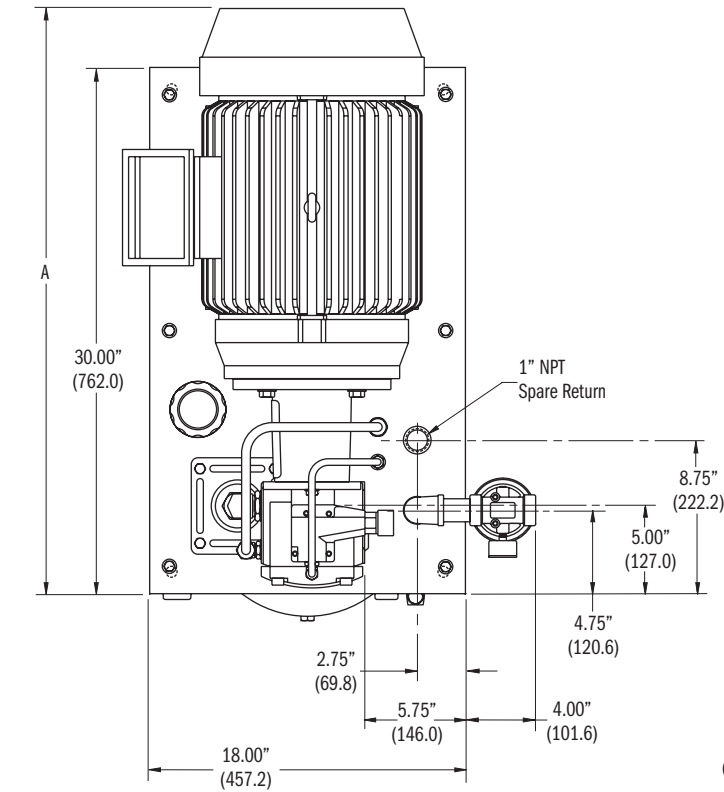


General Specifications	R20
Reservoir Capacity	20 Gal. (75.7 liters)
Surface area For Heat Transfer	9.50 sq. ft. (8825.5 cm ²)
Heat Dissipation	Sq. Ft. of Vertical Steel x ΔT / 1000
Basic Weight (Less oil, pump, and motor)	244 lbs. (110.7 kg)
Usable Gallons	7.40 Gal. (28.0 liters)
Gallons Per inch Rise	2.13 Gal. (8.1 liters)
Capacity, Full to Top Plate	24.76 Gal. (93.7 liters)
Capacity, High on Sight Gauge	20.24 Gal. (76.6 liters)
Capacity, Low on Sight Gauge	12.84 Gal. (48.6 liters)
Pump Data*	
Flow Range	Up to 10 gpm (37.8 lpm)
Pressure Range	Up to 2000 psi (138 bar)
Power Range	Up to 10 HP (7.5 kW)

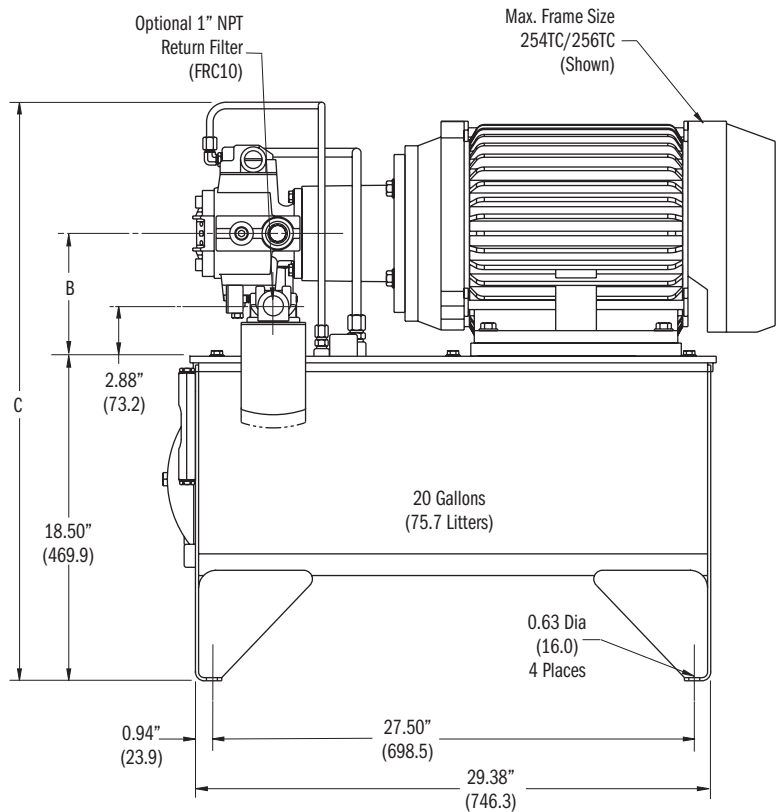
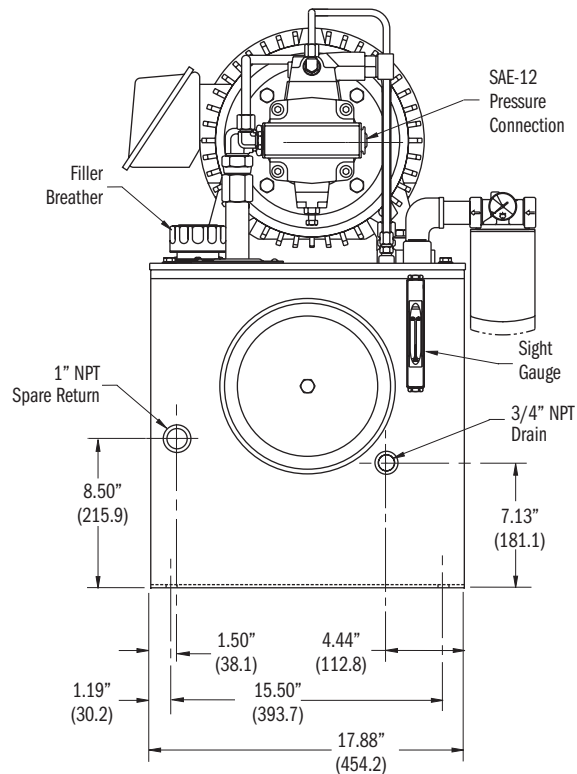
*See Continental Hydraulics Vane or Piston Pump Catalogs for complete codes and specifications.

Dimensions:
inches (± .125")
millimeters (± 1 mm)

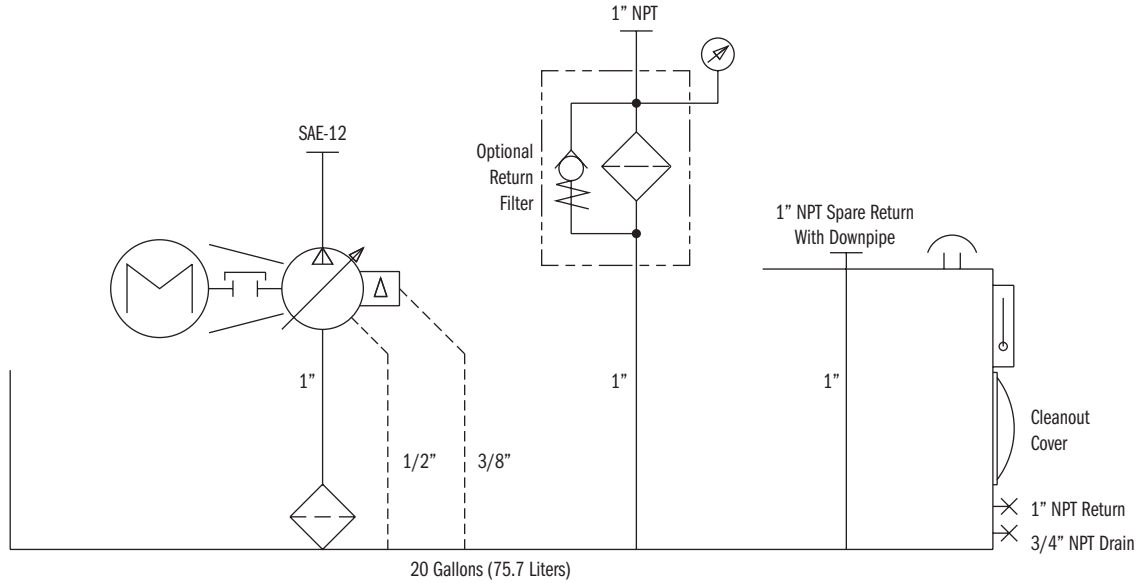
► **FEATURES:**
20 GALLON PVX8 VANE PUMP



DIMENSIONS			
MOTOR FRAME	A (± .125")	B	C
182TC	23.06 (585.7)	5.75 (146.0)	31.25 (793.7)
184TC	24.05 (610.9)	5.75 (146.0)	31.25 (793.7)
213TC	26.20 (665.5)	6.50 (165.1)	32.00 (812.8)
215TC	27.69 (703.3)	6.50 (165.1)	32.00 (812.8)
254TC	31.66 (804.2)	7.00 (177.8)	33.63 (854.2)
256TC	33.36 (847.3)	7.00 (177.8)	33.63 (854.2)



► **SCHEMATIC & CODES:**
20 GALLON PVX8 VANE PUMP

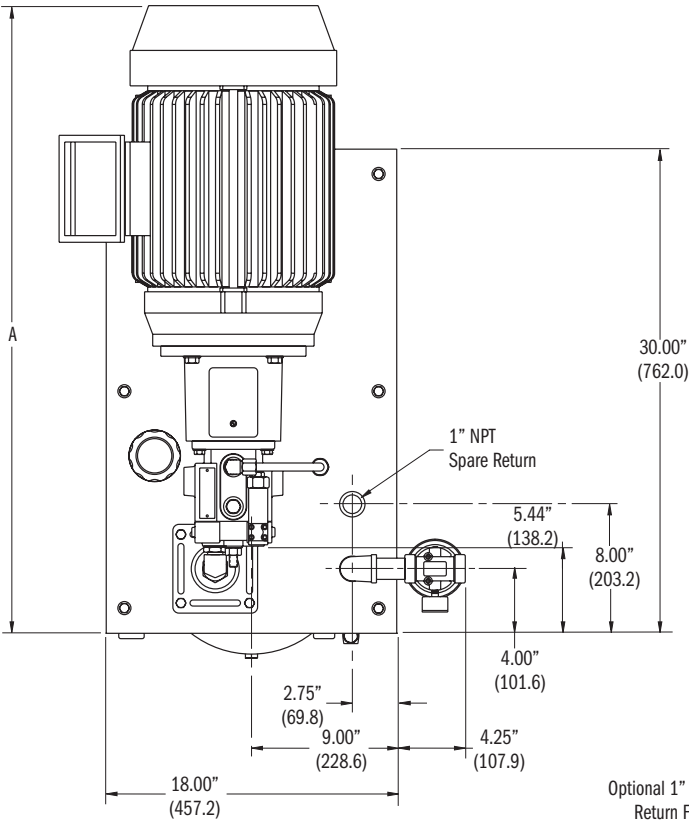


General Specifications	R20
Reservoir Capacity	20 Gal. (75.7 liters)
Surface area For Heat Transfer	9.50 sq. ft. (8825.5 cm ²)
Heat Dissipation	Sq. Ft. of Vertical Steel x ΔT / 1000
Basic Weight (Less oil, pump, and motor)	244 lbs. (110.7 kg)
Usable Gallons	7.40 Gal. (28.0 liters)
Gallons Per inch Rise	2.13 Gal. (8.1 liters)
Capacity, Full to Top Plate	24.76 Gal. (93.7 liters)
Capacity, High on Sight Gauge	20.24 Gal. (76.6 liters)
Capacity, Low on Sight Gauge	12.84 Gal. (48.6 liters)
Pump Data*	
Flow Range	Up to 8 gpm (30.3 lpm)
Pressure Range	Up to 3000 psi (207 bar)
Power Range	Up to 20 HP (14.9 kW)

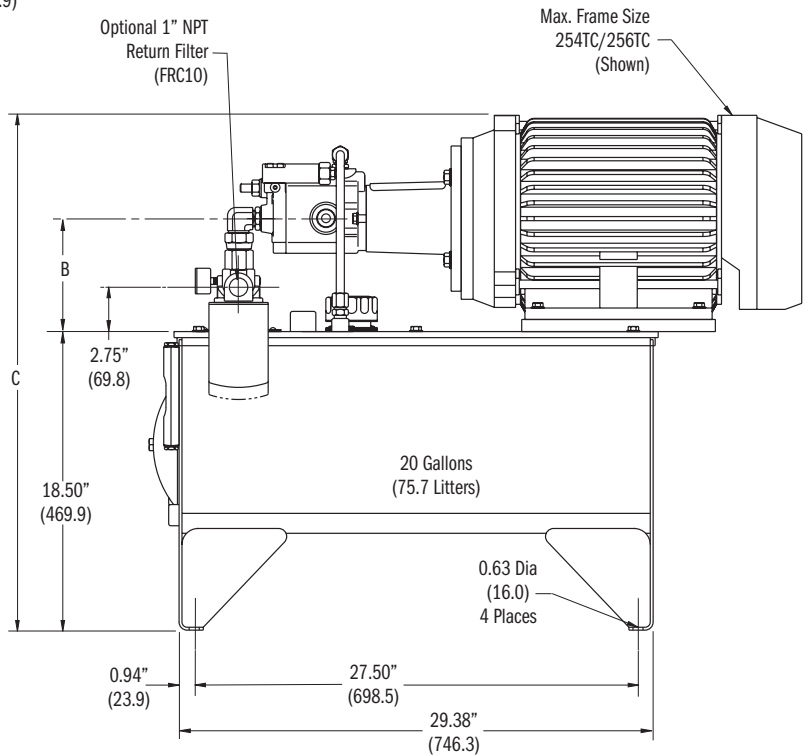
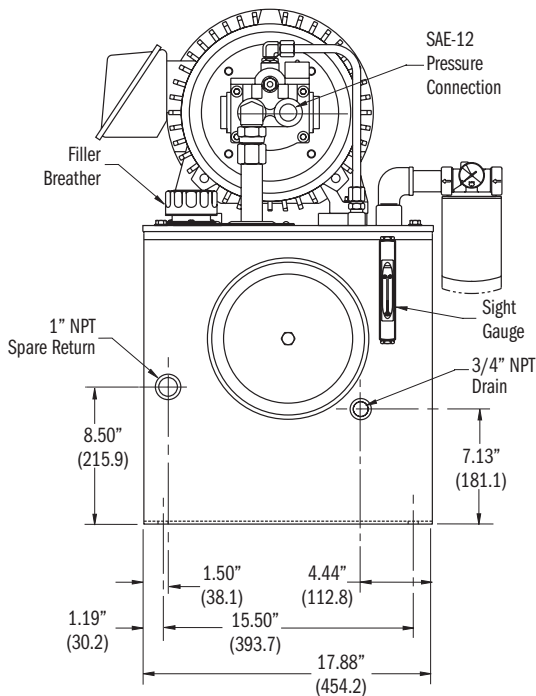
*See Continental Hydraulics Vane or Piston Pump Catalogs for complete codes and specifications.

► **FEATURES:**
20 GALLON HPVR6 PISTON PUMP

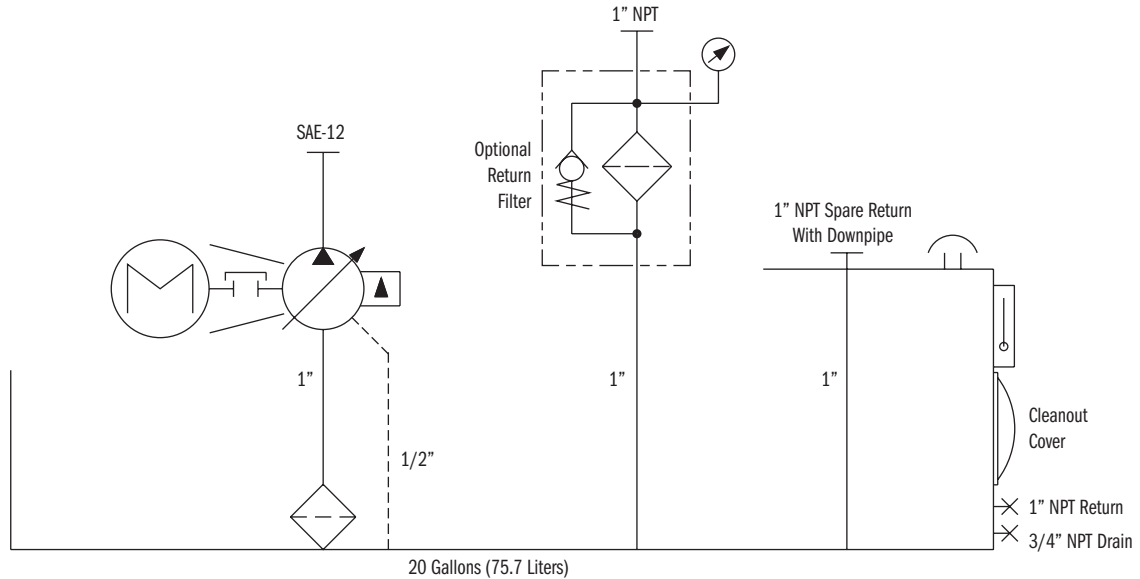
Dimensions:
inches (± .125")
millimeters (± 1 mm)



DIMENSIONS			
MOTOR FRAME	A (± .125")	B	C
182TC	29.04 (737.6)	5.75 (146.0)	29.19 (741.4)
184TC	30.03 (762.8)	5.75 (146.0)	29.19 (741.4)
213TC	32.18 (817.4)	6.50 (165.1)	30.63 (778.8)
215TC	33.67 (855.2)	6.50 (165.1)	30.63 (778.8)
254TC	37.64 (956.1)	7.00 (177.8)	32.13 (816.1)
256TC	39.64 (1006.9)	7.00 (177.8)	32.13 (816.1)



► **SCHEMATIC & CODES:**
20 GALLON HPVR6 PISTON PUMP

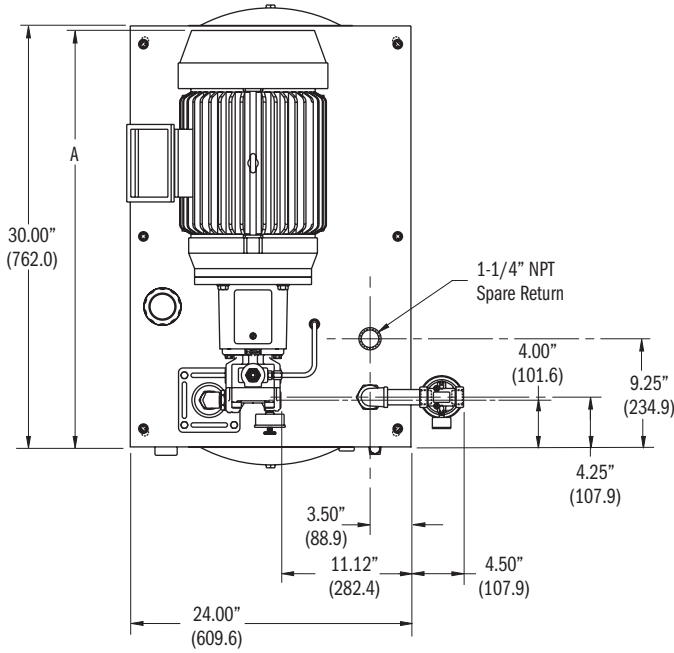


General Specifications	R20
Reservoir Capacity	20 Gal. (75.7 liters)
Surface area For Heat Transfer	9.50 sq. ft. (8825.5 cm ²)
Heat Dissipation	Sq. Ft. of Vertical Steel x ΔT / 1000
Basic Weight (Less oil, pump, and motor)	244 lbs. (110.7 kg)
Usable Gallons	7.40 Gal. (28.0 liters)
Gallons Per inch Rise	2.13 Gal. (8.1 liters)
Capacity, Full to Top Plate	24.76 Gal. (93.7 liters)
Capacity, High on Sight Gauge	20.24 Gal. (76.6 liters)
Capacity, Low on Sight Gauge	12.84 Gal. (48.6 liters)
Pump Data*	
Flow Range	Up to 6 gpm (22.7 lpm)
Pressure Range	Up to 3500 psi (241 bar)
Power Range	Up to 20 HP (14.9 kW)

*See Continental Hydraulics Vane or Piston Pump Catalogs for complete codes and specifications.

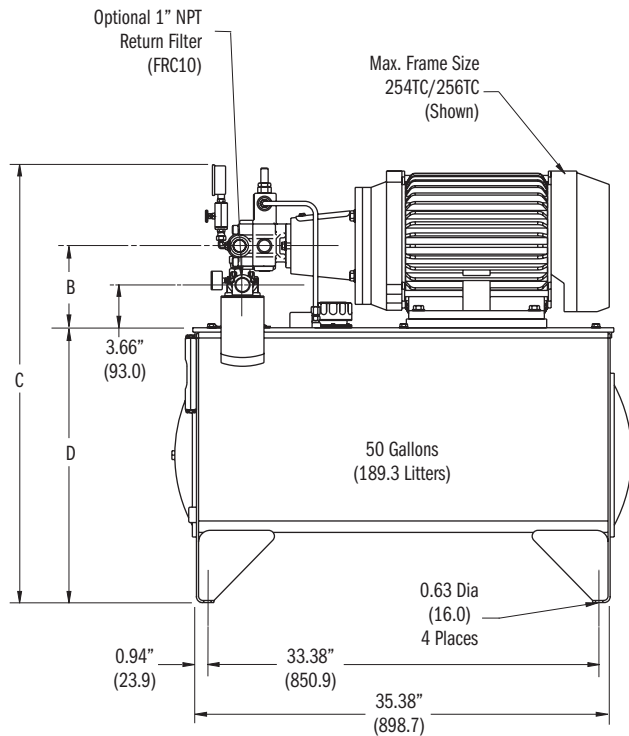
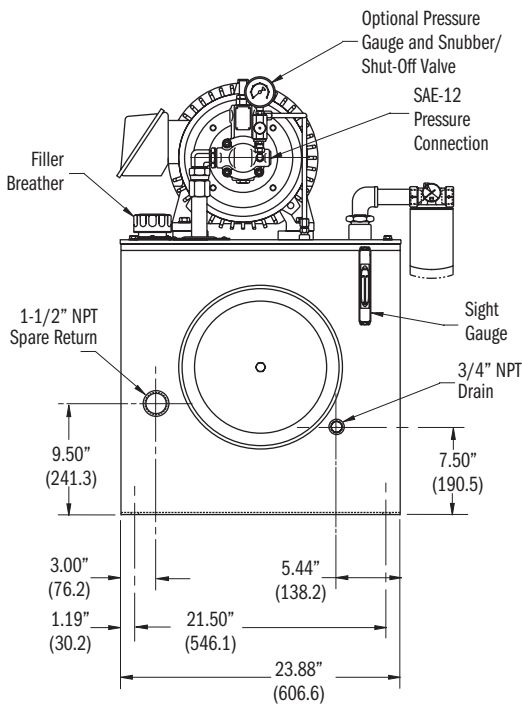
► **FEATURES:**
35/50 GALLON PVR6 VANE PUMP

Dimensions:
inches (± .125")
millimeters (± 1 mm)

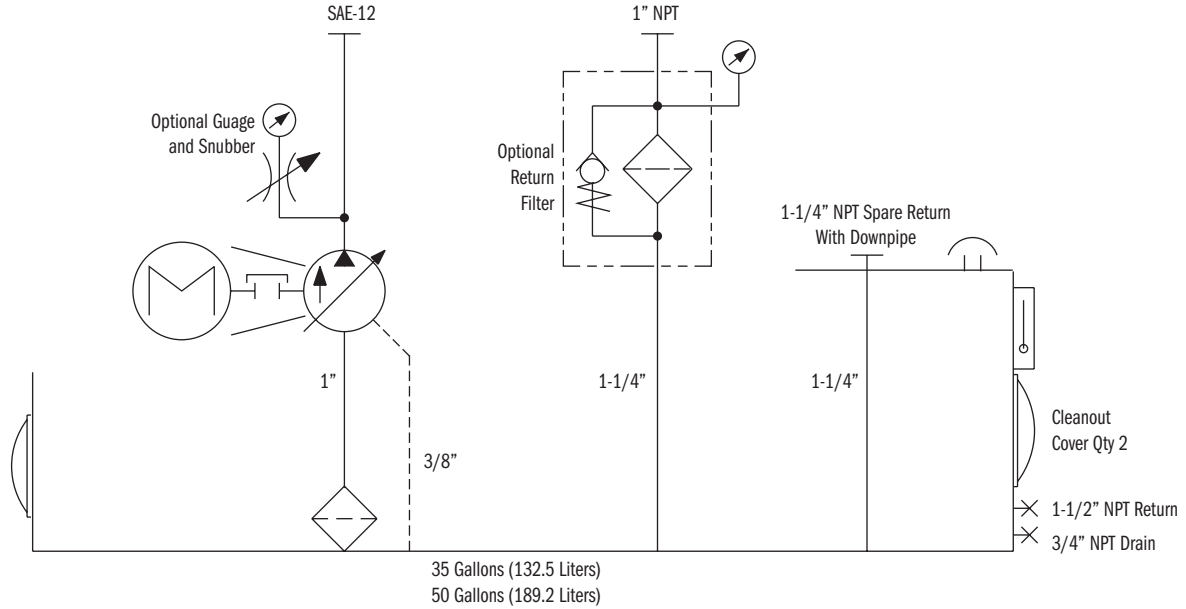


DIMENSIONS (± .125")				
MOTOR FRAME	A	B	C	
			R35	R50
182TC	25.06 (636.5)	5.75 (146.0)	31.50 (800.1)	36.25 (920.7)
184TC	26.05 (661.7)	5.75 (146.0)	31.50 (800.1)	36.25 (920.7)
213TC	28.20 (716.3)	6.50 (165.1)	32.25 (819.1)	37.00 (939.8)
215TC	29.69 (754.1)	6.50 (165.1)	32.25 (819.1)	37.00 (939.8)
254TC	33.66 (855.0)	7.00 (177.8)	32.75 (831.8)	37.50 (952.5)
256TC	35.35 (897.9)	7.00 (177.8)	32.75 (831.8)	37.50 (952.5)

D	
R35	R50
18.75 (476.2)	23.50 (596.9)



► **SCHEMATIC & CODES:**
35/50 GALLON PVR6 VANE PUMP

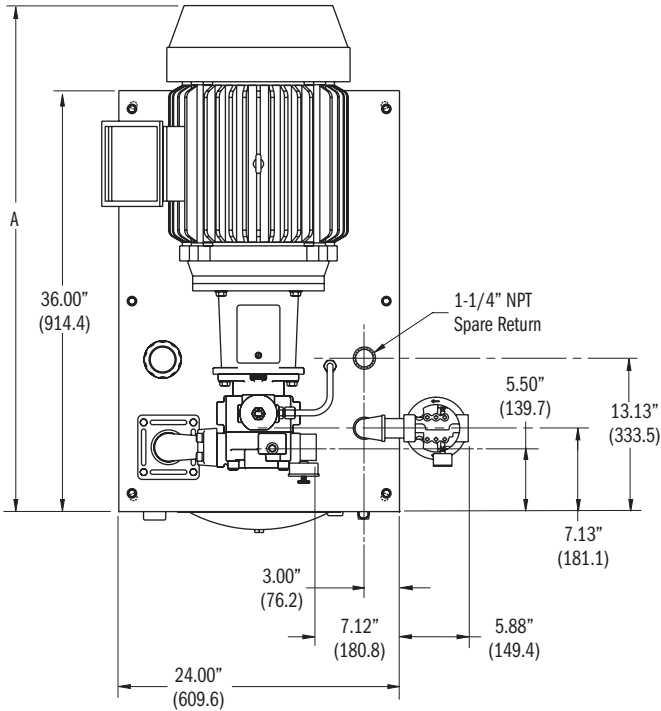


General Specifications	R35	R50
Reservoir Capacity	35 Gal. (132.5 liters)	50 Gal. (189.2 liters)
Surface area For Heat Transfer	13.44 sq. ft. (1.25 cm ²)	17.27 sq. ft. (1.60 cm ²)
Heat Dissipation	Sq. Ft. of Vertical Steel x ΔT / 1000	Sq. Ft. of Vertical Steel x ΔT / 1000
Basic Weight (Less oil, pump, and motor)	349 lbs. (158.3 kg)	386 lbs. (175.1 kg)
Usable Gallons	10.46 Gal. (39.6 liters)	23.31 Gal. (88.2 liters)
Gallons Per inch Rise	3.49 Gal. (13.2 liters)	3.49 Gal. (13.2 liters)
Capacity, Full to Top Plate	40.65 Gal. (153.9 liters)	57.18 Gal. (216.4 liters)
Capacity, High on Sight Gauge	33.56 Gal. (127.0 liters)	50.21 Gal. (190.0 liters)
Capacity, Low on Sight Gauge	23.10 Gal. (87.4 liters)	39.75 Gal. (150.4 liters)
Pump Data*		
Flow Range	Up to 10 gpm (37.8 lpm)	Up to 10 gpm (37.8 lpm)
Pressure Range	Up to 2000 psi (138 bar)	Up to 2000 psi (138 bar)
Power Range	Up to 20 HP (14.9 kW)	Up to 20 HP (14.9 kW)

*See Continental Hydraulics Vane or Piston Pump Catalogs for complete codes and specifications.

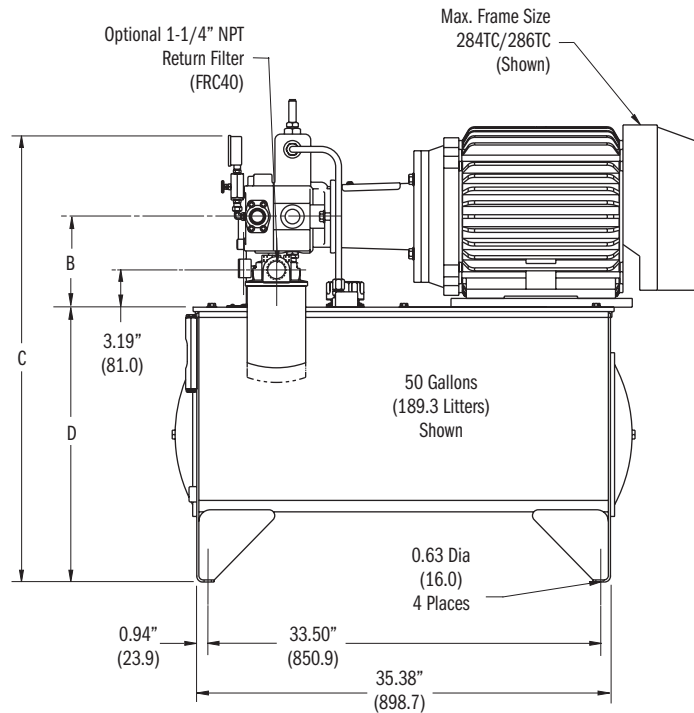
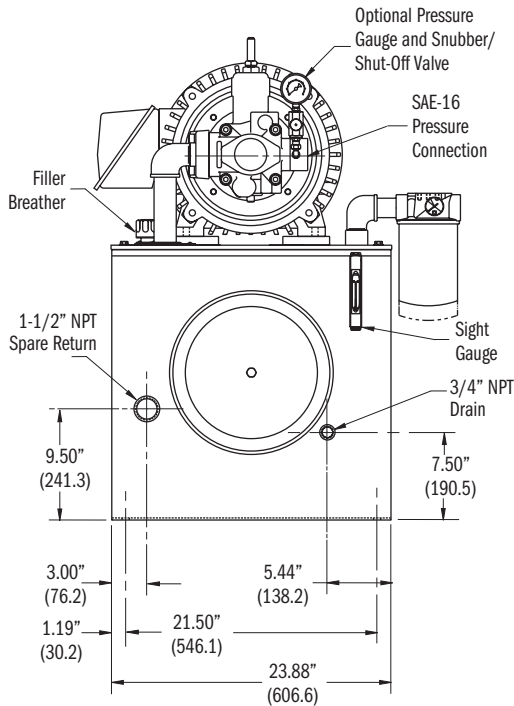
► **FEATURES:**
35/50 GALLON PVR15 VANE PUMP

Dimensions:
inches (± .125")
millimeters (± 1 mm)

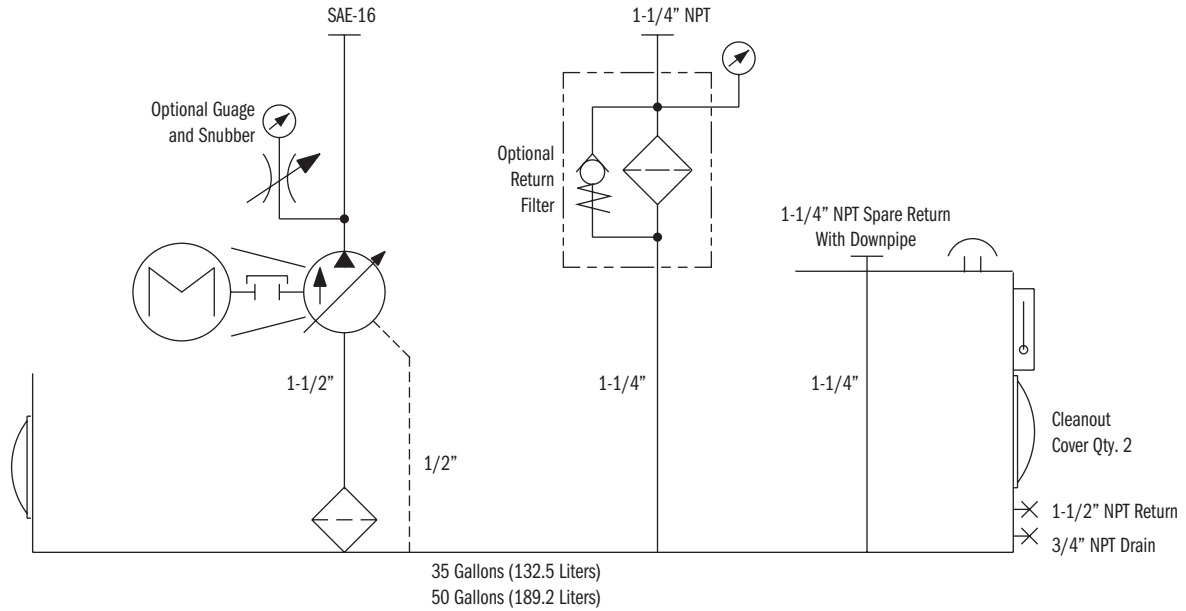


DIMENSIONS (± .125")				
MOTOR FRAME	A	B	C	
			R35	R50
182TC	29.18 (741.2)	5.75 (146.0)	34.50 (876.3)	39.25 (996.9)
184TC	30.17 (766.3)	5.75 (146.0)	34.50 (876.3)	39.25 (996.9)
213TC	32.20 (817.9)	6.50 (165.1)	35.25 (895.3)	40.00 (1016.0)
215TC	33.69 (855.7)	6.50 (165.1)	35.25 (895.3)	40.00 (1016.0)
254TC	38.03 (966.0)	7.00 (177.8)	35.75 (908.0)	40.50 (1028.7)
256TC	39.73 (1009.1)	7.00 (177.8)	35.75 (908.0)	40.50 (1028.7)
284TC	41.53 (1054.9)	7.75 (196.8)	36.50 (927.1)	41.25 (1047.7)
286TC	43.03 (1093.0)	7.75 (196.8)	36.50 (927.1)	41.25 (1047.7)

D	
R35	R50
18.75 (476.2)	23.50 (596.9)



► **SCHEMATIC & CODES:**
35/50 GALLON PVR15 VANE PUMP

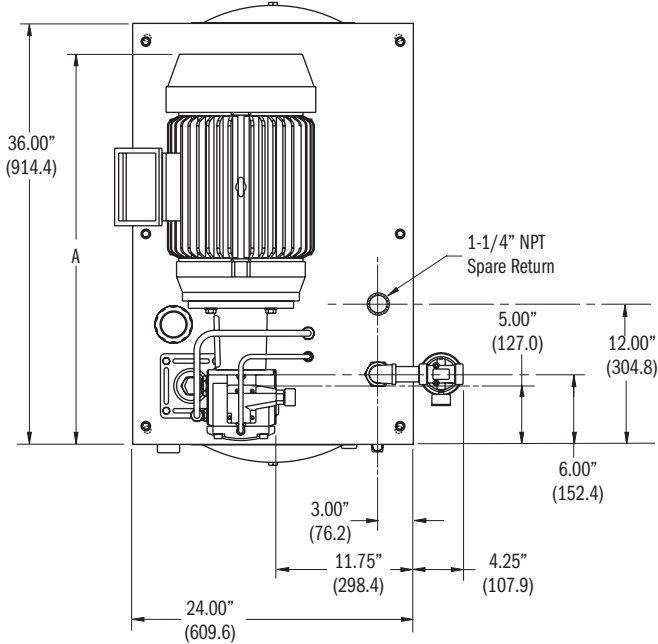


General Specifications	R35	R50
Reservoir Capacity	35 Gal. (132.5 liters)	50 Gal. (189.2 liters)
Surface area For Heat Transfer	13.44 sq. ft. (1.25 cm ²)	17.27 sq. ft. (1.60 cm ²)
Heat Dissipation	Sq. Ft. of Vertical Steel x ΔT / 1000	Sq. Ft. of Vertical Steel x ΔT / 1000
Basic Weight (Less oil, pump, and motor)	360 lbs. (163.3 kg)	398 lbs. (180.5 kg)
Usable Gallons	7.90 Gal. (29.9 liters)	19.72 Gal. (74.5 liters)
Gallons Per inch Rise	3.49 Gal. (13.2 liters)	3.49 Gal. (13.2 liters)
Capacity, Full to Top Plate	40.65 Gal. (153.9 liters)	57.18 Gal. (216.4 liters)
Capacity, High on Sight Gauge	33.56 Gal. (127.0 liters)	50.21 Gal. (190.0 liters)
Capacity, Low on Sight Gauge	23.10 Gal. (87.4 liters)	39.75 Gal. (150.4 liters)
Pump Data*		
Flow Range	Up to 30 gpm (113.5 lpm)	Up to 30 gpm (113.5 lpm)
Pressure Range	Up to 2000 psi (138 bar)	Up to 2000 psi (138 bar)
Power Range	Up to 30 HP (22.4 kW)	Up to 30 HP (22.4 kW)

*See Continental Hydraulics Vane or Piston Pump Catalogs for complete codes and specifications.

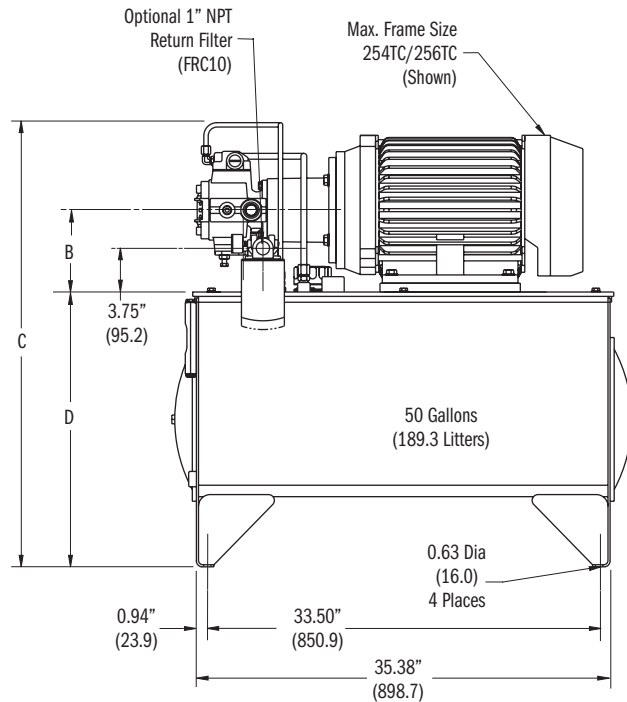
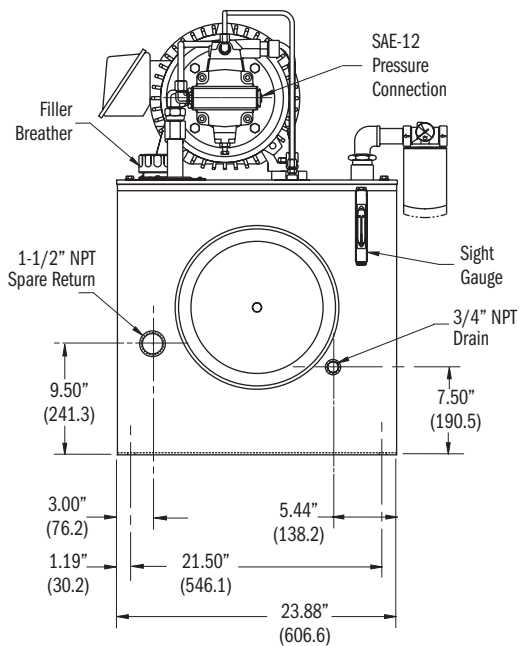
► **FEATURES:**
35/50 GALLON PVX8 VANE PUMP

Dimensions:
inches (± .125")
millimeters (± 1 mm)

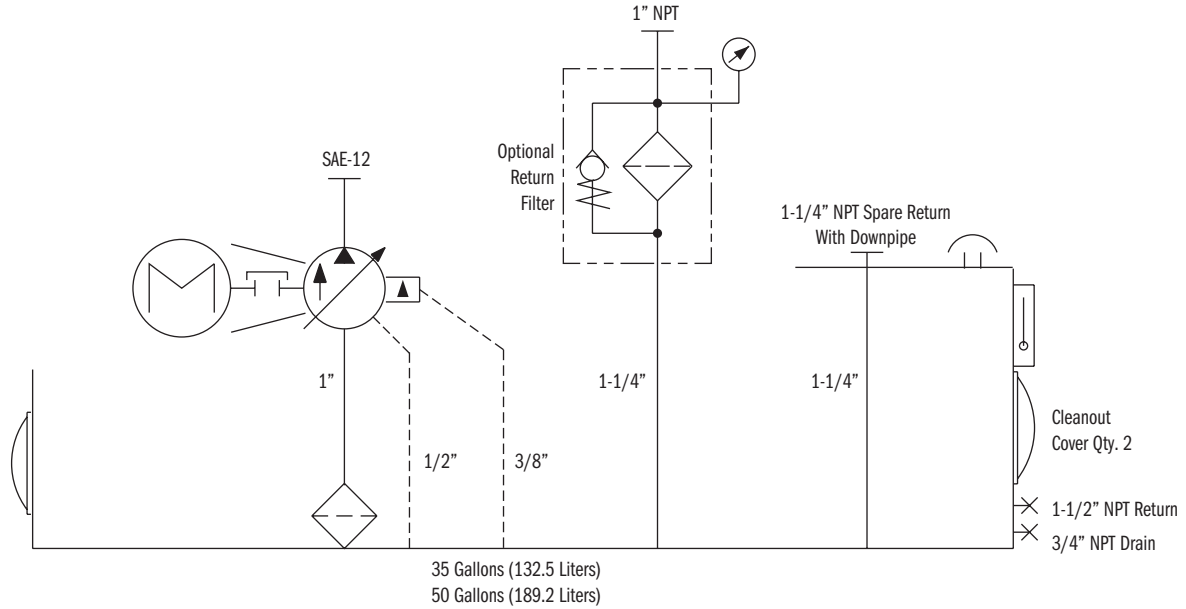


MOTOR FRAME	DIMENSIONS (± .125")			
	A	B	C	
			R35	R50
182TC	23.06 (585.7)	5.75 (146.0)	32.63 (828.2)	37.38 (949.5)
184TC	24.05 (610.9)	5.75 (146.0)	32.63 (828.2)	37.38 (949.5)
213TC	26.20 (665.5)	6.50 (165.1)	33.38 (847.9)	38.13 (968.5)
215TC	27.69 (703.3)	6.50 (165.1)	33.38 (847.9)	38.13 (968.5)
254TC	31.66 (804.2)	7.00 (177.8)	33.88 (860.6)	38.63 (981.2)
256TC	33.36 (847.3)	7.00 (177.8)	33.88 (860.6)	38.63 (981.2)

D	
R35	R50
18.75 (476.2)	23.50 (596.9)



► **SCHEMATIC & CODES:**
35/50 GALLON PVX8 VANE PUMP

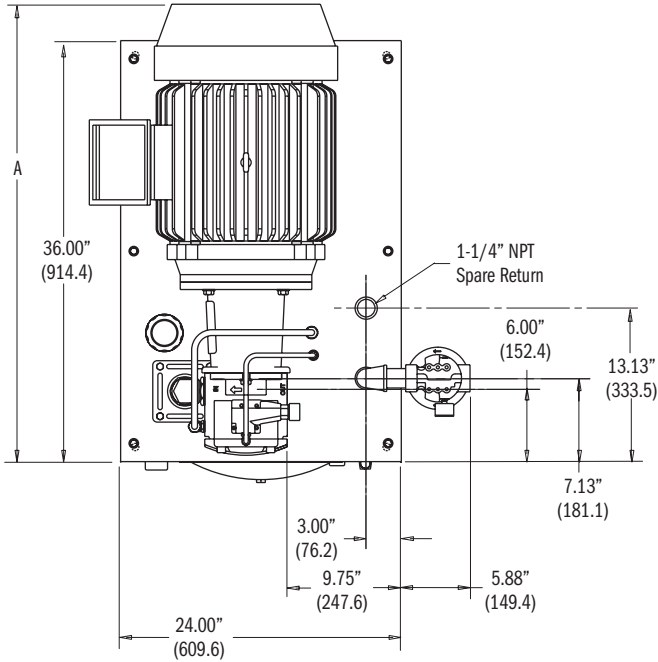


General Specifications	R35	R50
Reservoir Capacity	35 Gal. (132.5 liters)	50 Gal. (189.2 liters)
Surface area For Heat Transfer	13.44 sq. ft. (1.25 cm ²)	17.27 sq. ft. (1.60 cm ²)
Heat Dissipation	Sq. Ft. of Vertical Steel x ΔT / 1000	Sq. Ft. of Vertical Steel x ΔT / 1000
Basic Weight (Less oil, pump, and motor)	348 lbs. (157.9 kg)	385 lbs. (174.6 kg)
Usable Gallons	10.46 Gal. (39.6 liters)	23.31 Gal. (88.2 liters)
Gallons Per inch Rise	3.49 Gal. (13.2 liters)	3.49 Gal. (13.2 liters)
Capacity, Full to Top Plate	40.65 Gal. (153.9 liters)	57.18 Gal. (216.4 liters)
Capacity, High on Sight Gauge	33.56 Gal. (127.0 liters)	50.21 Gal. (190.0 liters)
Capacity, Low on Sight Gauge	23.10 Gal. (87.4 liters)	39.75 Gal. (150.4 liters)
Pump Data*		
Flow Range	Up to 8 gpm (30.3 lpm)	Up to 8 gpm (30.3 lpm)
Pressure Range	Up to 3000 psi (207 bar)	Up to 3000 psi (207 bar)
Power Range	Up to 20 HP (14.9 kW)	Up to 20 HP (14.9 kW)

*See Continental Hydraulics Vane or Piston Pump Catalogs for complete codes and specifications.

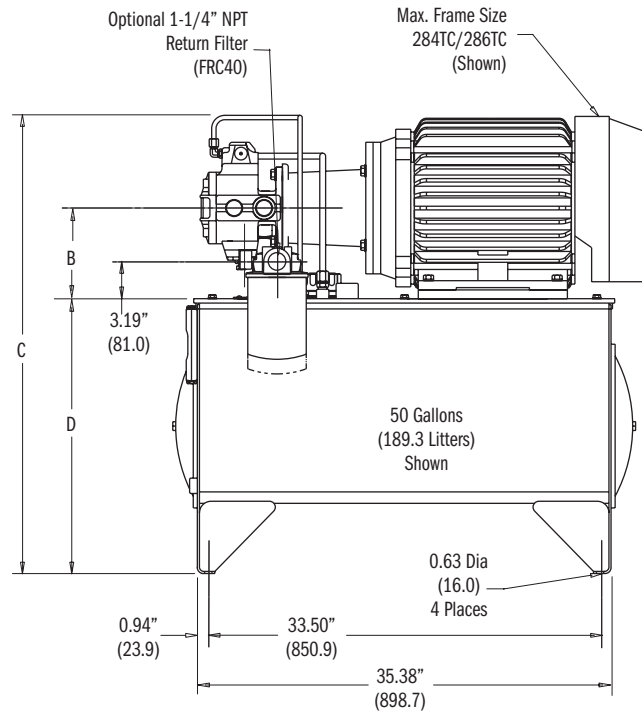
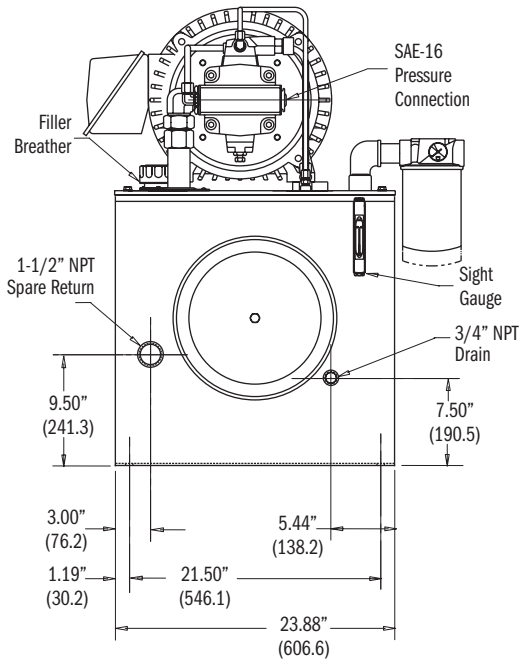
FEATURES:
35/50 GALLON PVX11/15 VANE PUMP

Dimensions:
inches (± .125")
millimeters (± 1 mm)

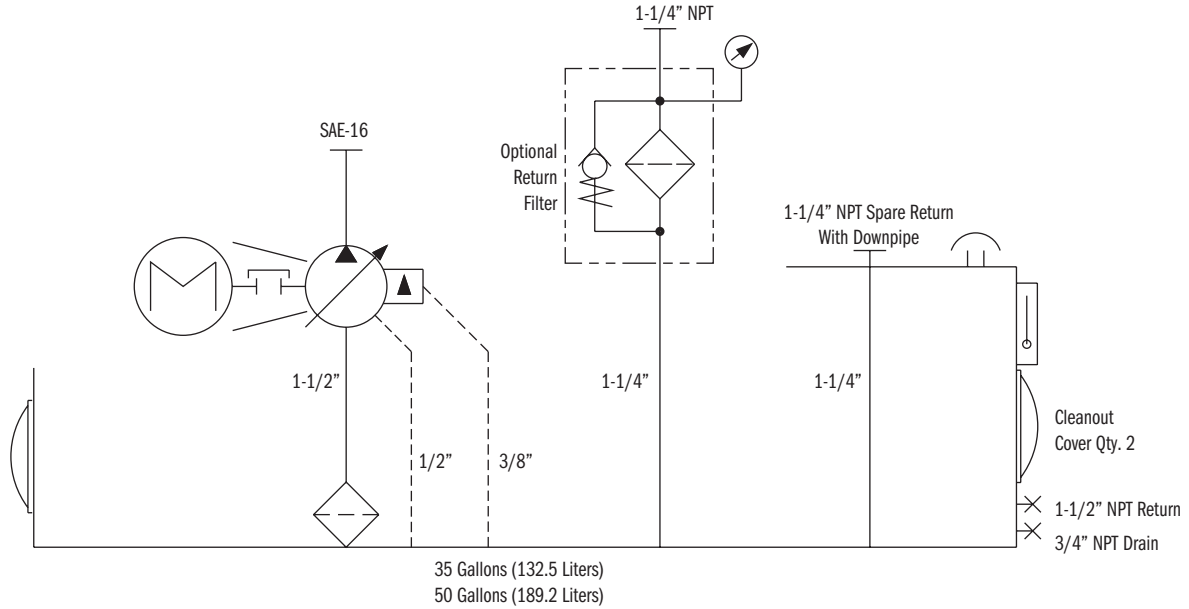


MOTOR FRAME	DIMENSIONS (± .125")			
	A	B	C	
			R35	R50
182TC	24.56 (623.8)	5.75 (146.0)	32.63 (828.2)	37.38 (949.5)
184TC	25.94 (658.9)	5.75 (146.0)	32.63 (828.2)	37.38 (949.5)
213TC	28.02 (711.7)	6.50 (165.1)	33.38 (847.9)	38.13 (968.5)
215TC	29.59 (751.6)	6.50 (165.1)	33.38 (847.9)	38.13 (968.5)
254TC	33.85 (859.8)	7.00 (177.8)	33.88 (860.6)	38.63 (981.2)
256TC	35.55 (903.0)	7.00 (177.8)	33.88 (860.6)	38.63 (981.2)
284TC	37.35 (948.7)	7.75 (196.8)	34.63 (879.6)	39.38 (1000.3)
286TC	38.85 (986.8)	7.75 (196.8)	34.63 (879.6)	39.38 (1000.3)

D	
R35	R50
18.75 (476.2)	23.50 (596.9)



► **SCHEMATIC & CODES:**
35/50 GALLON PVX11/15 VANE PUMP

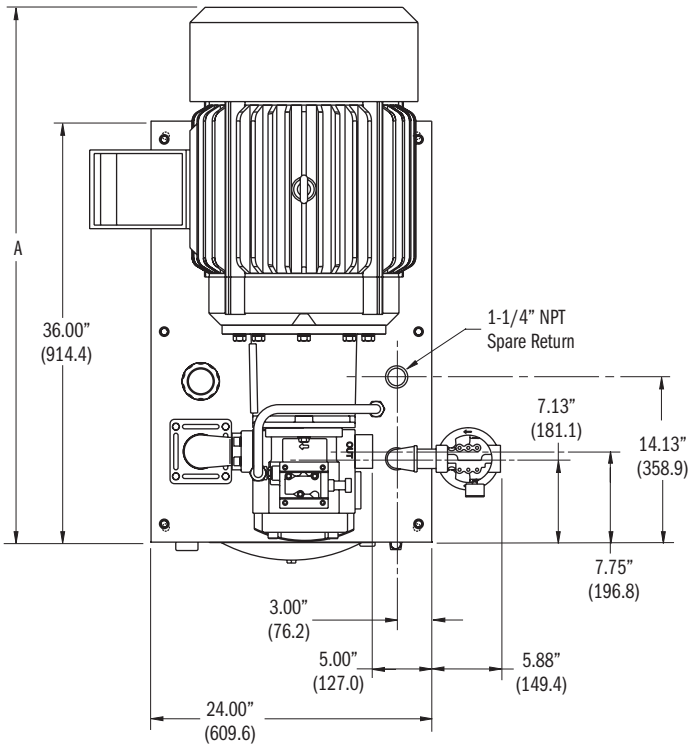


General Specifications	R35	R50
Reservoir Capacity	35 Gal. (132.5 liters)	50 Gal. (189.2 liters)
Surface area For Heat Transfer	13.44 sq. ft. (1.25 cm ²)	17.27 sq. ft. (1.60 cm ²)
Heat Dissipation	Sq. Ft. of Vertical Steel x ΔT / 1000	Sq. Ft. of Vertical Steel x ΔT / 1000
Basic Weight (Less oil, pump, and motor)	360 lbs. (163.3 kg)	398 lbs. (180.5 kg)
Usable Gallons	7.90 Gal. (29.9 liters)	19.72 Gal. (74.6 liters)
Gallons Per inch Rise	3.49 Gal. (13.2 liters)	3.49 Gal. (13.2 liters)
Capacity, Full to Top Plate	40.65 Gal. (153.9 liters)	57.18 Gal. (216.4 liters)
Capacity, High on Sight Gauge	33.56 Gal. (127.0 liters)	50.21 Gal. (190.0 liters)
Capacity, Low on Sight Gauge	23.10 Gal. (87.4 liters)	39.75 Gal. (150.4 liters)
Pump Data*		
Flow Range	Up to 15 gpm (56.8 lpm)	Up to 15 gpm (56.8 lpm)
Pressure Range	Up to 3000 psi (207 bar)	Up to 3000 psi (207 bar)
Power Range	Up to 30 HP (22.4 kW)	Up to 30 HP (22.4 kW)

*See Continental Hydraulics Vane or Piston Pump Catalogs for complete codes and specifications.

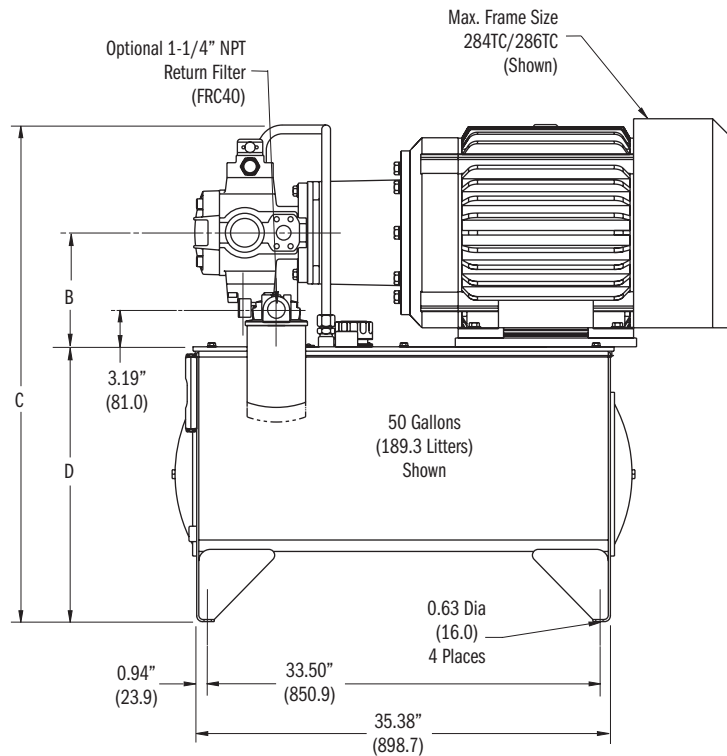
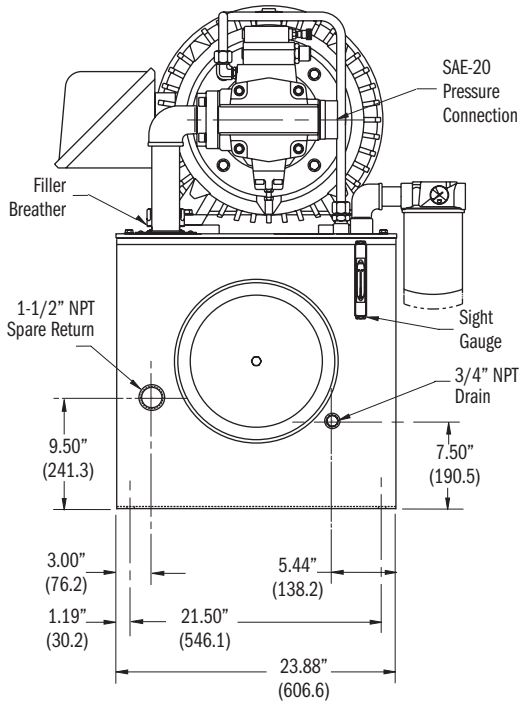
FEATURES:
35/50 GALLON PVX20/29/36 VANE PUMP

Dimensions:
inches (± .125")
millimeters (± 1 mm)

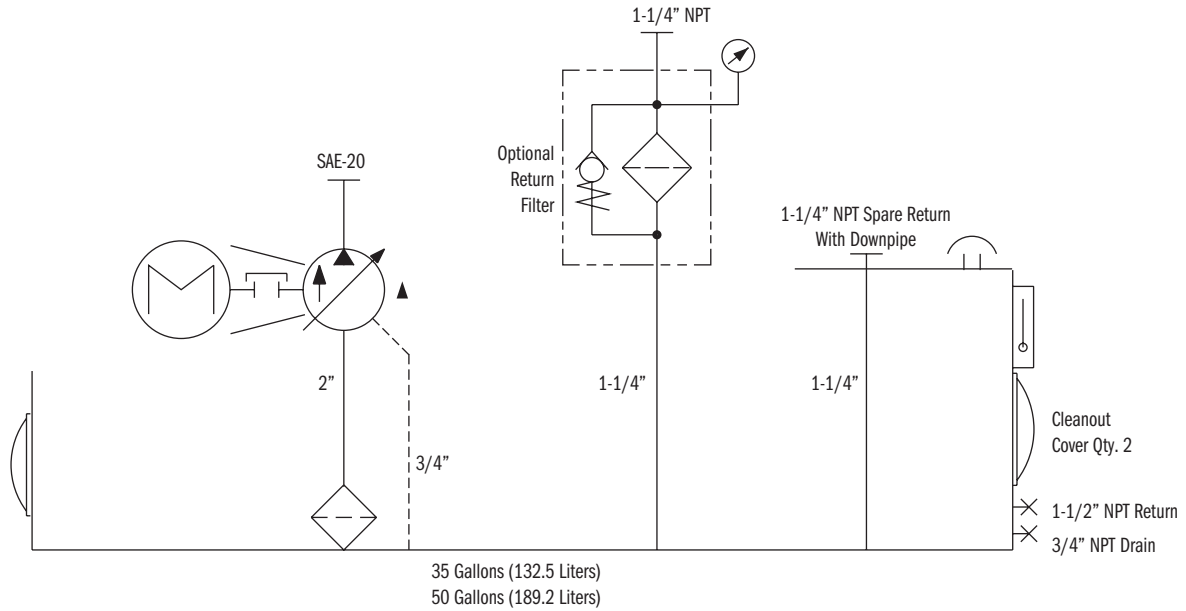


DIMENSIONS (± .125")				
MOTOR FRAME	A	B	C	
			R35	R50
254TC	36.07 (916.2)	7.00 (177.8)	36.00 (914.4)	40.75 (1035.0)
256TC	37.77 (959.4)	7.00 (177.8)	36.00 (914.4)	40.75 (1035.0)
284TC	39.57 (1005.1)	7.75 (196.8)	36.75 (933.4)	41.50 (1054.1)
286TC	41.07 (1043.2)	7.75 (196.8)	36.75 (933.4)	41.50 (1054.1)
324TC	42.61 (1082.3)	8.75 (222.2)	37.75 (958.8)	42.50 (1079.5)
326TC	42.61 (1082.3)	8.75 (222.2)	37.75 (958.8)	42.50 (1079.5)
364TC	46.11 (1171.2)	9.75 (247.6)	38.75 (984.2)	43.50 (1104.9)
365TC	46.11 (1171.2)	9.75 (247.6)	38.75 (984.2)	43.50 (1104.9)

D	
R35	R50
18.75 (476.2)	23.50 (596.9)



► **SCHEMATIC & CODES:**
35/50 GALLON PVX20/29/36 VANE PUMP

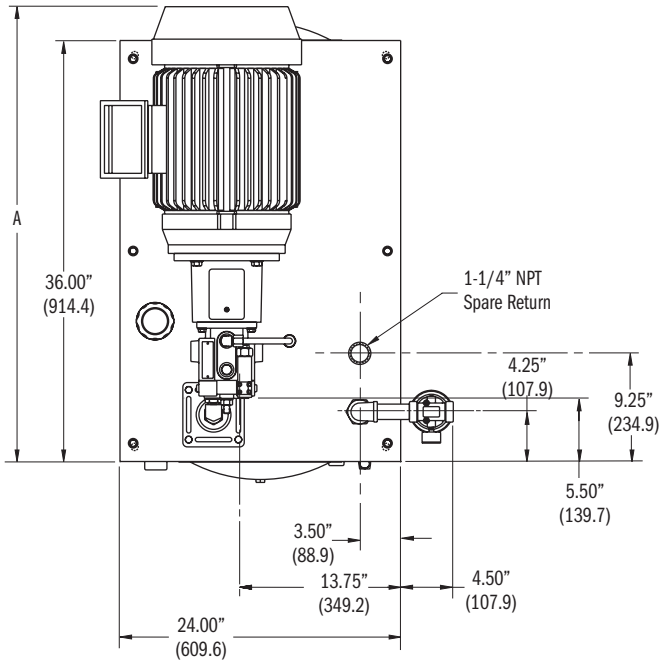


General Specifications	R35	R50
Reservoir Capacity	35 Gal. (132.5 liters)	50 Gal. (189.2 liters)
Surface area For Heat Transfer	13.44 sq. ft. (1.25 cm ²)	17.27 sq. ft. (1.60 cm ²)
Heat Dissipation	Sq. Ft. of Vertical Steel x ΔT / 1000	Sq. Ft. of Vertical Steel x ΔT / 1000
Basic Weight (Less oil, pump, and motor)	365 lbs. (165.6 kg)	403 lbs. (182.8 kg)
Usable Gallons	6.95 Gal. (26.3 liters)	18.72 Gal. (70.9 liters)
Gallons Per inch Rise	3.49 Gal. (13.2 liters)	3.49 Gal. (13.2 liters)
Capacity, Full to Top Plate	40.65 Gal. (153.9 liters)	57.18 Gal. (216.4 liters)
Capacity, High on Sight Gauge	33.56 Gal. (127.0 liters)	50.21 Gal. (190.0 liters)
Capacity, Low on Sight Gauge	23.10 Gal. (87.4 liters)	39.75 Gal. (150.4 liters)
Pump Data*		
Flow Range	Up to 36 gpm (136.2 lpm)	Up to 36 gpm (136.2 lpm)
Pressure Range	Up to 3000 psi (207 bar)	Up to 3000 psi (207 bar)
Power Range	Up to 75 HP (55.9 kW)	Up to 75 HP (55.9 kW)

*See Continental Hydraulics Vane or Piston Pump Catalogs for complete codes and specifications.

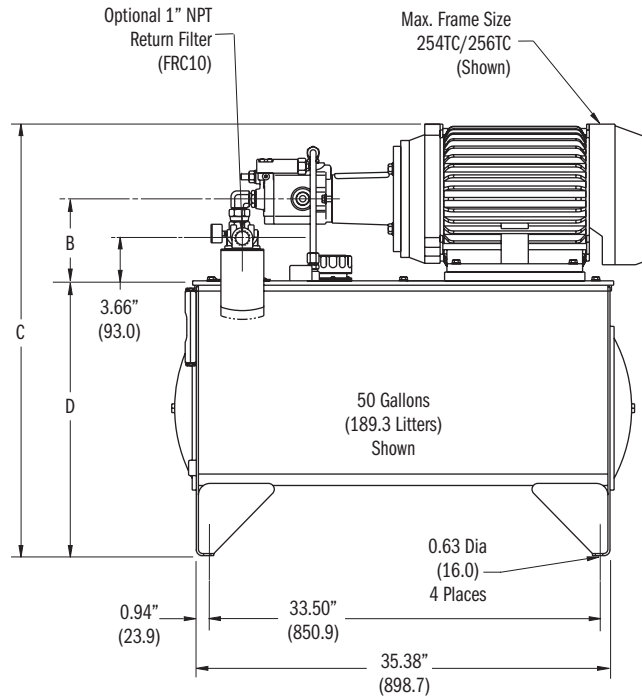
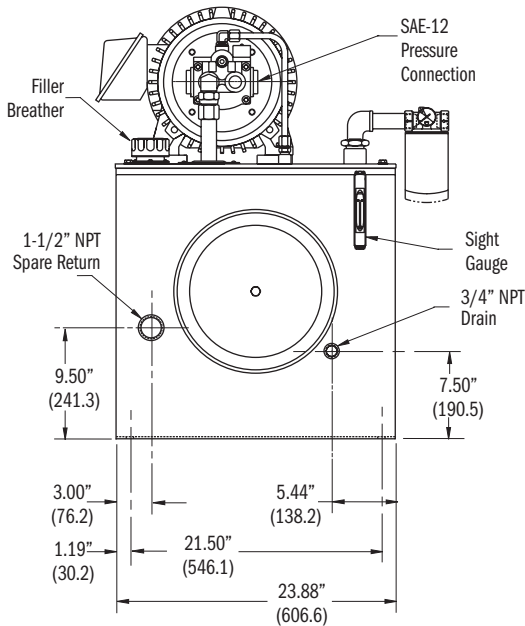
► **FEATURES:**
35/50 GALLON HPVR6 PISTON PUMP

Dimensions:
inches (± .125")
millimeters (± 1 mm)

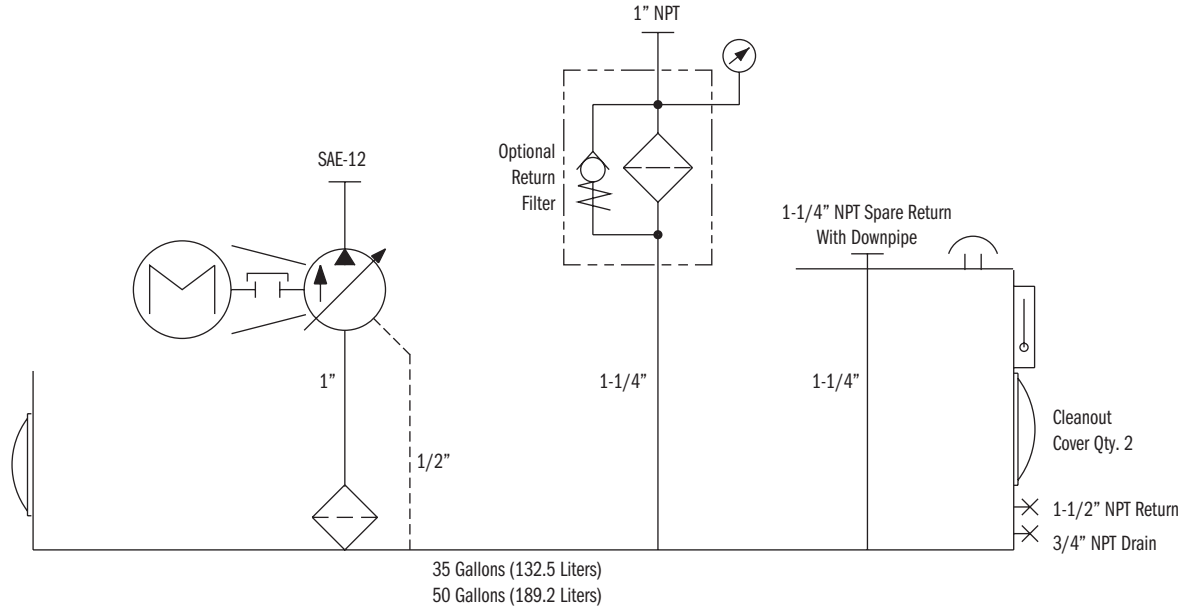


DIMENSIONS (± .125")				
MOTOR FRAME	A	B	C	
			R35	R50
182TC	29.10 (739.1)	5.75 (146.0)	29.40 (746.8)	34.19 (868.4)
184TC	30.09 (764.3)	5.75 (146.0)	29.40 (746.8)	34.19 (868.4)
213TC	32.24 (818.9)	6.50 (165.1)	30.88 (784.4)	35.63 (905.0)
215TC	33.73 (856.7)	6.50 (165.1)	30.88 (784.4)	35.63 (905.0)
254TC	37.70 (957.6)	7.00 (177.8)	32.38 (822.5)	37.13 (943.1)
256TC	39.32 (998.7)	7.00 (177.8)	32.38 (822.5)	37.13 (943.1)

D	
R35	R50
18.75 (476.2)	23.50 (596.9)



► **SCHEMATIC & CODES:**
35/50 GALLON HPVR6 PISTON PUMP

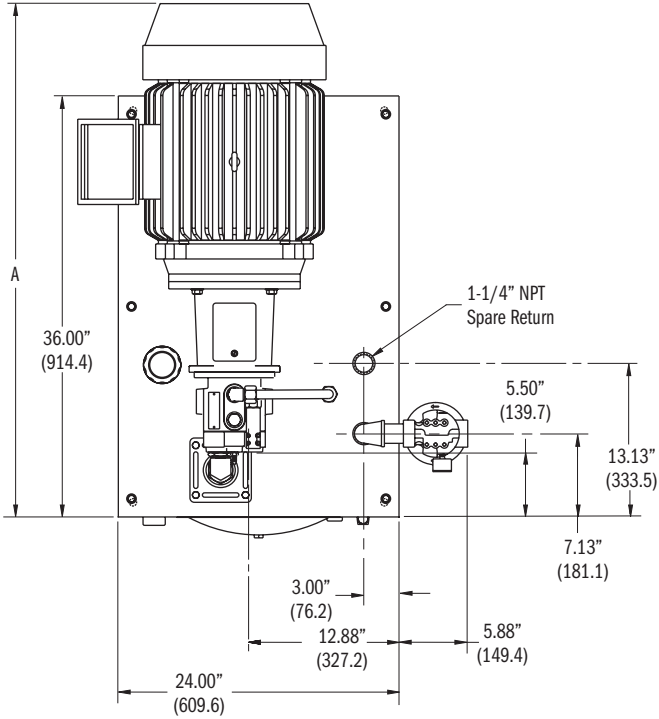


General Specifications	R35	R50
Reservoir Capacity	35 Gal. (132.5 liters)	50 Gal. (189.2 liters)
Surface area For Heat Transfer	13.44 sq. ft. (1.25 cm ²)	17.27 sq. ft. (1.60 cm ²)
Heat Dissipation	Sq. Ft. of Vertical Steel x ΔT / 1000	Sq. Ft. of Vertical Steel x ΔT / 1000
Basic Weight (Less oil, pump, and motor)	348 lbs. (157.9 kg)	385 lbs. (174.6 kg)
Usable Gallons	10.46 Gal. (39.6 liters)	23.31 Gal. (88.2 liters)
Gallons Per inch Rise	3.49 Gal. (13.2 liters)	3.49 Gal. (13.2 liters)
Capacity, Full to Top Plate	40.65 Gal. (153.9 liters)	57.18 Gal. (216.4 liters)
Capacity, High on Sight Gauge	33.56 Gal. (127.0 liters)	50.21 Gal. (190.0 liters)
Capacity, Low on Sight Gauge	23.10 Gal. (87.4 liters)	39.75 Gal. (150.4 liters)
Pump Data*		
Flow Range	Up to 8 gpm (30.3 lpm)	Up to 8 gpm (30.3 lpm)
Pressure Range	Up to 3000 psi (207 bar)	Up to 3000 psi (207 bar)
Power Range	Up to 20 HP (14.9 kW)	Up to 20 HP (14.9 kW)

*See Continental Hydraulics Vane or Piston Pump Catalogs for complete codes and specifications.

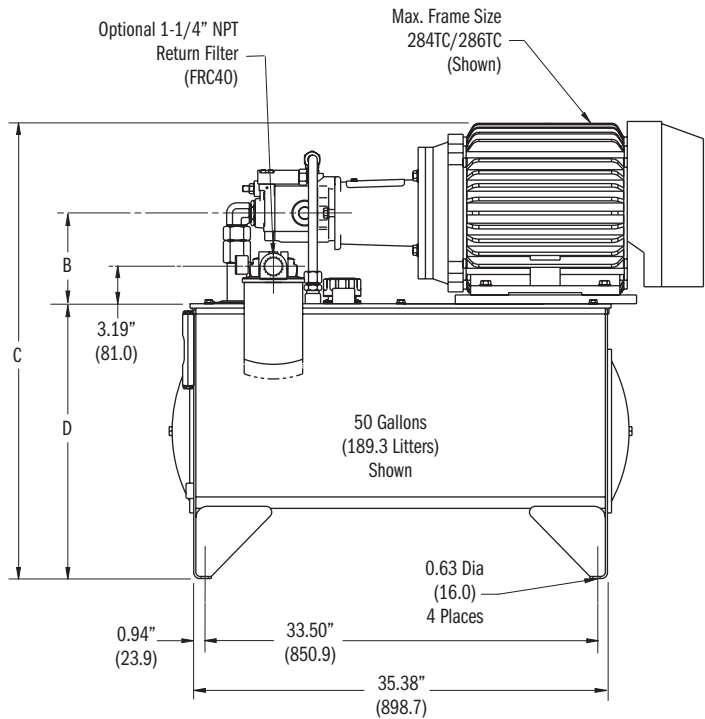
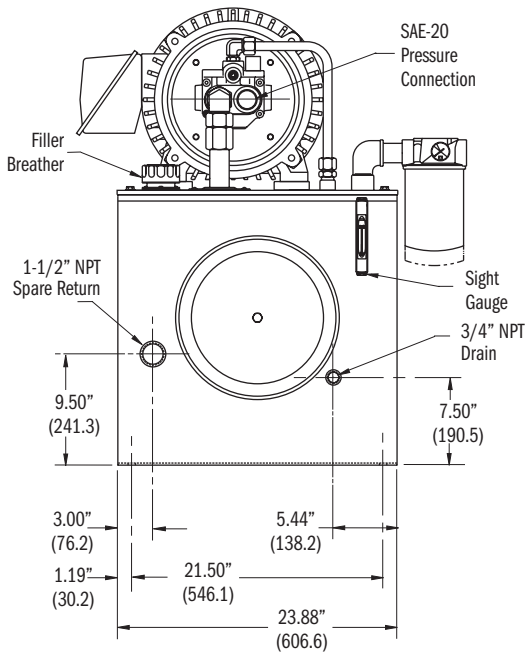
► **FEATURES:**
35/50 GALLON HPVR10 PISTON PUMP

Dimensions:
inches (± .125")
millimeters (± 1 mm)

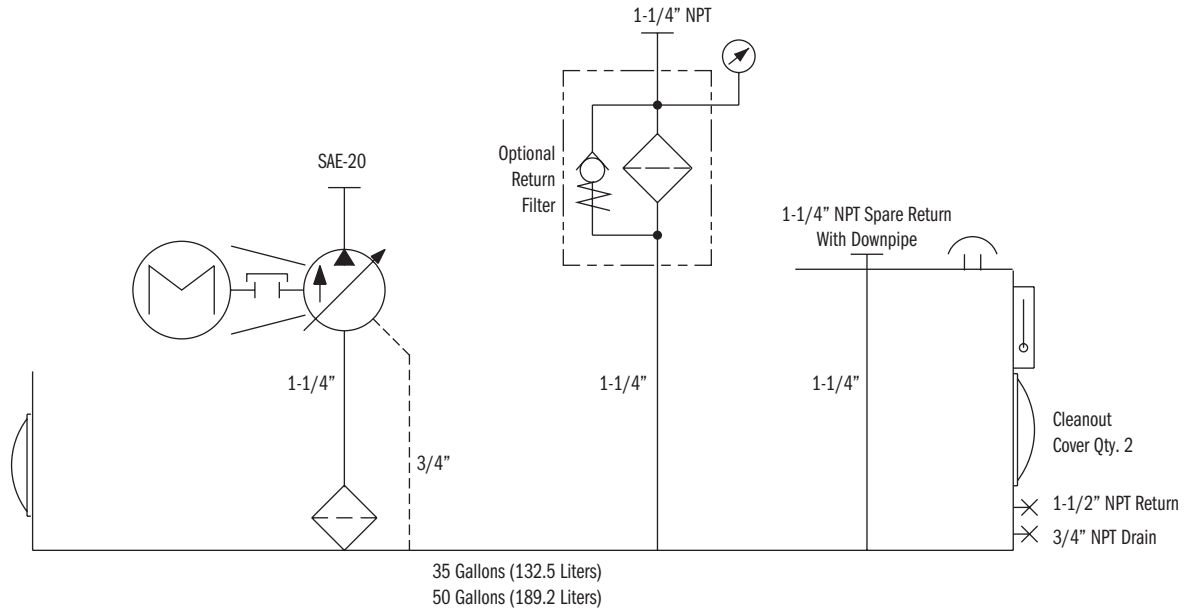


DIMENSIONS (± .125")				
MOTOR FRAME	A	B	C	
			R35	R50
182TC	29.76 (755.9)	5.75 (146.0)	29.40 (746.8)	34.19 (868.4)
184TC	30.75 (781.0)	5.75 (146.0)	29.40 (746.8)	34.19 (868.4)
213TC	33.28 (845.3)	6.50 (165.1)	30.88 (784.4)	35.63 (905.0)
215TC	34.77 (883.2)	6.50 (165.1)	30.88 (784.4)	35.63 (905.0)
254TC	39.11 (993.4)	7.00 (177.8)	32.38 (822.5)	37.13 (943.1)
256TC	40.81 (1082.3)	7.00 (177.8)	32.38 (822.5)	37.13 (943.1)
284TC	42.61 (1082.3)	7.75 (196.8)	33.38 (847.9)	38.63 (981.2)
286TC	43.11 (1095.0)	7.75 (196.8)	33.38 (847.9)	38.63 (981.2)

D	
R35	R50
18.75 (476.2)	23.50 (596.9)



► **SCHEMATIC & CODES:**
35/50 GALLON HPVR10 PISTON PUMP

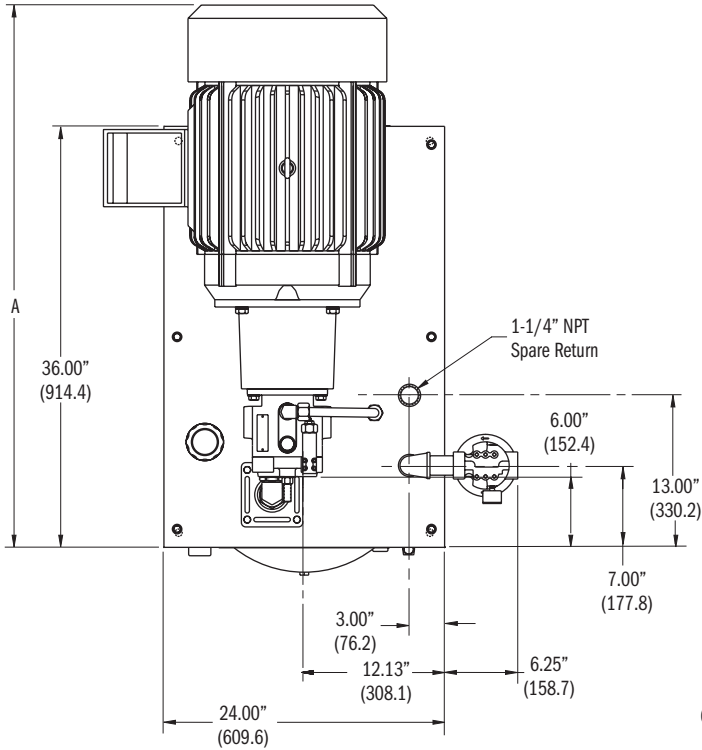


General Specifications	R35	R50
Reservoir Capacity	35 Gal. (132.5 liters)	50 Gal. (189.2 liters)
Surface area For Heat Transfer	13.44 sq. ft. (1.25 cm ²)	17.27 sq. ft. (1.60 cm ²)
Heat Dissipation	Sq. Ft. of Vertical Steel x ΔT / 1000	Sq. Ft. of Vertical Steel x ΔT / 1000
Basic Weight (Less oil, pump, and motor)	360 lbs. (163.3 kg)	398 lbs. (180.5 kg)
Usable Gallons	7.90 Gal. (29.9 liters)	19.72 Gal. (74.6 liters)
Gallons Per inch Rise	3.49 Gal. (13.2 liters)	3.49 Gal. (13.2 liters)
Capacity, Full to Top Plate	40.65 Gal. (153.9 liters)	57.18 Gal. (216.4 liters)
Capacity, High on Sight Gauge	33.56 Gal. (127.0 liters)	50.21 Gal. (190.0 liters)
Capacity, Low on Sight Gauge	23.10 Gal. (87.4 liters)	39.75 Gal. (150.4 liters)
Pump Data*		
Flow Range	Up to 10 gpm (37.8 lpm)	Up to 10 gpm (37.8 lpm)
Pressure Range	Up to 3500 psi (241 bar)	Up to 3500 psi (241 bar)
Power Range	Up to 30 HP (22.4 kW)	Up to 30 HP (22.4 kW)

*See Continental Hydraulics Vane or Piston Pump Catalogs for complete codes and specifications.

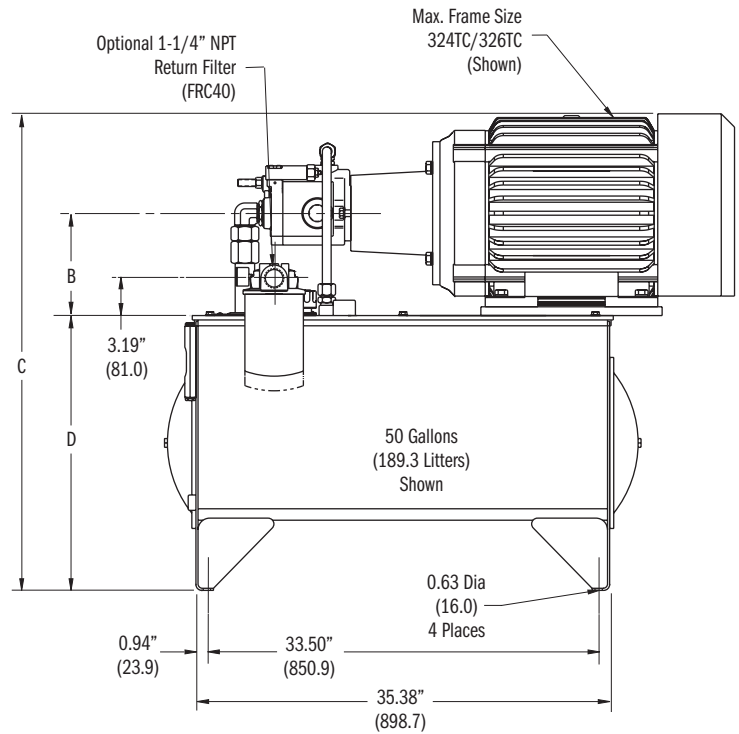
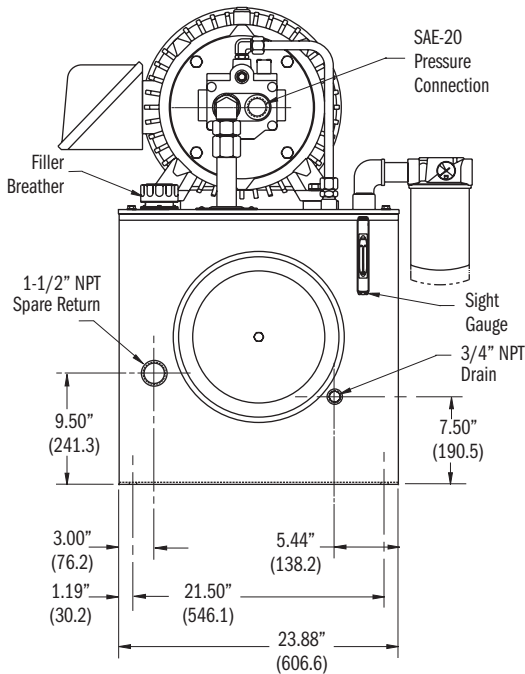
► **FEATURES:**
35/50 GALLON HPVR15 PISTON PUMP

Dimensions:
inches (± .125")
millimeters (± 1 mm)

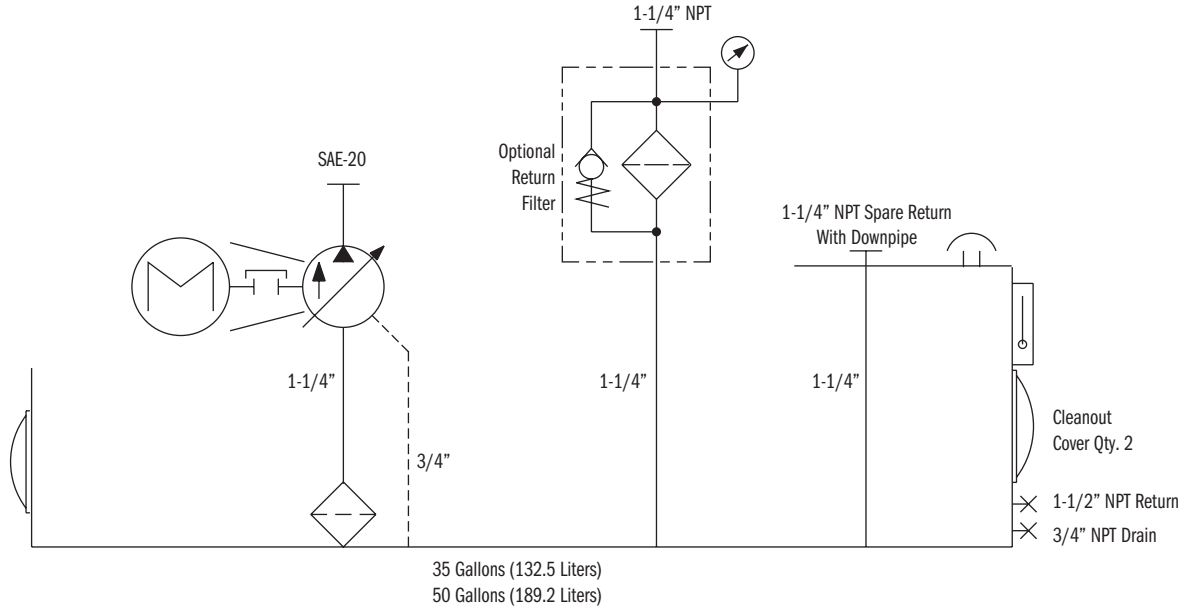


DIMENSIONS (± .125")				
MOTOR FRAME	A	B	C	
			R35	R50
254TC	40.31 (1023.6)	7.00 (177.8)	32.38 (822.5)	37.13 (943.1)
256TC	42.00 (1066.8)	7.00 (177.8)	32.38 (822.5)	37.13 (943.1)
284TC	43.80 (1112.5)	7.75 (196.8)	33.38 (847.9)	38.63 (981.2)
286TC	45.30 (1150.6)	7.75 (196.8)	33.38 (847.9)	38.63 (981.2)
324TC	46.84 (1189.7)	8.75 (222.2)	35.85 (910.6)	40.60 (1031.2)
326TC	46.84 (1189.7)	8.75 (222.2)	35.85 (910.6)	40.60 (1031.2)

D	
R35	R50
18.75 (476.2)	23.50 (596.9)



► **SCHEMATIC & CODES:**
35/50 GALLON HPVR15 PISTON PUMP

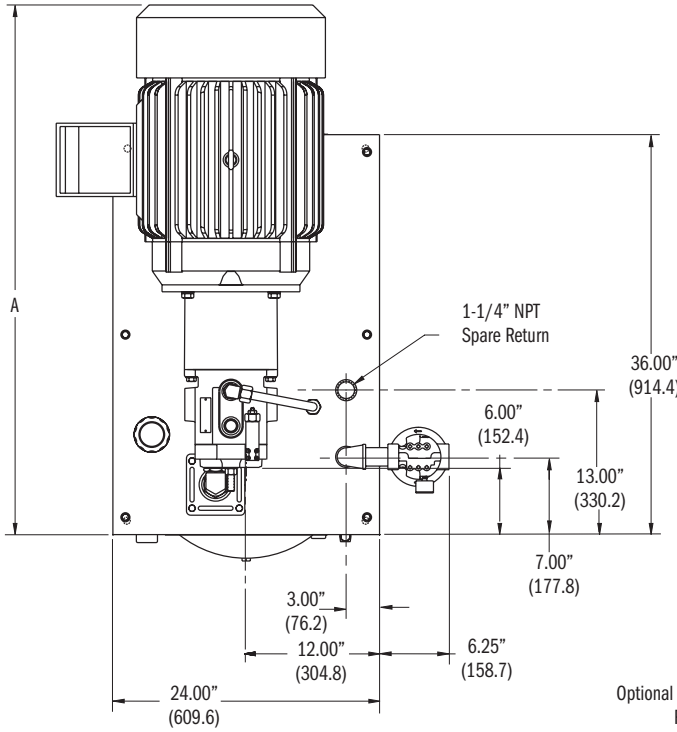


General Specifications	R35	R50
Reservoir Capacity	35 Gal. (132.5 liters)	50 Gal. (189.2 liters)
Surface area For Heat Transfer	13.44 sq. ft. (1.25 cm ²)	17.27 sq. ft. (1.60 cm ²)
Heat Dissipation	Sq. Ft. of Vertical Steel x ΔT / 1000	Sq. Ft. of Vertical Steel x ΔT / 1000
Basic Weight (Less oil, pump, and motor)	363 lbs. (164.7 kg)	403 lbs. (182.8 kg)
Usable Gallons	7.90 Gal. (29.9 liters)	19.72 Gal. (74.6 liters)
Gallons Per inch Rise	3.49 Gal. (13.2 liters)	3.49 Gal. (13.2 liters)
Capacity, Full to Top Plate	40.65 Gal. (153.9 liters)	57.18 Gal. (216.4 liters)
Capacity, High on Sight Gauge	33.56 Gal. (127.0 liters)	50.21 Gal. (190.0 liters)
Capacity, Low on Sight Gauge	23.10 Gal. (87.4 liters)	39.75 Gal. (150.4 liters)
Pump Data*		
Flow Range	Up to 10 gpm (75.7 lpm)	Up to 10 gpm (75.7 lpm)
Pressure Range	Up to 3500 psi (241 bar)	Up to 3500 psi (241 bar)
Power Range	Up to 50 HP (37.3 kW)	Up to 50 HP (37.3 kW)

*See Continental Hydraulics Vane or Piston Pump Catalogs for complete codes and specifications.

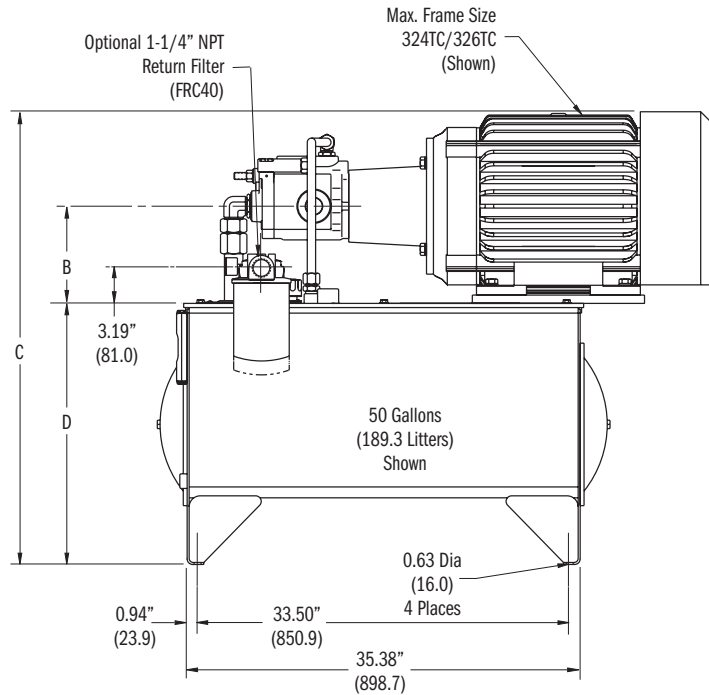
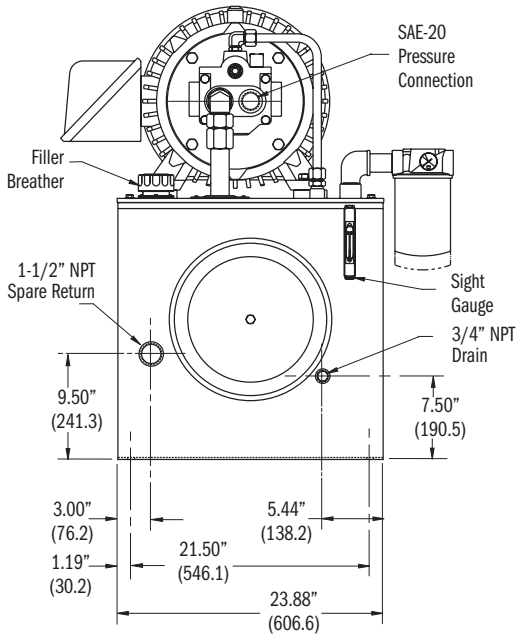
► **FEATURES:**
35/50 GALLON HPVR20 PISTON PUMP

Dimensions:
inches (± .125")
millimeters (± 1 mm)

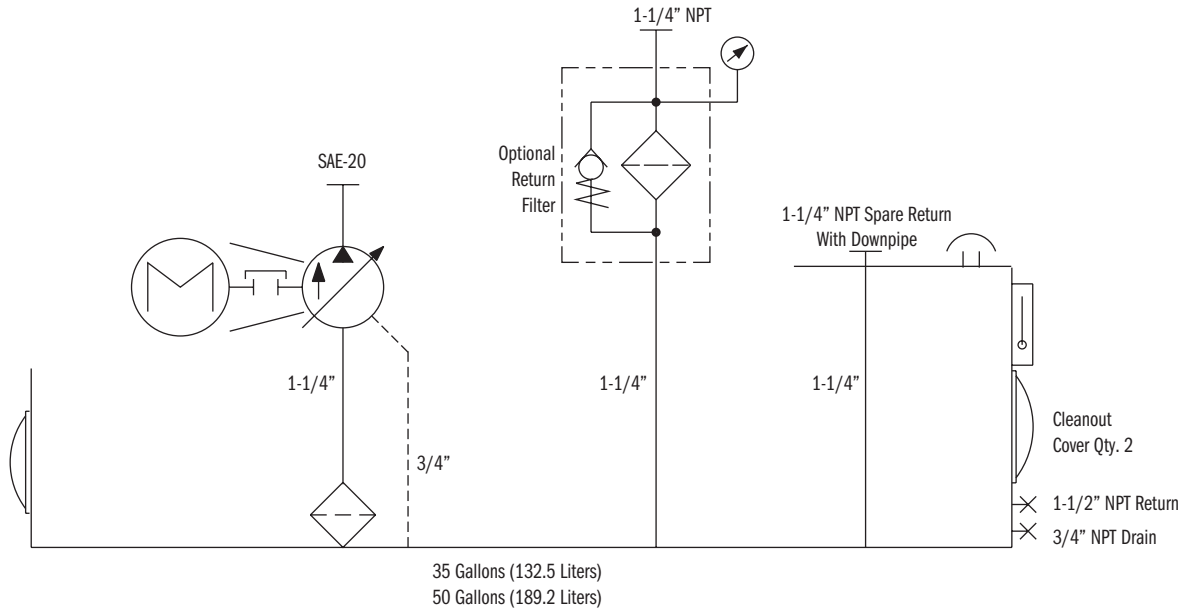


DIMENSIONS (± .125")				
MOTOR FRAME	A	B	C	
			R35	R50
254TC	41.09 (1043.7)	7.00 (177.8)	32.38 (822.5)	37.13 (943.1)
256TC	42.79 (1086.9)	7.00 (177.8)	32.38 (822.5)	37.13 (943.1)
284TC	44.59 (1132.6)	7.75 (196.8)	33.38 (847.9)	38.63 (981.2)
286TC	46.09 (1170.7)	7.75 (196.8)	33.38 (847.9)	38.63 (981.2)
324TC	47.63 (1209.8)	8.75 (222.2)	35.85 (910.6)	40.60 (1031.2)
326TC	47.63 (1209.8)	8.75 (222.2)	35.85 (910.6)	40.60 (1031.2)

D	
R35	R50
18.75 (476.2)	23.50 (596.9)



► **SCHEMATIC & CODES:**
35/50 GALLON HPVR20 PISTON PUMP

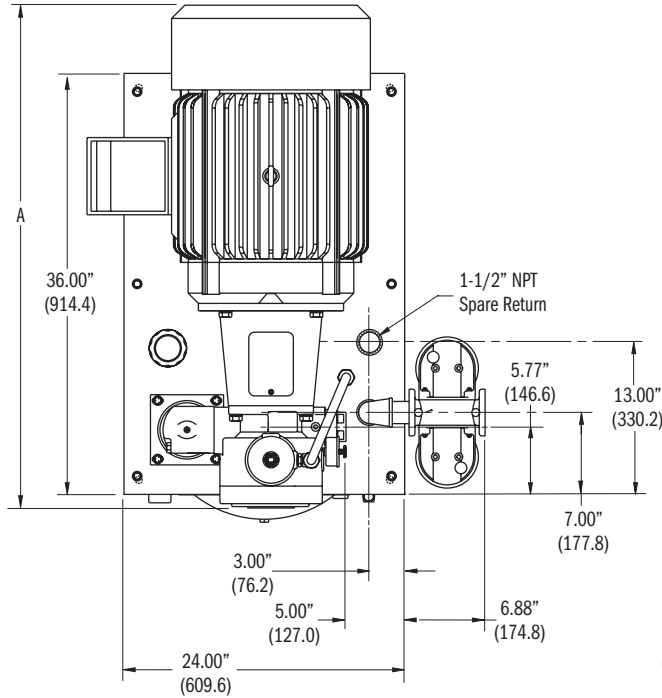


General Specifications	R35	R50
Reservoir Capacity	35 Gal. (132.5 liters)	50 Gal. (189.2 liters)
Surface area For Heat Transfer	13.44 sq. ft. (1.25 cm ²)	17.27 sq. ft. (1.60 cm ²)
Heat Dissipation	Sq. Ft. of Vertical Steel x ΔT / 1000	Sq. Ft. of Vertical Steel x ΔT / 1000
Basic Weight (Less oil, pump, and motor)	366 lbs. (166.0 kg)	409 lbs. (185.2 kg)
Usable Gallons	6.95 Gal. (26.3 liters)	18.72 Gal. (70.9 liters)
Gallons Per inch Rise	3.49 Gal. (13.2 liters)	3.49 Gal. (13.2 liters)
Capacity, Full to Top Plate	40.65 Gal. (153.9 liters)	57.18 Gal. (216.4 liters)
Capacity, High on Sight Gauge	33.56 Gal. (127.0 liters)	50.21 Gal. (190.0 liters)
Capacity, Low on Sight Gauge	23.10 Gal. (87.4 liters)	39.75 Gal. (150.4 liters)
Pump Data*		
Flow Range	Up to 20 gpm (75.7 lpm)	Up to 20 gpm (75.7 lpm)
Pressure Range	Up to 3500 psi (241 bar)	Up to 3500 psi (241 bar)
Power Range	Up to 50 HP (37.3 kW)	Up to 50 HP (37.3 kW)

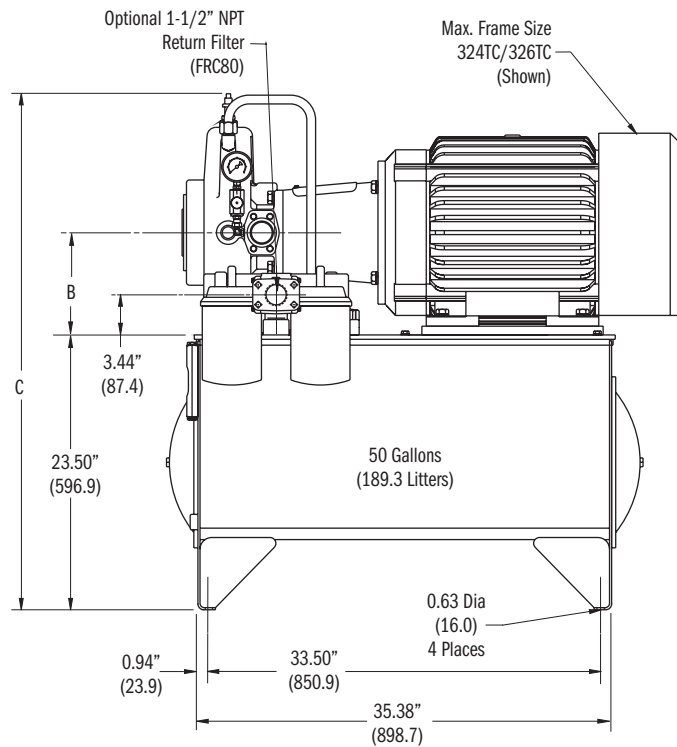
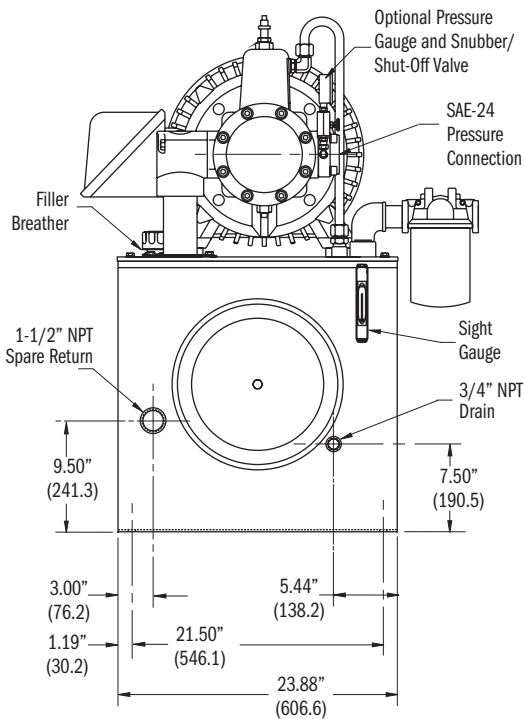
*See Continental Hydraulics Vane or Piston Pump Catalogs for complete codes and specifications.

► **FEATURES:**
50 GALLON HPVR50 PISTON PUMP

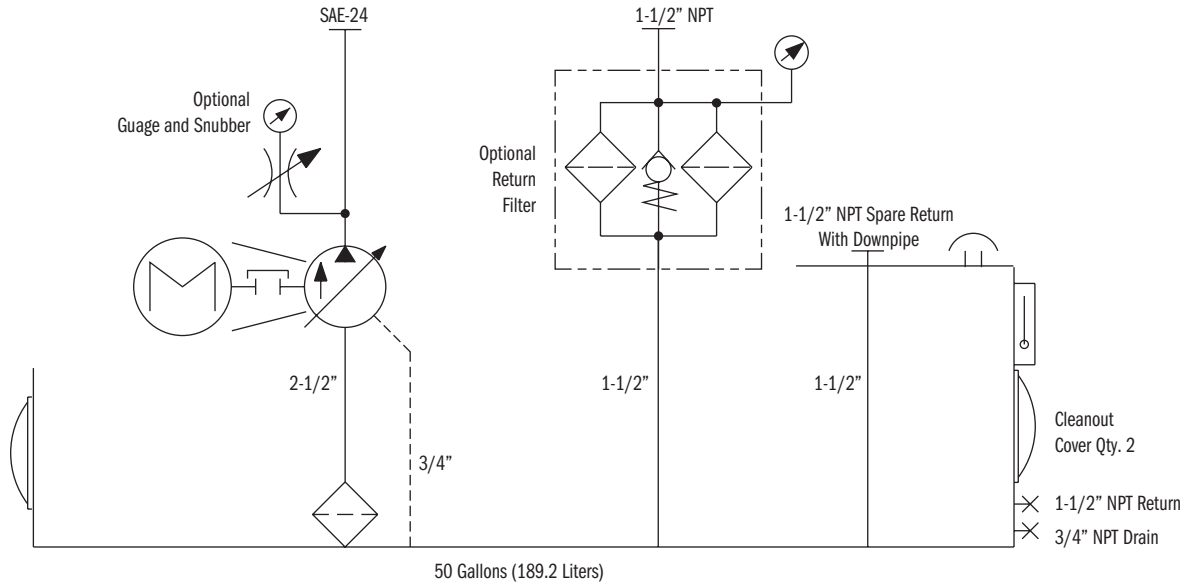
Dimensions:
inches (± .125")
millimeters (± 1 mm)



DIMENSIONS (± .125")			
MOTOR FRAME	A	B	C
254TC	35.48 (901.2)	7.00 (177.8)	42.41 (1077.2)
256TC	37.18 (944.4)	7.00 (177.8)	42.41 (1077.2)
284TC	39.11 (993.4)	7.75 (196.8)	43.16 (1096.3)
286TC	40.61 (1031.5)	7.75 (196.8)	43.16 (1096.3)
324TC	42.52 (1080.0)	8.75 (222.2)	44.16 (1121.7)
326TC	42.52 (1080.0)	8.75 (222.2)	44.16 (1121.7)



► **SCHEMATIC & CODES:**
50 GALLON HPVR50 PISTON PUMP

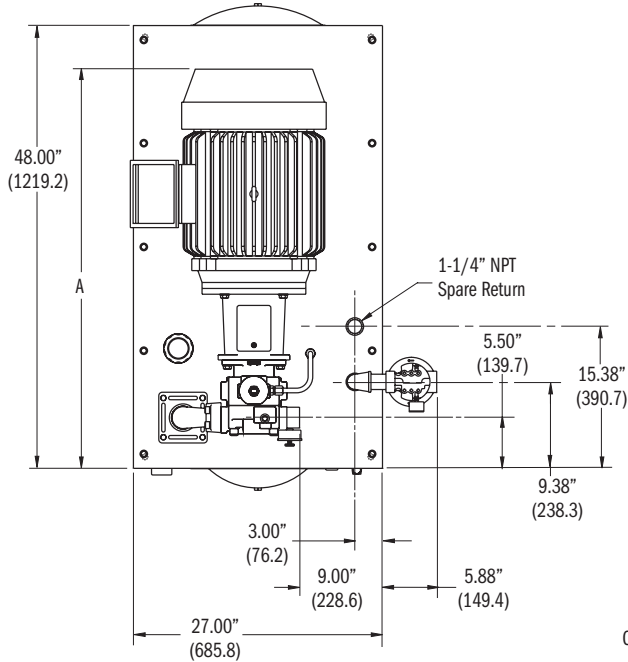


General Specifications	R50
Reservoir Capacity	50 Gal. (189.2 liters)
Surface area For Heat Transfer	17.27 sq. ft. (1.60 cm ²)
Heat Dissipation	Sq. Ft. of Vertical Steel x ΔT / 1000
Basic Weight (Less oil, pump, and motor)	455 lbs. (206.4 kg)
Usable Gallons	14.07 Gal. (16.3 liters)
Gallons Per inch Rise	3.49 Gal. (13.2 liters)
Capacity, Full to Top Plate	57.18 Gal. (216.4 liters)
Capacity, High on Sight Gauge	50.21 Gal. (190.0 liters)
Capacity, Low on Sight Gauge	39.75 Gal. (150.4 liters)
Pump Data*	
Flow Range	Up to 70 gpm (264.9 lpm)
Pressure Range	Up to 2000 psi (138 bar)
Power Range	Up to 50 HP (37.3 kW)

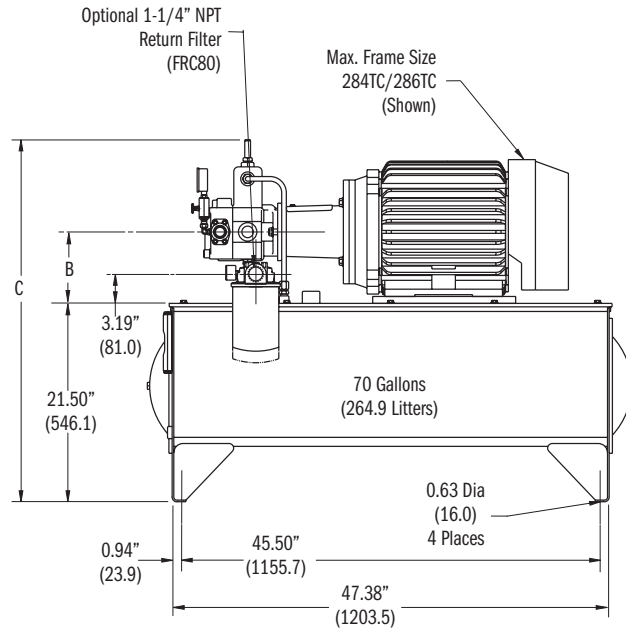
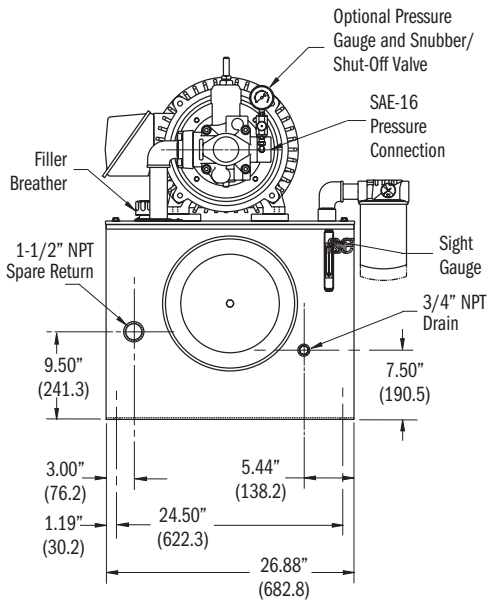
*See Continental Hydraulics Vane or Piston Pump Catalogs for complete codes and specifications.

FEATURES:
70 GALLON PVR15 VANE PUMP

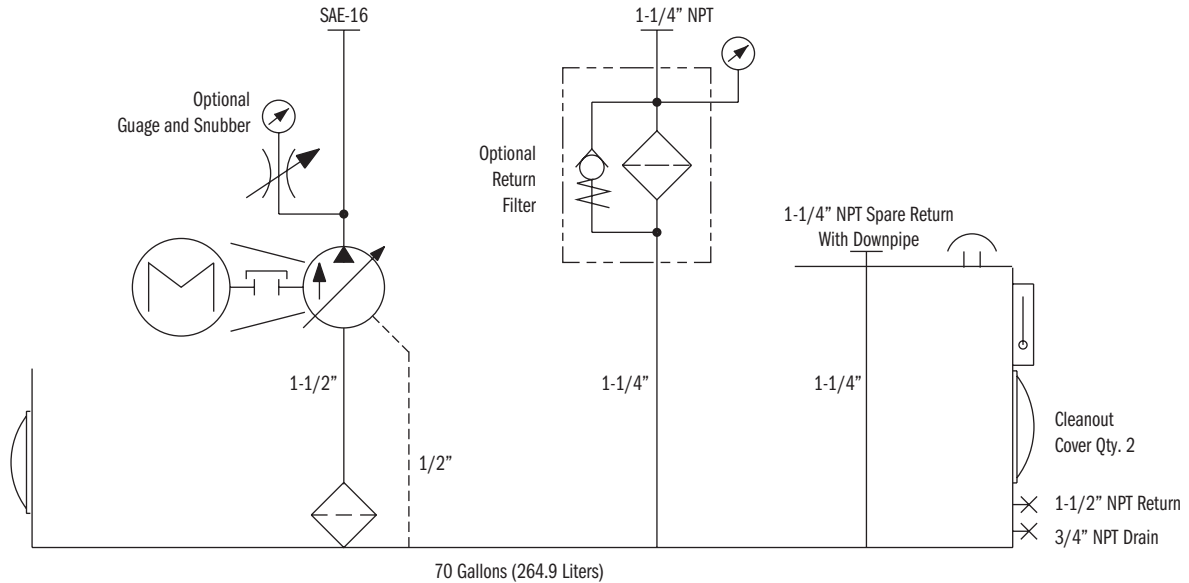
Dimensions:
inches (± .125")
millimeters (± 1 mm)



DIMENSIONS (± .125")			
MOTOR FRAME	A	B	C
182TC	29.18 (741.2)	5.75 (146.0)	37.25 (946.1)
184TC	30.17 (766.3)	5.75 (146.0)	37.25 (946.1)
213TC	32.20 (817.9)	6.50 (165.1)	38.00 (965.2)
215TC	33.69 (855.7)	6.50 (165.1)	38.00 (965.2)
254TC	35.48 (901.2)	7.00 (177.8)	42.41 (1077.2)
256TC	37.18 (944.4)	7.00 (177.8)	42.41 (1077.2)
284TC	39.11 (993.4)	7.75 (196.8)	43.16 (1096.3)
286TC	40.61 (1031.5)	7.75 (196.8)	43.16 (1096.3)



► **SCHEMATIC & CODES:**
70 GALLON PVR15 VANE PUMP

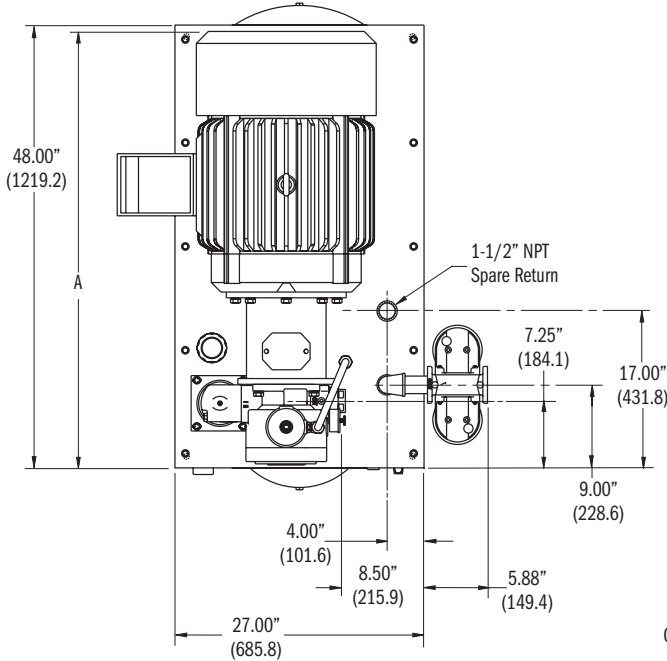


General Specifications	R70
Reservoir Capacity	70 Gal. (254.9 liters)
Surface area For Heat Transfer	21.16 sq. ft. (1.97 cm ²)
Heat Dissipation	Sq. Ft. of Vertical Steel x ΔT / 1000
Basic Weight (Less oil, pump, and motor)	510 lbs. (231.3 kg)
Usable Gallons	18.68 Gal. (70.7 liters)
Gallons Per inch Rise	5.29 Gal. (20.0 liters)
Capacity, Full to Top Plate	75.89 Gal. (287.2 liters)
Capacity, High on Sight Gauge	65.75 Gal. (248.9 liters)
Capacity, Low on Sight Gauge	48.75 Gal. (184.5 liters)
Pump Data*	
Flow Range	Up to 30 gpm (113.5 lpm)
Pressure Range	Up to 2000 psi (138 bar)
Power Range	Up to 30 HP (22.4 kW)

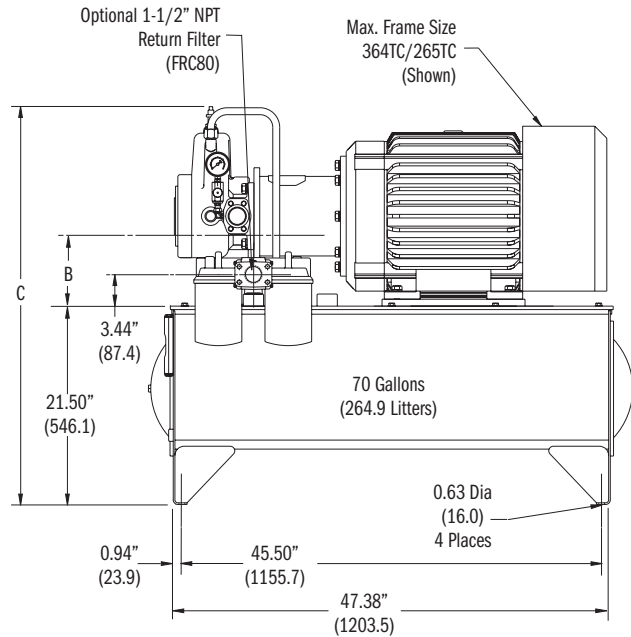
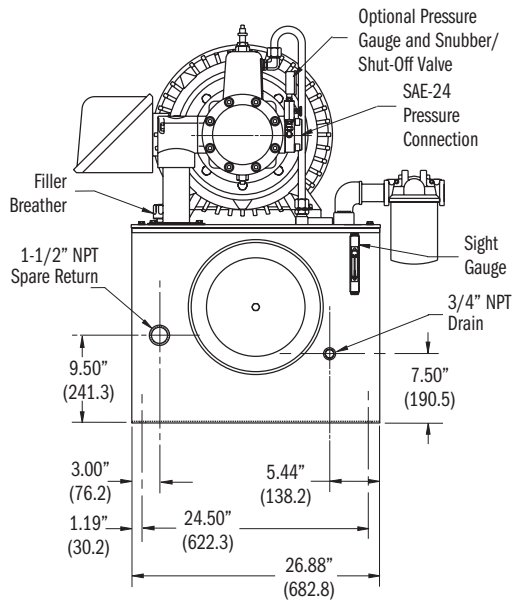
*See Continental Hydraulics Vane or Piston Pump Catalogs for complete codes and specifications.

FEATURES:
70 GALLON PVR50 VANE PUMP

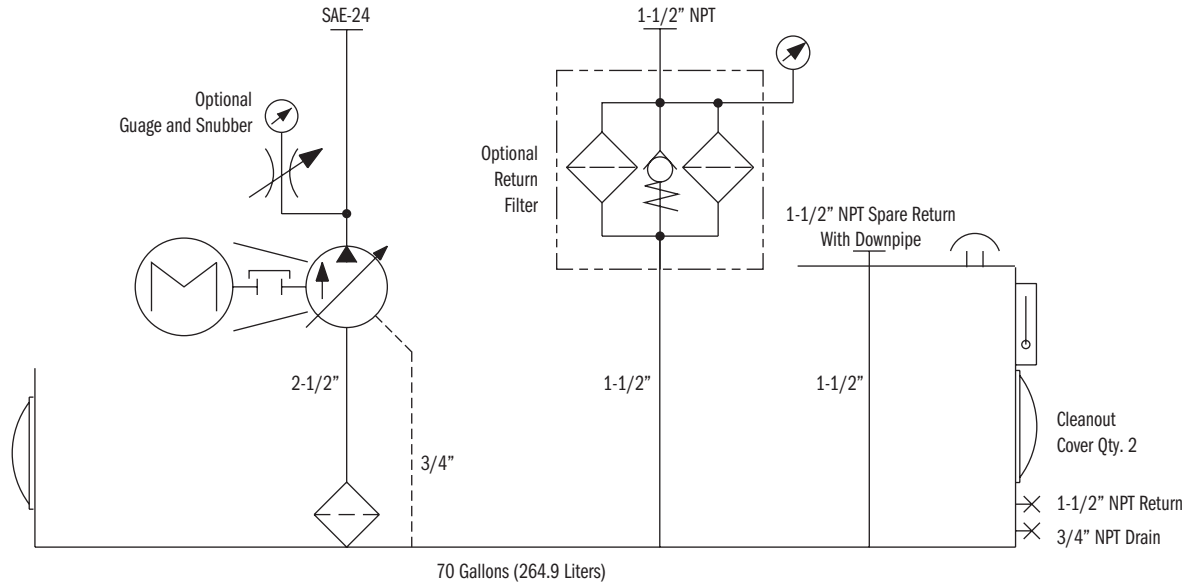
Dimensions:
inches (± .125")
millimeters (± 1 mm)



DIMENSIONS (± .125")			
MOTOR FRAME	A	B	C
254TC	36.21 (919.7)	7.00 (177.8)	40.41 (1026.4)
256TC	37.91 (962.9)	7.00 (177.8)	40.41 (1026.4)
284TC	39.84 (1011.9)	7.75 (196.8)	41.46 (1053.1)
286TC	41.34 (1050.0)	7.75 (196.8)	41.46 (1053.1)
324TC	43.25 (1098.5)	8.75 (222.2)	42.16 (1070.9)
326TC	43.25 (1098.5)	8.75 (222.2)	42.16 (1070.9)
364TC	46.88 (1190.8)	9.75 (247.6)	43.16 (1096.3)
365TC	46.88 (1190.8)	9.75 (247.6)	43.16 (1096.3)



► **SCHEMATIC & CODES:**
70 GALLON PVR50 VANE PUMP

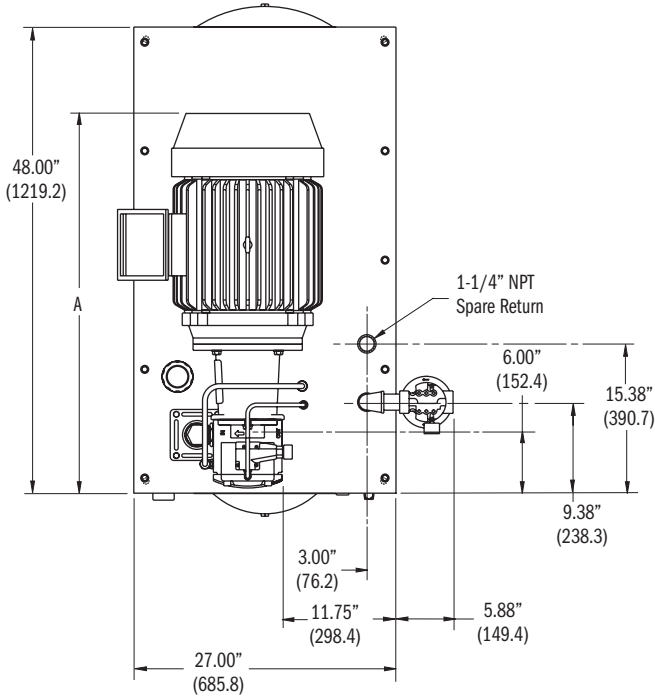


General Specifications	R70
Reservoir Capacity	70 Gal. (254.9 liters)
Surface area For Heat Transfer	21.16 sq. ft. (1.97 cm ²)
Heat Dissipation	Sq. Ft. of Vertical Steel x ΔT / 1000
Basic Weight (Less oil, pump, and motor)	570 lbs. (258.6 kg)
Usable Gallons	10.12 Gal. (38.3 liters)
Gallons Per inch Rise	5.29 Gal. (20.0 liters)
Capacity, Full to Top Plate	75.89 Gal. (287.2 liters)
Capacity, High on Sight Gauge	65.75 Gal. (248.9 liters)
Capacity, Low on Sight Gauge	48.75 Gal. (184.5 liters)
Pump Data*	
Flow Range	Up to 70 gpm (259.9 lpm)
Pressure Range	Up to 2000 psi (138 bar)
Power Range	Up to 75 HP (55.9 kW)

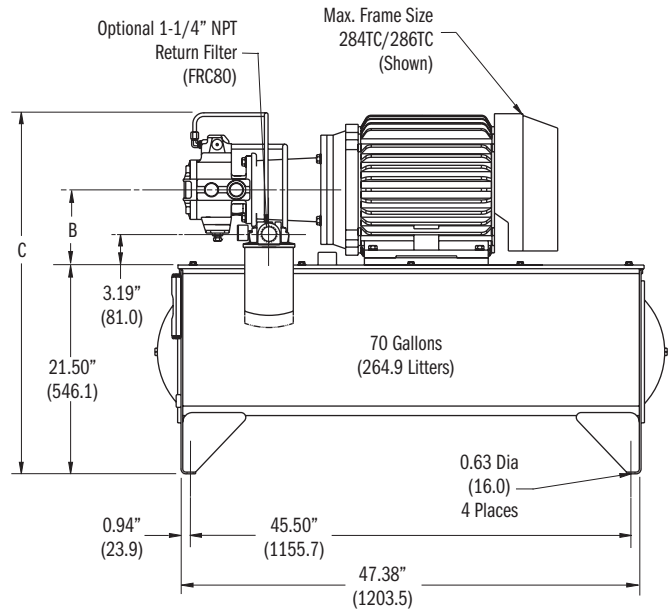
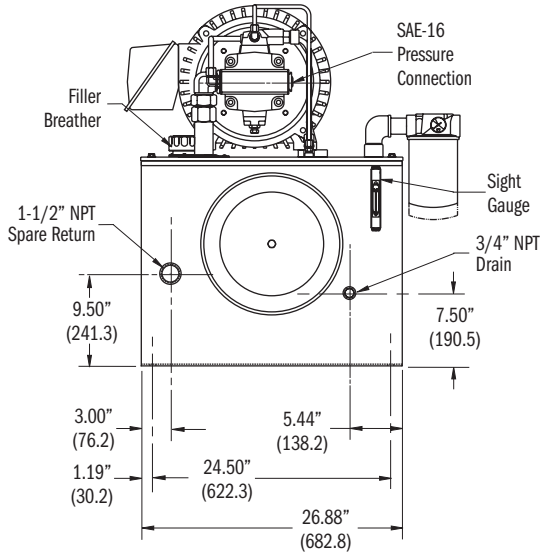
*See Continental Hydraulics Vane or Piston Pump Catalogs for complete codes and specifications.

► **FEATURES:**
70 GALLON PVX11/15 VANE PUMP

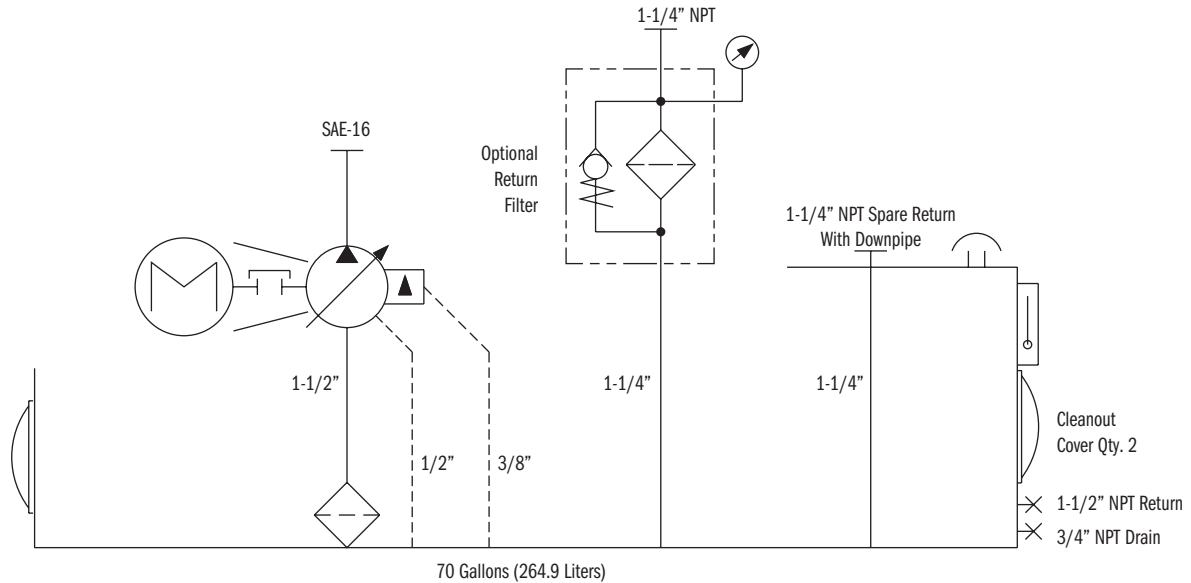
Dimensions:
inches (± .125")
millimeters (± 1 mm)



DIMENSIONS (± .125")			
MOTOR FRAME	A	B	C
182TC	24.50 (622.3)	5.75 (146.0)	35.75 (908.0)
184TC	25.49 (647.4)	5.75 (146.0)	35.75 (908.0)
213TC	28.02 (711.7)	6.50 (165.1)	36.50 (927.1)
215TC	29.51 (749.6)	6.50 (165.1)	36.50 (927.1)
254TC	33.85 (859.8)	7.00 (177.8)	37.00 (939.8)
256TC	33.55 (852.2)	7.00 (177.8)	37.00 (939.8)
284TC	37.35 (948.7)	7.75 (196.8)	37.75 (958.8)
286TC	38.85 (986.8)	7.75 (196.8)	37.75 (958.8)



► **SCHEMATIC & CODES:**
70 GALLON PVX11/15 VANE PUMP

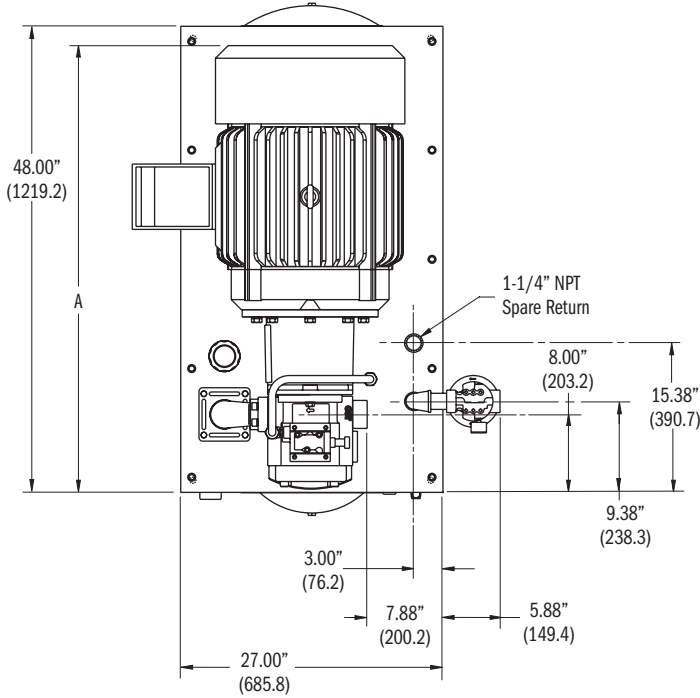


General Specifications	R70
Reservoir Capacity	70 Gal. (254.9 liters)
Surface area For Heat Transfer	21.16 sq. ft. (1.97 cm ²)
Heat Dissipation	Sq. Ft. of Vertical Steel x ΔT / 1000
Basic Weight (Less oil, pump, and motor)	509 lbs. (230.9 kg)
Usable Gallons	18.68 Gal. (70.7 liters)
Gallons Per inch Rise	5.29 Gal. (20.0 liters)
Capacity, Full to Top Plate	75.89 Gal. (287.2 liters)
Capacity, High on Sight Gauge	65.75 Gal. (248.9 liters)
Capacity, Low on Sight Gauge	48.75 Gal. (184.5 liters)
Pump Data*	
Flow Range	Up to 15 gpm (56.8 lpm)
Pressure Range	Up to 3000 psi (207 bar)
Power Range	Up to 30 HP (22.4 kW)

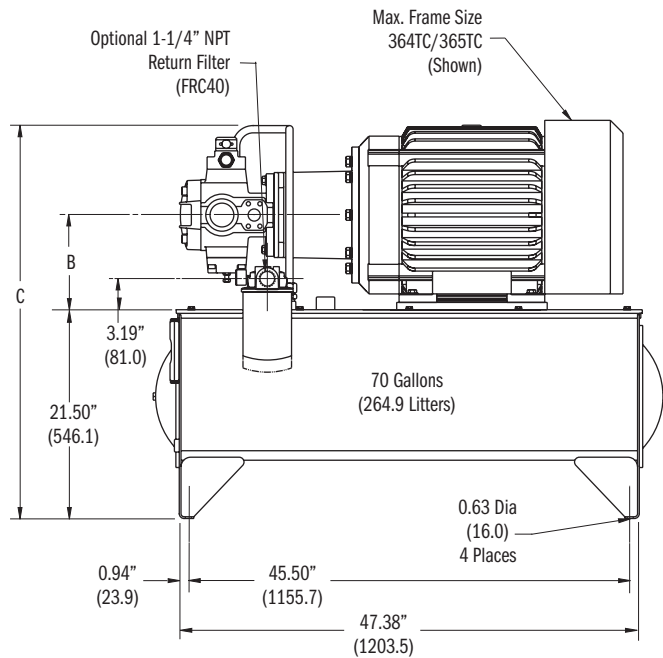
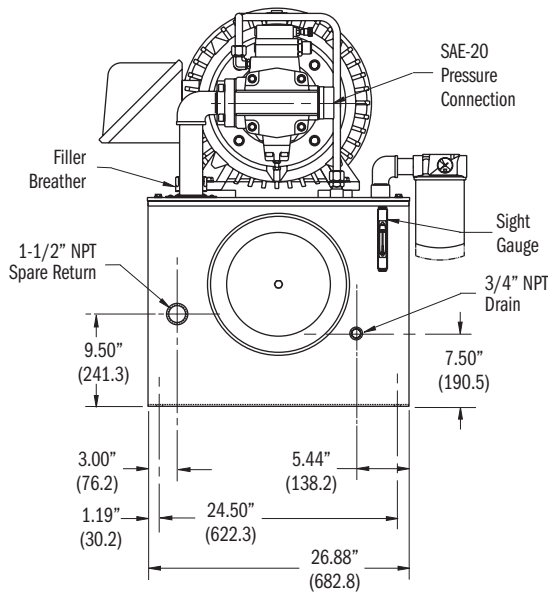
*See Continental Hydraulics Vane or Piston Pump Catalogs for complete codes and specifications.

► **FEATURES:**
70 GALLON PVX20/29/36 VANE PUMP

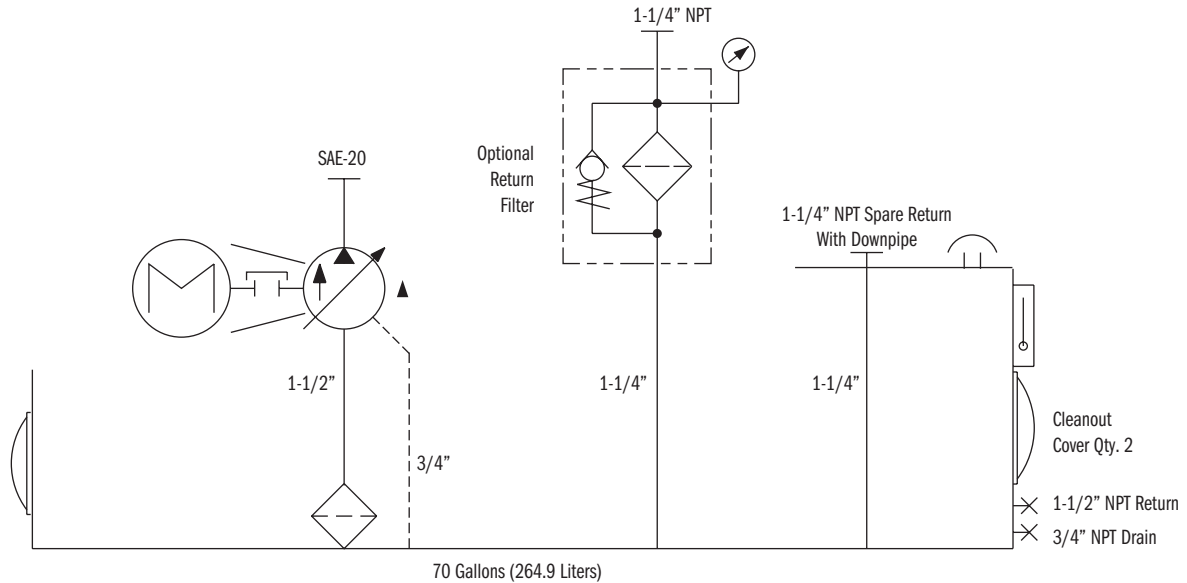
Dimensions:
inches (± .125")
millimeters (± 1 mm)



DIMENSIONS (± .125")			
MOTOR FRAME	A	B	C
213TC	30.49 (774.4)	6.50 (165.1)	36.50 (927.1)
215TC	31.98 (812.3)	6.50 (165.1)	36.50 (927.1)
254TC	36.32 (922.5)	7.00 (177.8)	37.00 (939.8)
256TC	38.02 (965.7)	7.00 (177.8)	37.00 (939.8)
284TC	39.82 (1011.4)	7.75 (196.8)	37.75 (958.8)
286TC	41.32 (1049.5)	7.75 (196.8)	37.75 (958.8)
324TC	42.86 (1088.6)	8.75 (222.2)	40.50 (1028.7)
326TC	42.86 (1088.6)	8.75 (222.2)	40.50 (1028.7)
364TC	46.36 (1177.5)	9.75 (247.6)	41.50 (1054.1)
365TC	46.36 (1177.5)	9.75 (247.6)	41.50 (1054.1)



► **SCHEMATIC & CODES:**
70 GALLON PVX20/29/36 VANE PUMP

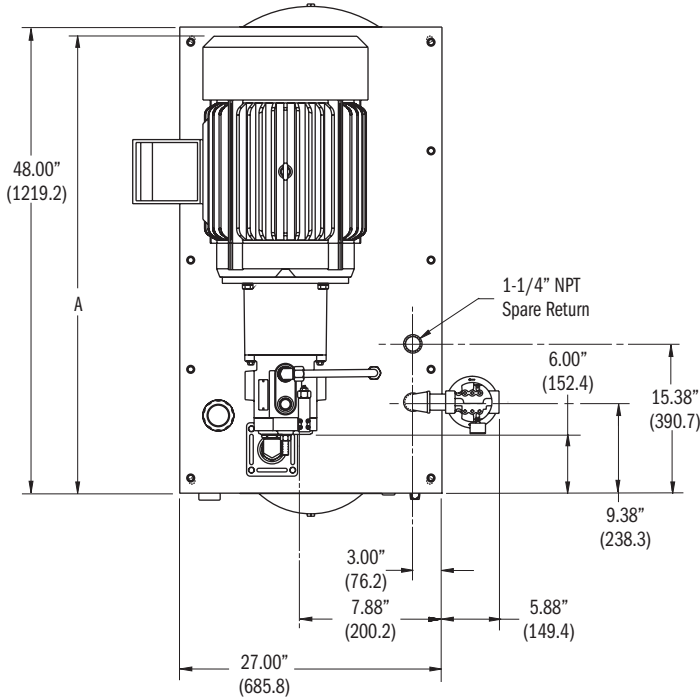


General Specifications	R70
Reservoir Capacity	70 Gal. (254.9 liters)
Surface area For Heat Transfer	21.16 sq. ft. (1.97 cm ²)
Heat Dissipation	Sq. Ft. of Vertical Steel x ΔT / 1000
Basic Weight (Less oil, pump, and motor)	515 lbs. (233.6 kg)
Usable Gallons	17.50 Gal. (66.2 liters)
Gallons Per inch Rise	5.29 Gal. (20.0 liters)
Capacity, Full to Top Plate	75.89 Gal. (287.2 liters)
Capacity, High on Sight Gauge	65.75 Gal. (248.9 liters)
Capacity, Low on Sight Gauge	48.75 Gal. (184.5 liters)
Pump Data*	
Flow Range	Up to 36 gpm (136.3 lpm)
Pressure Range	Up to 3000 psi (207 bar)
Power Range	Up to 75 HP (55.9 kW)

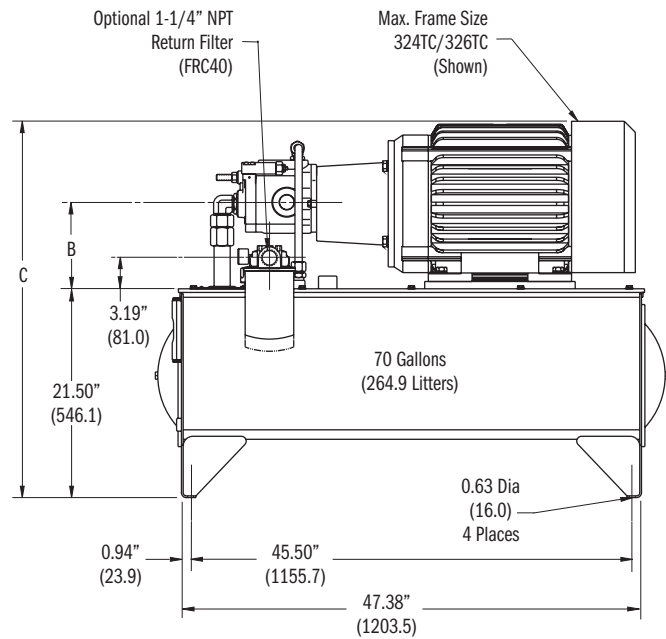
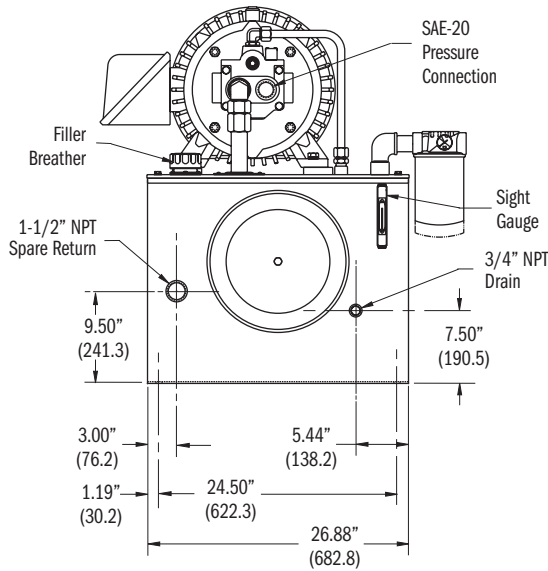
*See Continental Hydraulics Vane or Piston Pump Catalogs for complete codes and specifications.

► **FEATURES:**
70 GALLON HPVR20 PISTON PUMP

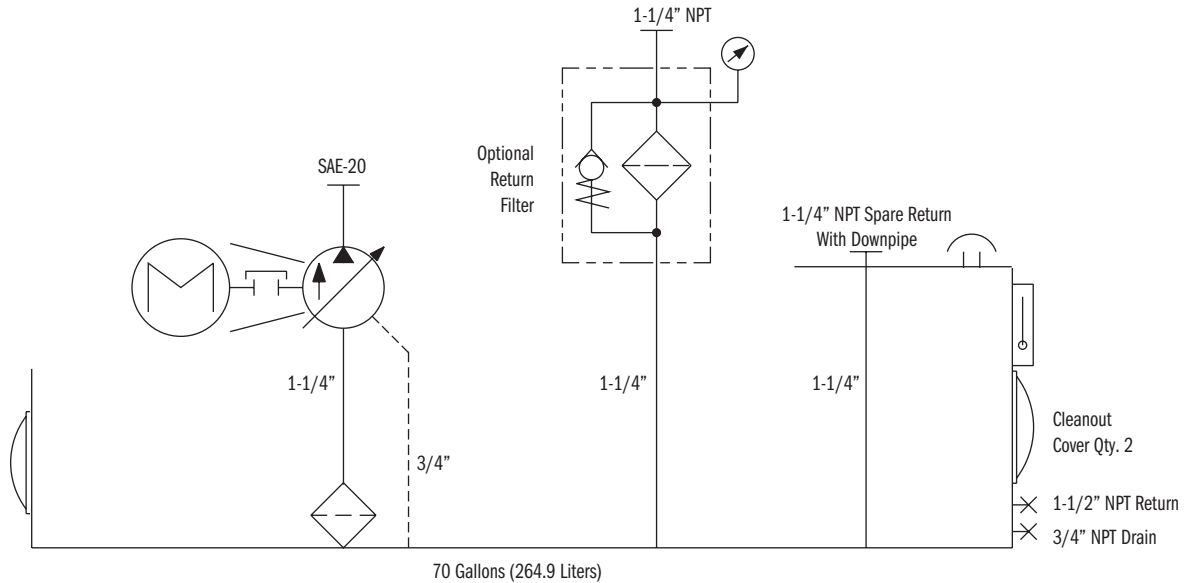
Dimensions:
inches (± .125")
millimeters (± 1 mm)



DIMENSIONS (± .125")			
MOTOR FRAME	A	B	C
254TC	41.09 (1043.7)	7.00 (177.8)	35.13 (892.3)
256TC	42.79 (1086.9)	7.00 (177.8)	35.13 (892.3)
284TC	44.59 (1132.6)	7.75 (196.8)	36.63 (930.4)
286TC	46.09 (1170.7)	7.75 (196.8)	36.63 (930.4)
324TC	47.63 (1209.8)	8.75 (222.2)	38.60 (980.4)
326TC	47.63 (1209.8)	8.75 (222.2)	38.60 (980.4)



► **SCHEMATIC & CODES:**
70 GALLON HPVR20 PISTON PUMP

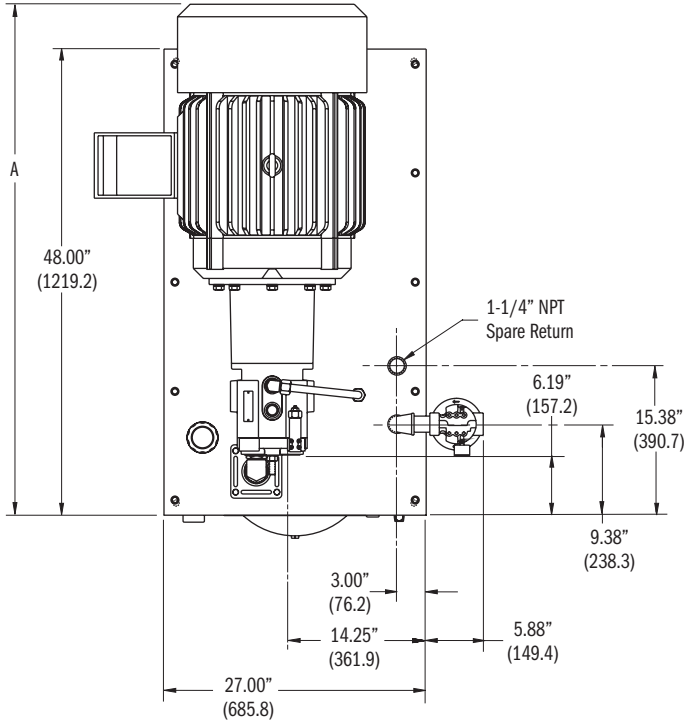


General Specifications	R70
Reservoir Capacity	70 Gal. (254.9 liters)
Surface area For Heat Transfer	21.16 sq. ft. (1.97 cm ²)
Heat Dissipation	Sq. Ft. of Vertical Steel x ΔT / 1000
Basic Weight (Less oil, pump, and motor)	515 lbs. (233.6 kg)
Usable Gallons	17.50 Gal. (66.2 liters)
Gallons Per inch Rise	5.29 Gal. (20.0 liters)
Capacity, Full to Top Plate	75.89 Gal. (287.2 liters)
Capacity, High on Sight Gauge	65.75 Gal. (248.9 liters)
Capacity, Low on Sight Gauge	48.75 Gal. (184.5 liters)
Pump Data*	
Flow Range	Up to 20 gpm (75.7 lpm)
Pressure Range	Up to 3500 psi (241 bar)
Power Range	Up to 50 HP (37.3 kW)

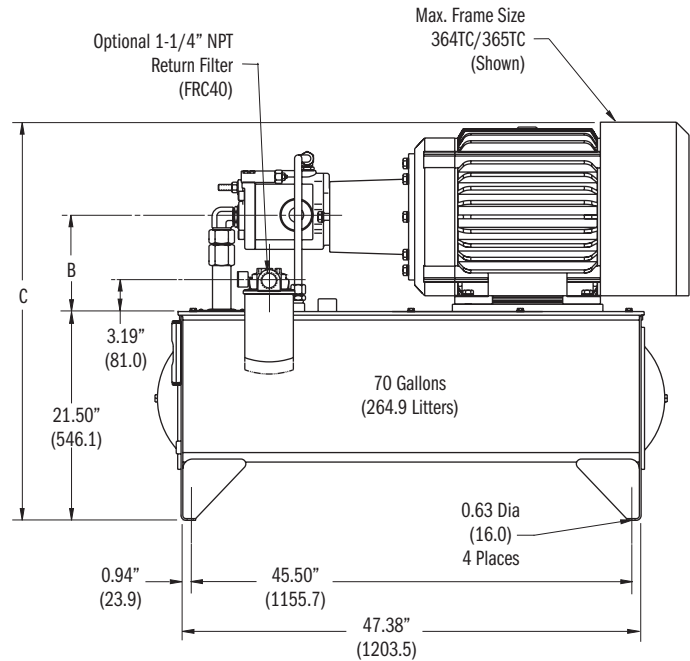
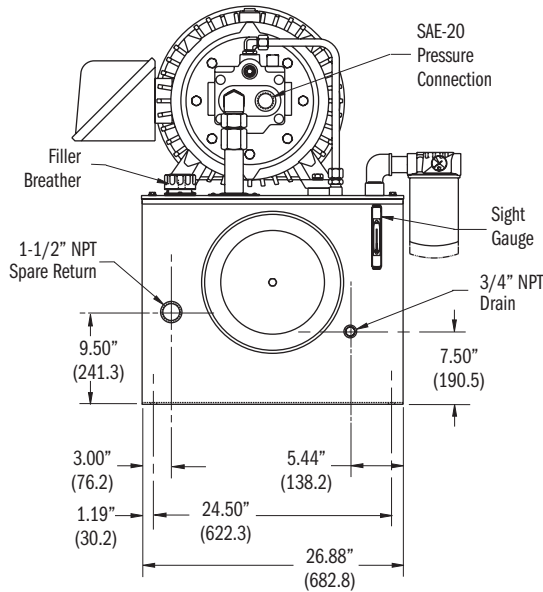
*See Continental Hydraulics Vane or Piston Pump Catalogs for complete codes and specifications.

► **FEATURES:**
70 GALLON HPVR29 PISTON PUMP

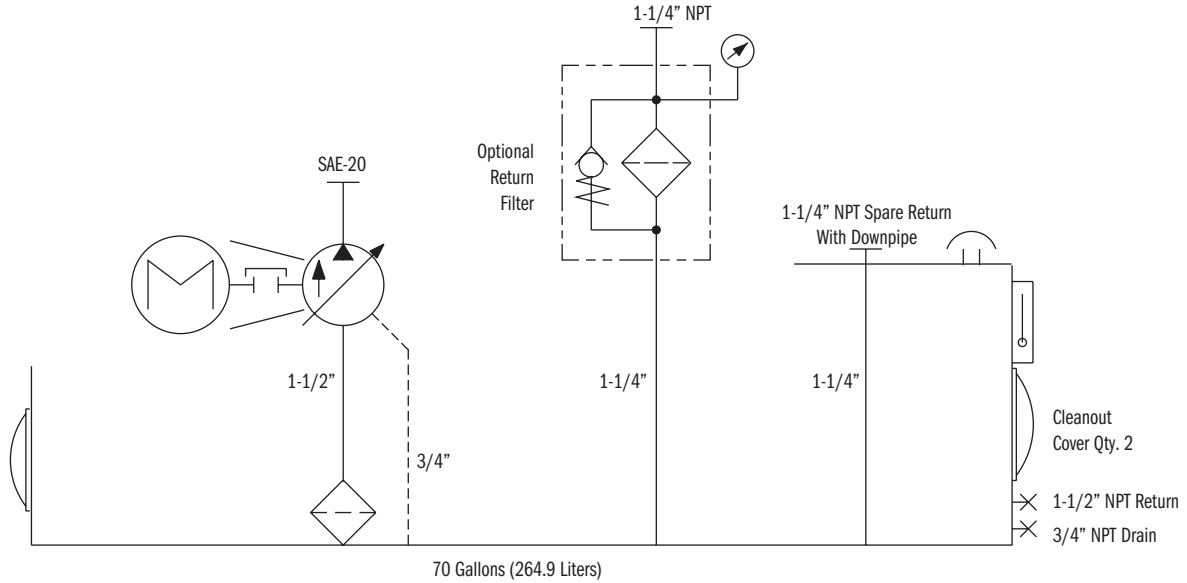
Dimensions:
inches (± .125")
millimeters (± 1 mm)



DIMENSIONS (± .125")			
MOTOR FRAME	A	B	C
254TC	41.91 (1064.5)	7.00 (177.8)	35.13 (892.3)
256TC	43.61 (1107.7)	7.00 (177.8)	35.13 (892.3)
284TC	44.41 (1153.4)	7.75 (196.8)	36.63 (930.4)
286TC	46.91 (1191.6)	7.75 (196.8)	36.63 (930.4)
324TC	48.45 (1230.6)	8.75 (222.2)	38.60 (980.4)
326TC	48.45 (1230.6)	8.75 (222.2)	38.60 (980.4)
364TC	52.57 (1335.3)	9.75 (247.6)	40.50 (1028.7)
356TC	52.57 (1335.3)	9.75 (247.6)	40.50 (1028.7)



► **SCHEMATIC & CODES:**
70 GALLON HPVR29 PISTON PUMP

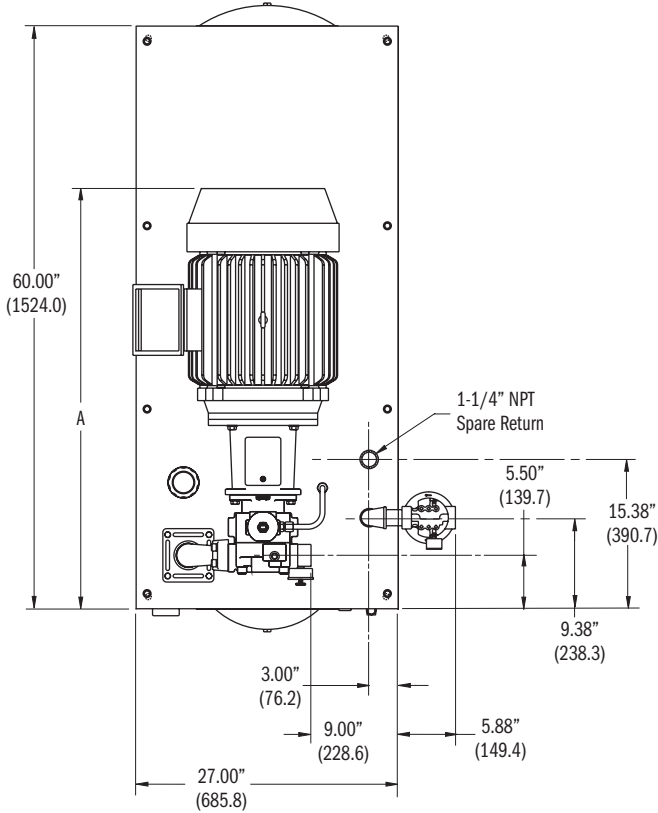


General Specifications	R70
Reservoir Capacity	70 Gal. (254.9 liters)
Surface area For Heat Transfer	21.16 sq. ft. (1.97 cm ²)
Heat Dissipation	Sq. Ft. of Vertical Steel x ΔT / 1000
Basic Weight (Less oil, pump, and motor)	515 lbs. (233.6 kg)
Usable Gallons	17.50 Gal. (66.2 liters)
Gallons Per inch Rise	5.29 Gal. (20.0 liters)
Capacity, Full to Top Plate	75.89 Gal. (287.2 liters)
Capacity, High on Sight Gauge	65.75 Gal. (248.9 liters)
Capacity, Low on Sight Gauge	48.75 Gal. (184.5 liters)
Pump Data*	
Flow Range	Up to 29 gpm (109.8 lpm)
Pressure Range	Up to 3000 psi (207 bar)
Power Range	Up to 75 HP (55.9 kW)

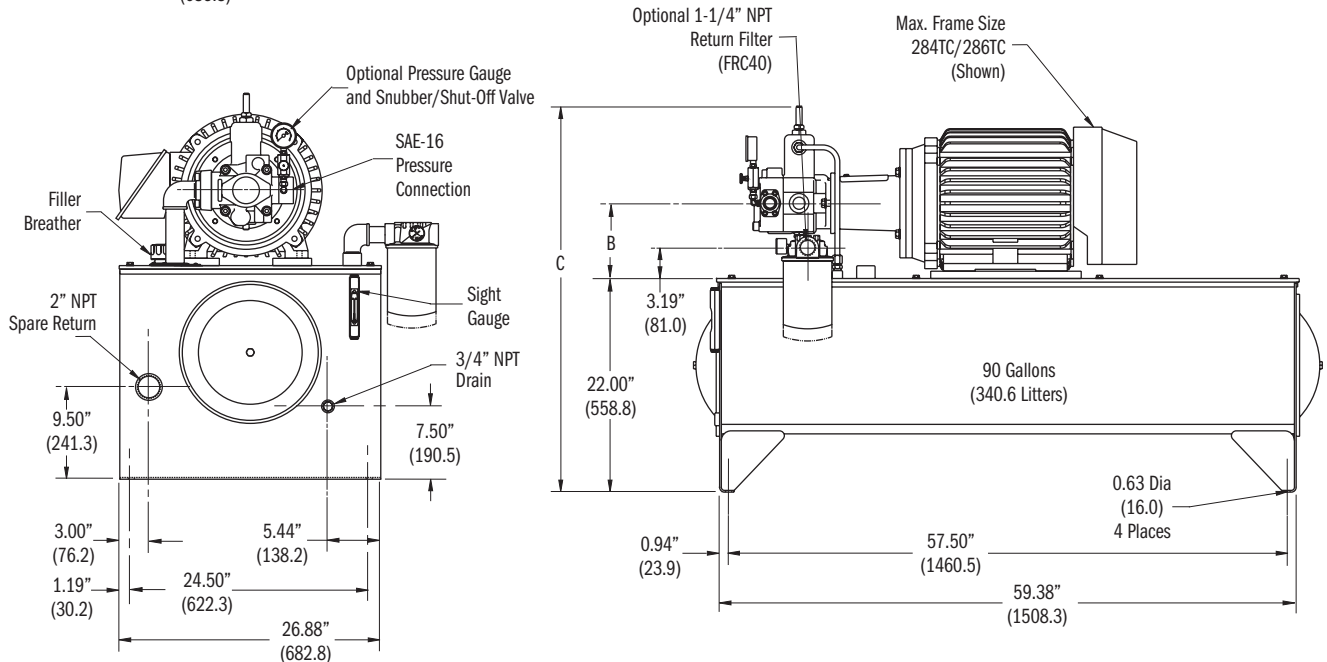
*See Continental Hydraulics Vane or Piston Pump Catalogs for complete codes and specifications.

► **FEATURES:**
90 GALLON PVR15 VANE PUMP

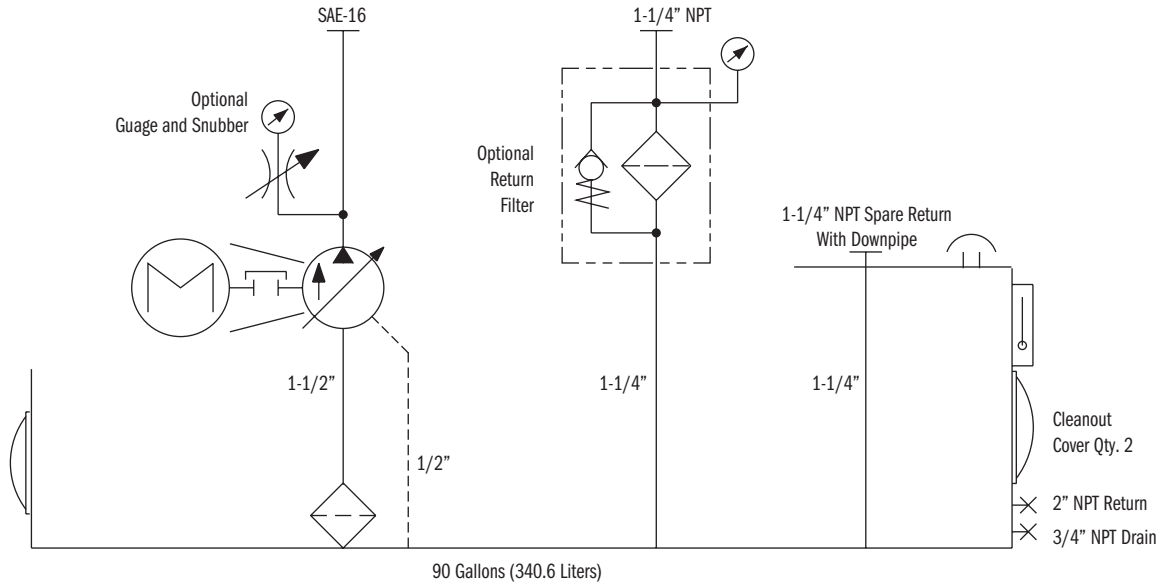
Dimensions:
inches (± .125")
millimeters (± 1 mm)



DIMENSIONS (± .125")			
MOTOR FRAME	A	B	C
182TC	29.18 (741.2)	5.75 (146.0)	37.75 (958.8)
184TC	30.17 (766.3)	5.75 (146.0)	37.75 (958.8)
213TC	32.20 (817.9)	6.50 (165.1)	38.50 (977.9)
215TC	33.69 (855.7)	6.50 (165.1)	38.50 (977.9)
254TC	38.03 (966.0)	7.00 (177.8)	39.00 (990.6)
256TC	39.73 (1009.1)	7.00 (177.8)	39.00 (990.6)
284TC	41.53 (1054.9)	7.75 (196.8)	39.75 (1009.6)
286TC	43.03 (1093.0)	7.75 (196.8)	39.75 (1009.6)



► **SCHEMATIC & CODES:**
90 GALLON PVR15 VANE PUMP

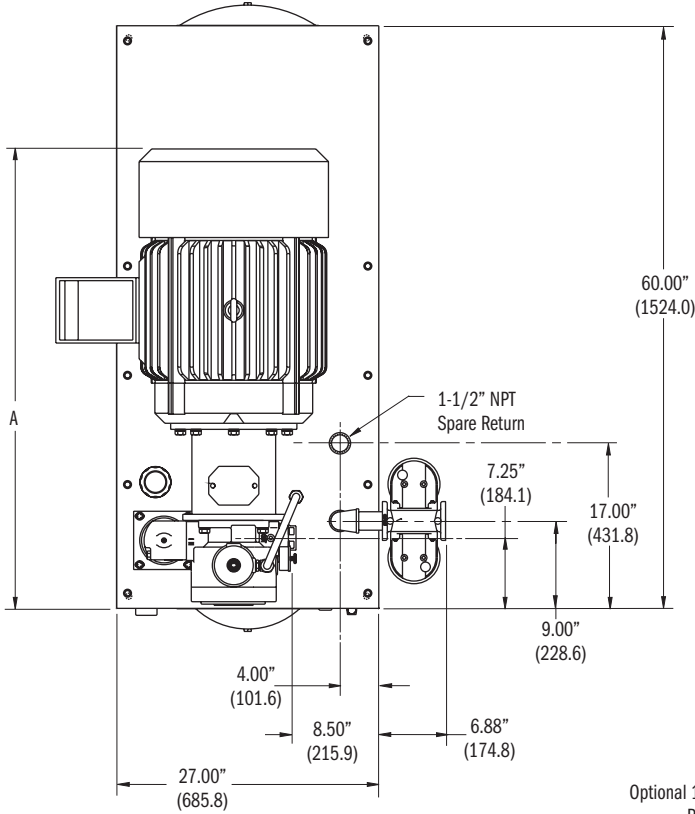


General Specifications	R90
Reservoir Capacity	90 Gal. (340.6 liters)
Surface area For Heat Transfer	26.00 sq. ft. (2.42 cm ²)
Heat Dissipation	Sq. Ft. of Vertical Steel x ΔT / 1000
Basic Weight (Less oil, pump, and motor)	590 lbs. (267.6 kg)
Usable Gallons	29.14 Gal. (110.3 liters)
Gallons Per inch Rise	6.64 Gal. (25.1 liters)
Capacity, Full to Top Plate	99.00 Gal. (374.7 liters)
Capacity, High on Sight Gauge	86.43 Gal. (327.1 liters)
Capacity, Low on Sight Gauge	65.13 Gal. (246.5 liters)
Pump Data*	
Flow Range	Up to 30 gpm (113.5 lpm)
Pressure Range	Up to 2000 psi (138 bar)
Power Range	Up to 30 HP (22.4 kW)

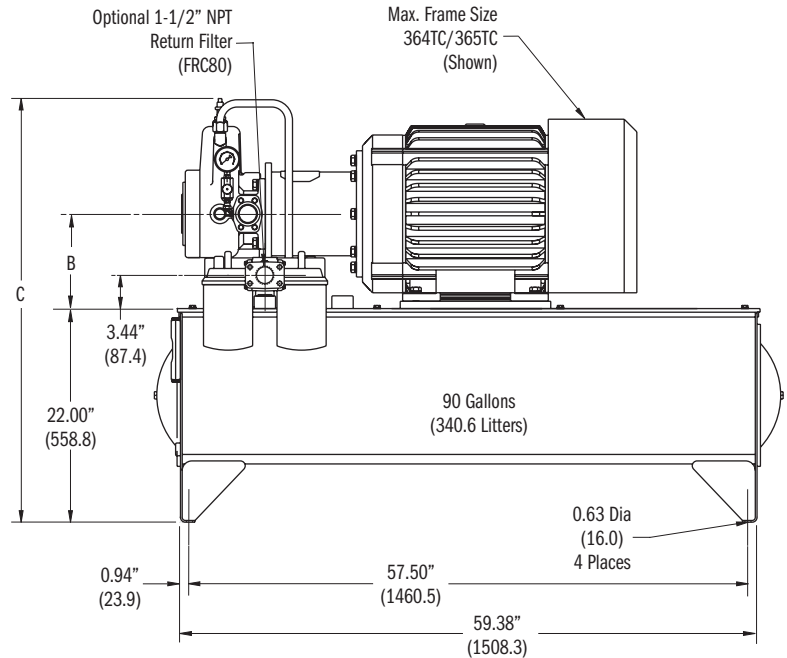
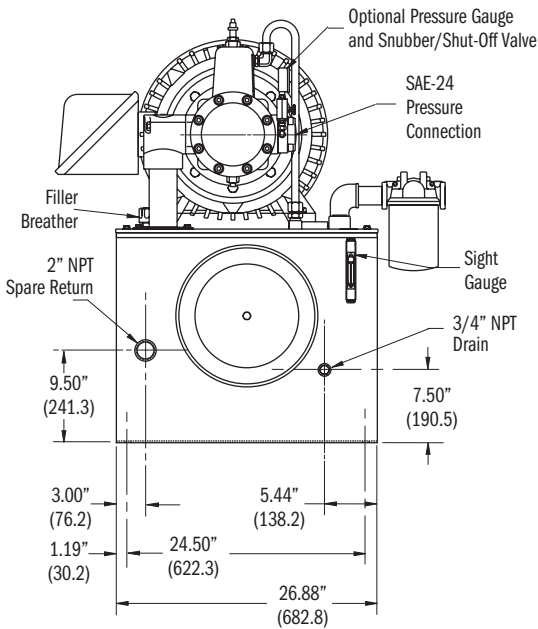
*See Continental Hydraulics Vane or Piston Pump Catalogs for complete codes and specifications.

► **FEATURES:**
90 GALLON PVR50 VANE PUMP

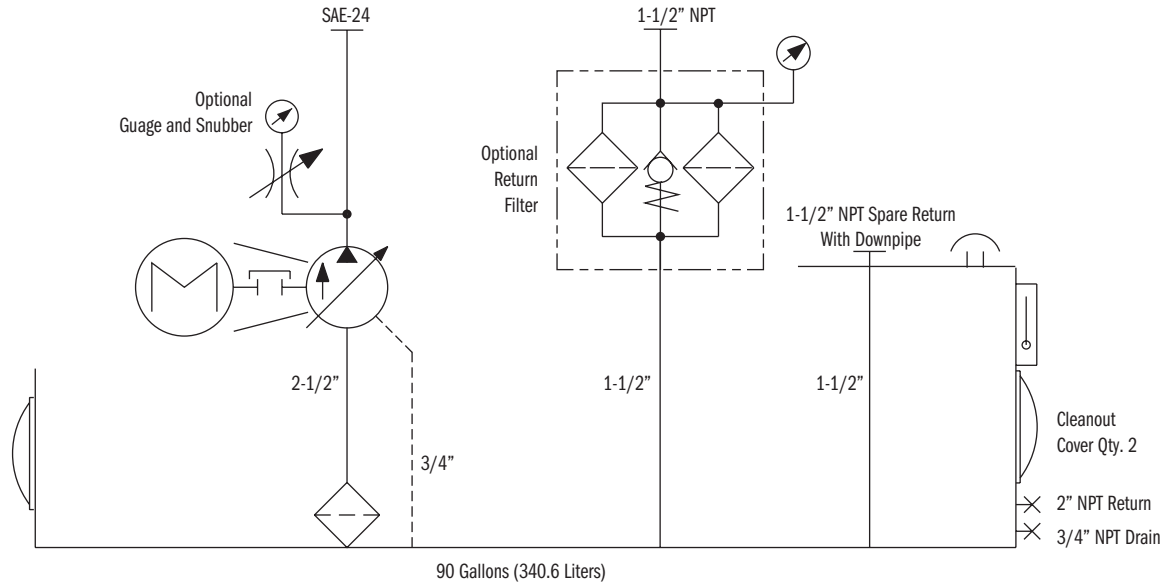
Dimensions:
inches (± .125")
millimeters (± 1 mm)



DIMENSIONS (± .125")			
MOTOR FRAME	A	B	C
254TC	36.21 (919.7)	7.00 (177.8)	40.91 (1039.1)
256TC	37.91 (962.9)	7.00 (177.8)	40.91 (1039.1)
284TC	39.84 (1011.9)	7.75 (196.8)	41.66 (1058.2)
286TC	41.34 (1050.0)	7.75 (196.8)	41.66 (1058.2)
324TC	43.25 (1098.5)	8.75 (222.2)	42.56 (1083.6)
326TC	43.25 (1098.5)	8.75 (222.2)	42.56 (1083.6)
364TC	46.88 (1190.8)	9.75 (247.6)	43.66 (1109.0)
365TC	46.88 (1190.8)	9.75 (247.6)	43.66 (1109.0)



► **SCHEMATIC & CODES:**
90 GALLON PVR50 VANE PUMP

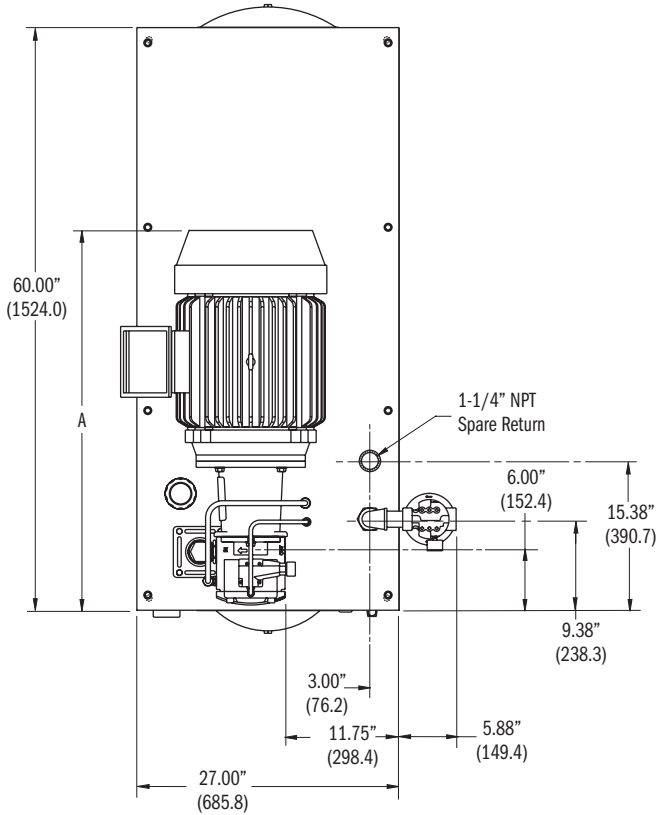


General Specifications	R90
Reservoir Capacity	90 Gal. (340.6 liters)
Surface area For Heat Transfer	26.00 sq. ft. (2.42 cm ²)
Heat Dissipation	Sq. Ft. of Vertical Steel x ΔT / 1000
Basic Weight (Less oil, pump, and motor)	650 lbs. (294.8 kg)
Usable Gallons	17.50 Gal. (66.2 liters)
Gallons Per inch Rise	6.64 Gal. (25.1 liters)
Capacity, Full to Top Plate	99.00 Gal. (374.7 liters)
Capacity, High on Sight Gauge	86.43 Gal. (327.1 liters)
Capacity, Low on Sight Gauge	65.13 Gal. (246.5 liters)
Pump Data*	
Flow Range	Up to 70 gpm (264.9 lpm)
Pressure Range	Up to 2000 psi (138 bar)
Power Range	Up to 75 HP (55.9 kW)

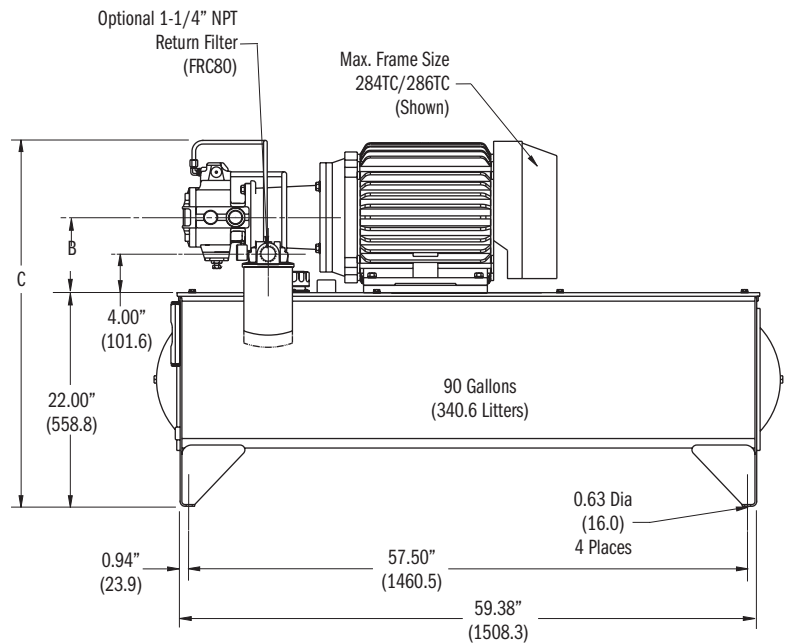
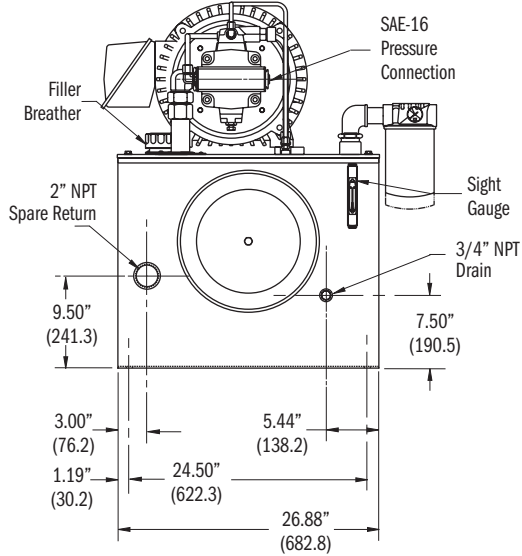
*See Continental Hydraulics Vane or Piston Pump Catalogs for complete codes and specifications.

► **FEATURES:**
90 GALLON PVX11/15 VANE PUMP

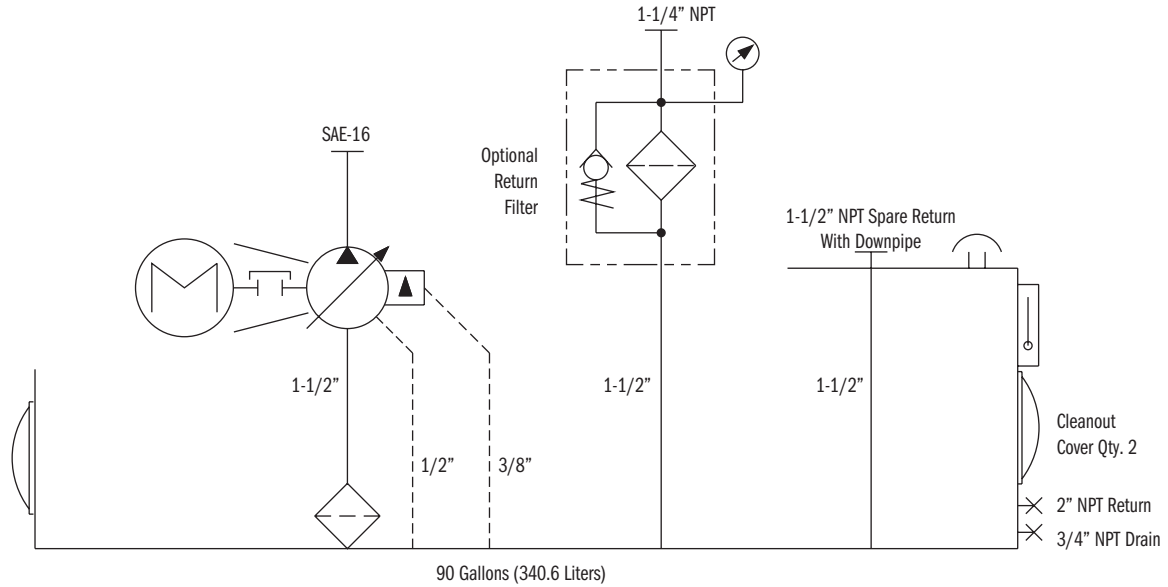
Dimensions:
inches (± .125")
millimeters (± 1 mm)



DIMENSIONS (± .125")			
MOTOR FRAME	A	B	C
182TC	24.50 (622.3)	5.75 (146.0)	36.25 (920.7)
184TC	25.50 (647.7)	5.75 (146.0)	36.25 (920.7)
213TC	28.02 (711.7)	6.50 (165.1)	37.00 (939.8)
215TC	29.50 (749.3)	6.50 (165.1)	37.00 (939.8)
254TC	33.85 (859.8)	7.00 (177.8)	37.50 (952.5)
256TC	33.55 (852.2)	7.00 (177.8)	37.50 (952.5)
284TC	37.35 (948.7)	7.75 (196.8)	38.25 (971.5)
286TC	38.85 (986.8)	7.75 (196.8)	38.25 (971.5)



► **SCHEMATIC & CODES:**
90 GALLON PVX11/15 VANE PUMP

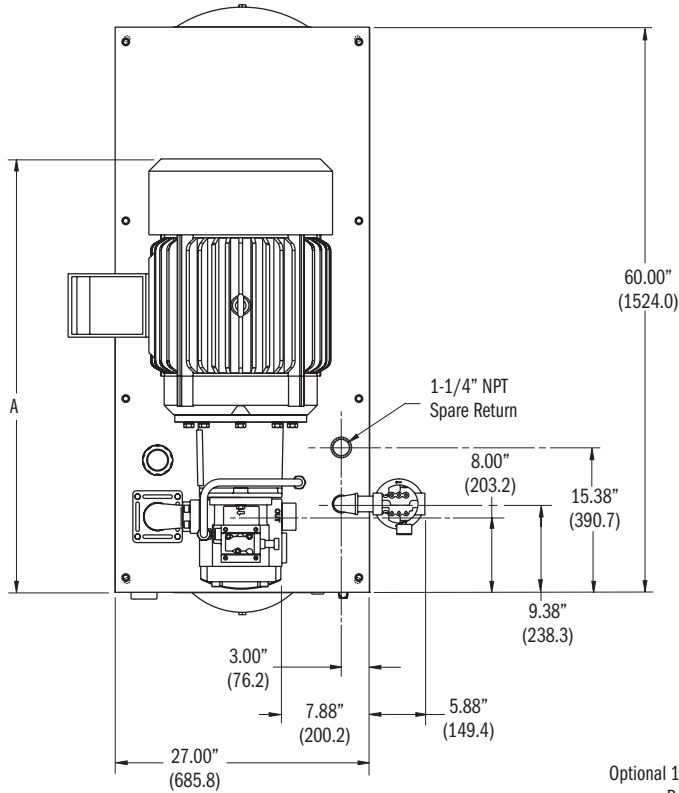


General Specifications	R90
Reservoir Capacity	90 Gal. (340.6 liters)
Surface area For Heat Transfer	26.00 sq. ft. (2.42 cm ²)
Heat Dissipation	Sq. Ft. of Vertical Steel x ΔT / 1000
Basic Weight (Less oil, pump, and motor)	589 lbs. (267.2 kg)
Usable Gallons	29.14 Gal. (110.3 liters)
Gallons Per inch Rise	6.64 Gal. (25.1 liters)
Capacity, Full to Top Plate	99.00 Gal. (374.7 liters)
Capacity, High on Sight Gauge	86.43 Gal. (327.1 liters)
Capacity, Low on Sight Gauge	65.13 Gal. (246.5 liters)
Pump Data*	
Flow Range	Up to 15 gpm (56.8 lpm)
Pressure Range	Up to 3000 psi (207 bar)
Power Range	Up to 30 HP (22.4 kW)

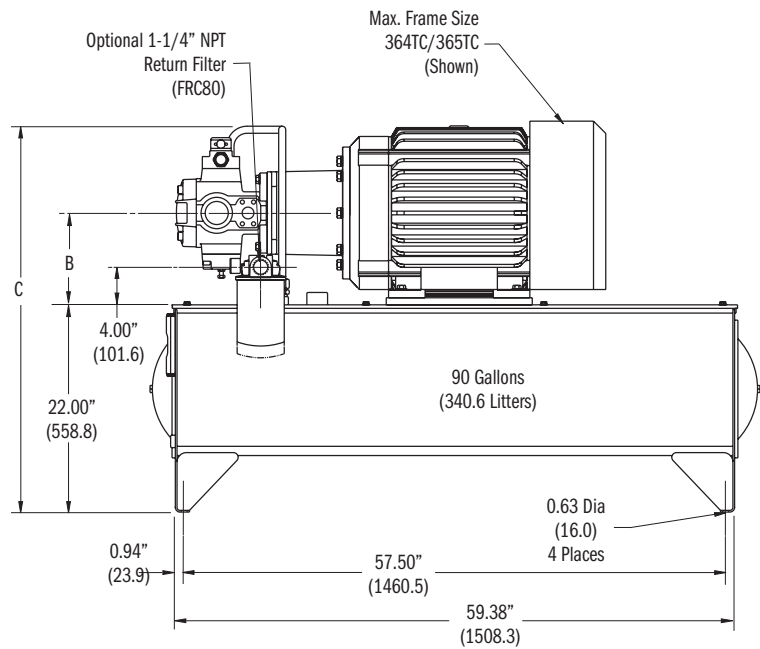
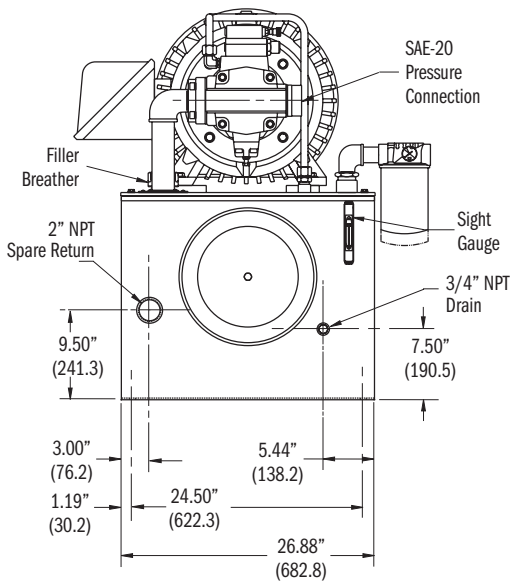
*See Continental Hydraulics Vane or Piston Pump Catalogs for complete codes and specifications.

► **FEATURES:**
90 GALLON PVX20/29/36 VANE PUMP

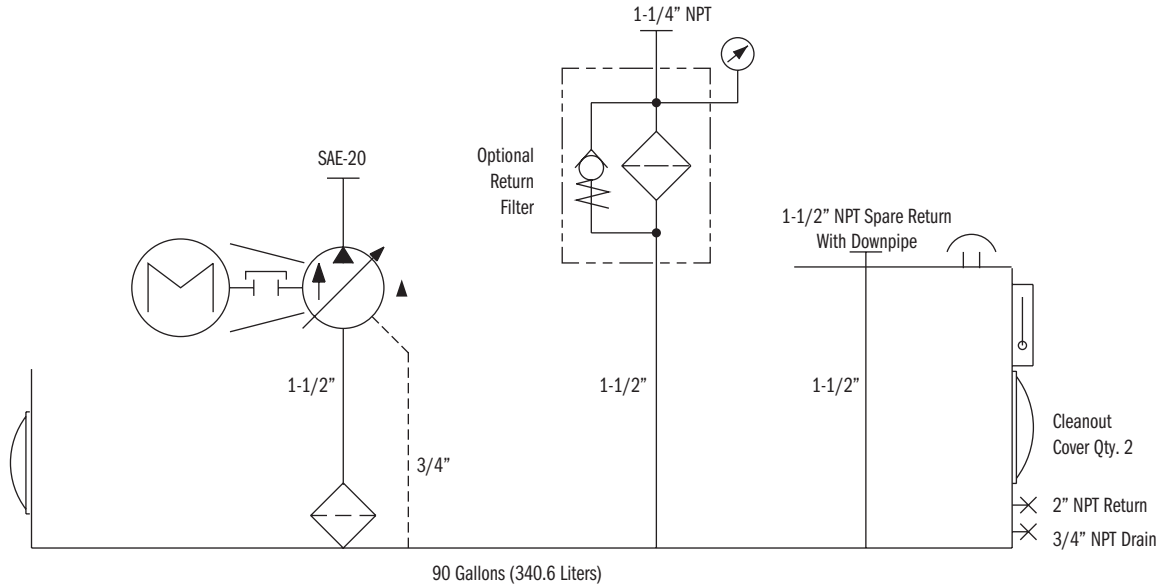
Dimensions:
inches (± .125")
millimeters (± 1 mm)



DIMENSIONS (± .125")			
MOTOR FRAME	A	B	C
213TC	30.50 (774.7)	6.50 (165.1)	38.75 (984.2)
215TC	32.00 (812.8)	6.50 (165.1)	38.75 (984.2)
254TC	36.32 (922.5)	7.00 (177.8)	39.25 (996.9)
256TC	38.00 (965.2)	7.00 (177.8)	39.25 (996.9)
284TC	39.82 (1011.4)	7.75 (196.8)	40.00 (1016.0)
286TC	41.32 (1049.5)	7.75 (196.8)	40.00 (1016.0)
324TC	42.86 (1088.6)	8.75 (222.2)	41.00 (1041.4)
326TC	42.86 (1088.6)	8.75 (222.2)	41.00 (1041.4)
365TC	46.36 (1177.5)	9.75 (247.6)	42.00 (1066.8)
365TC	46.36 (1177.5)	9.75 (247.6)	42.00 (1066.8)



► **SCHEMATIC & CODES:**
90 GALLON PVX20/29/36 VANE PUMP

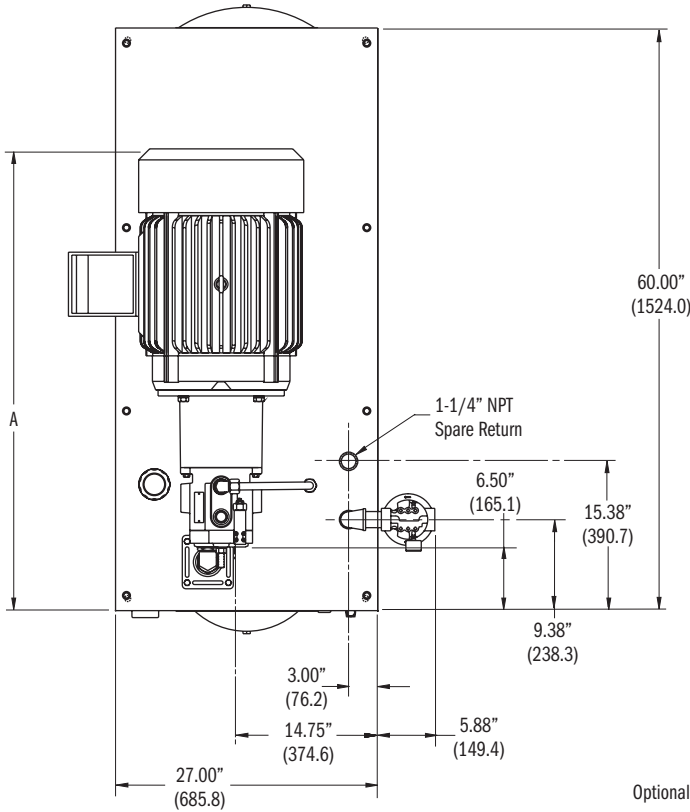


General Specifications	R90
Reservoir Capacity	90 Gal. (340.6 liters)
Surface area For Heat Transfer	26.00 sq. ft. (2.42 cm ²)
Heat Dissipation	Sq. Ft. of Vertical Steel x ΔT / 1000
Basic Weight (Less oil, pump, and motor)	594 lbs. (269.4 kg)
Usable Gallons	25.75 Gal. (97.5 liters)
Gallons Per inch Rise	6.64 Gal. (25.1 liters)
Capacity, Full to Top Plate	99.00 Gal. (374.7 liters)
Capacity, High on Sight Gauge	86.43 Gal. (327.1 liters)
Capacity, Low on Sight Gauge	65.13 Gal. (246.5 liters)
Pump Data*	
Flow Range	Up to 36 gpm (136.3 lpm)
Pressure Range	Up to 3000 psi (207 bar)
Power Range	Up to 75 HP (55.9 kW)

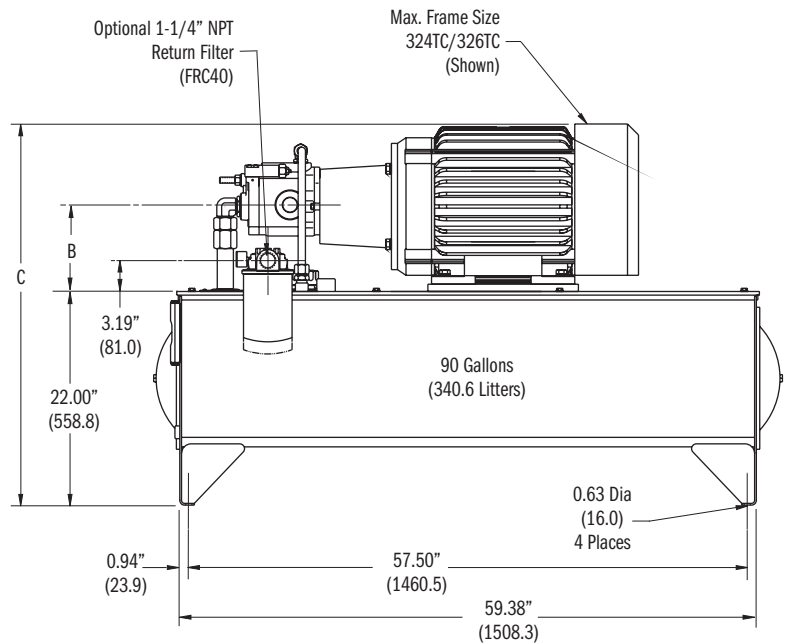
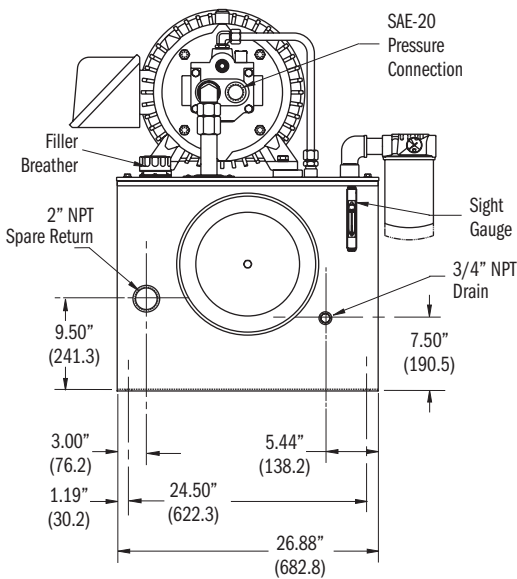
*See Continental Hydraulics Vane or Piston Pump Catalogs for complete codes and specifications.

► **FEATURES:**
90 GALLON HPVR20 PISTON PUMP

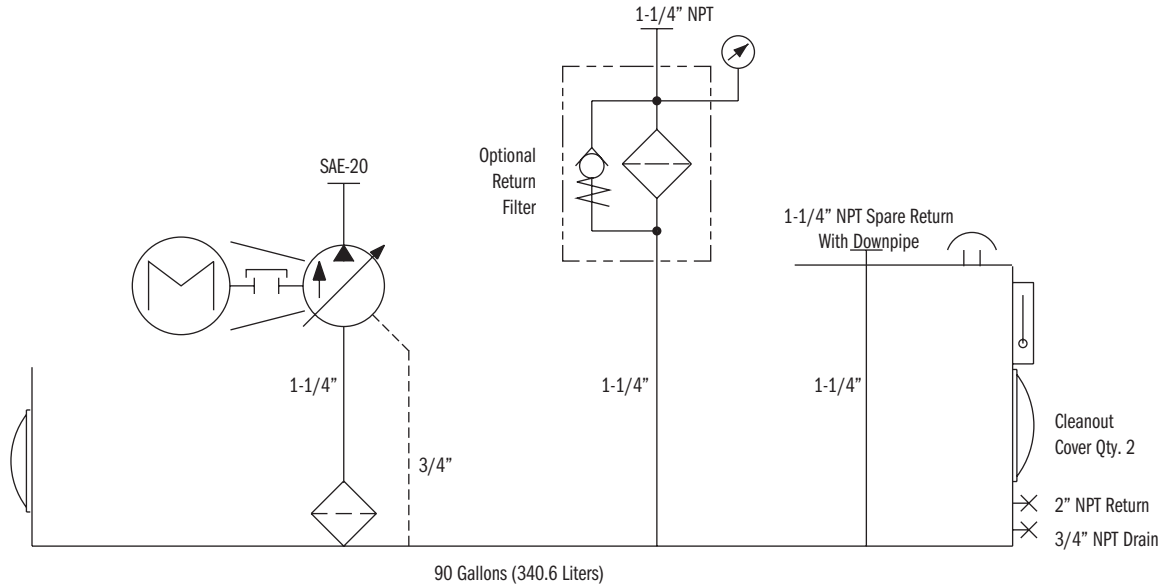
Dimensions:
inches (± .125")
millimeters (± 1 mm)



DIMENSIONS (± .125")			
MOTOR FRAME	A	B	C
254TC	41.59 (1056.4)	7.00 (177.8)	35.63 (905.0)
256TC	43.29 (1099.6)	7.00 (177.8)	35.63 (905.0)
284TC	45.09 (1145.3)	7.75 (196.8)	37.13 (943.1)
286TC	46.59 (1183.4)	7.75 (196.8)	37.13 (943.1)
324TC	48.13 (1222.5)	8.75 (222.2)	39.10 (993.1)
326TC	48.13 (1222.5)	8.75 (222.2)	39.10 (993.1)



► **SCHEMATIC & CODES:**
90 GALLON HPVR20 PISTON PUMP

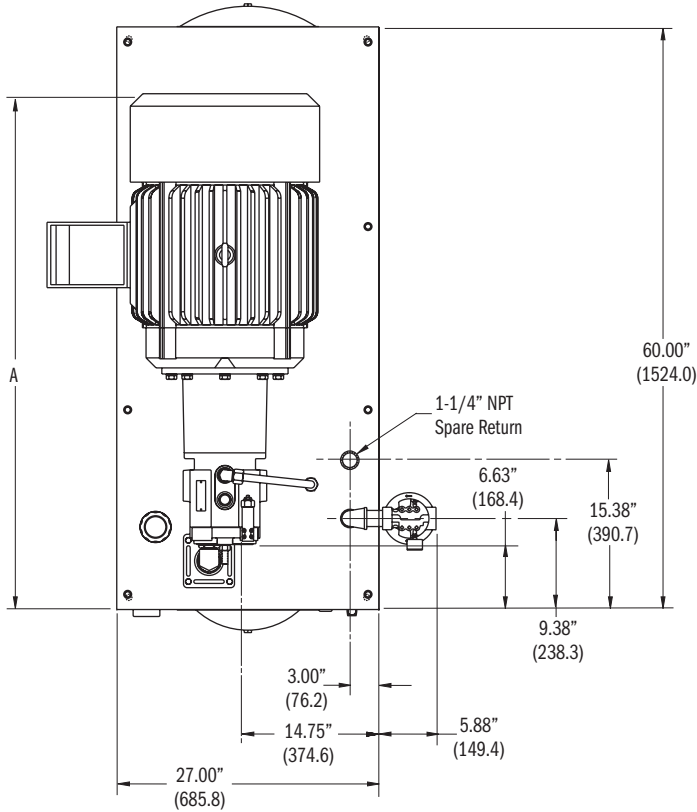


General Specifications	R90
Reservoir Capacity	90 Gal. (340.6 liters)
Surface area For Heat Transfer	26.00 sq. ft. (2.42 cm ²)
Heat Dissipation	Sq. Ft. of Vertical Steel x ΔT / 1000
Basic Weight (Less oil, pump, and motor)	596 lbs. (270.3 kg)
Usable Gallons	25.75 Gal. (97.5 liters)
Gallons Per inch Rise	6.64 Gal. (25.1 liters)
Capacity, Full to Top Plate	99.00 Gal. (374.7 liters)
Capacity, High on Sight Gauge	86.43 Gal. (327.1 liters)
Capacity, Low on Sight Gauge	65.13 Gal. (246.5 liters)
Pump Data*	
Flow Range	Up to 20 gpm (75.7 lpm)
Pressure Range	Up to 3500 psi (241 bar)
Power Range	Up to 50 HP (37.3 kW)

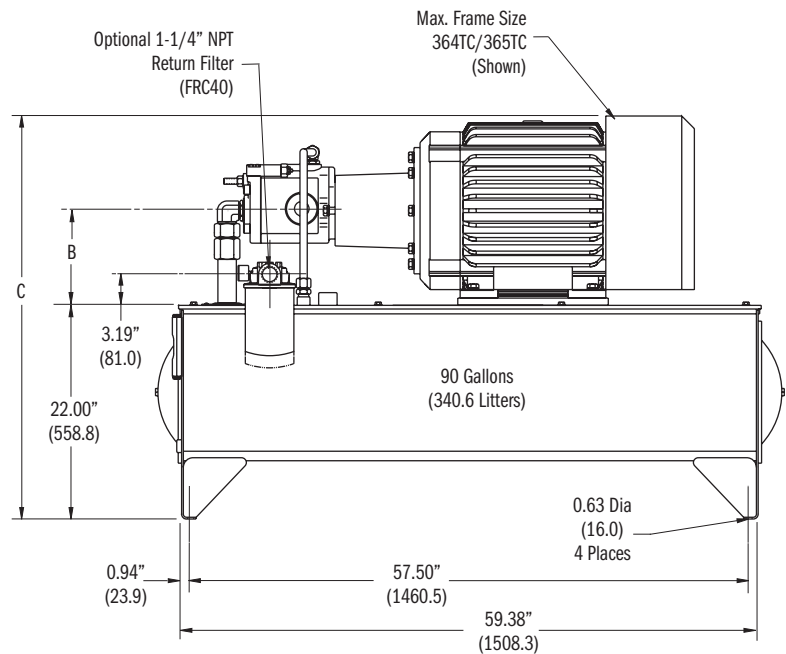
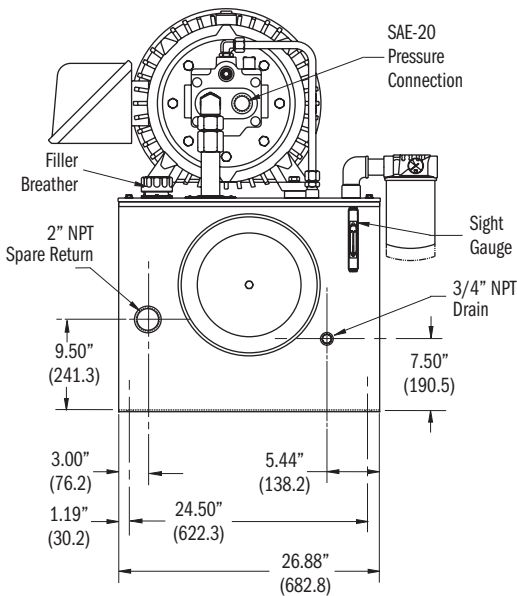
*See Continental Hydraulics Vane or Piston Pump Catalogs for complete codes and specifications.

► **FEATURES:**
90 GALLON HPVR29 PISTON PUMP

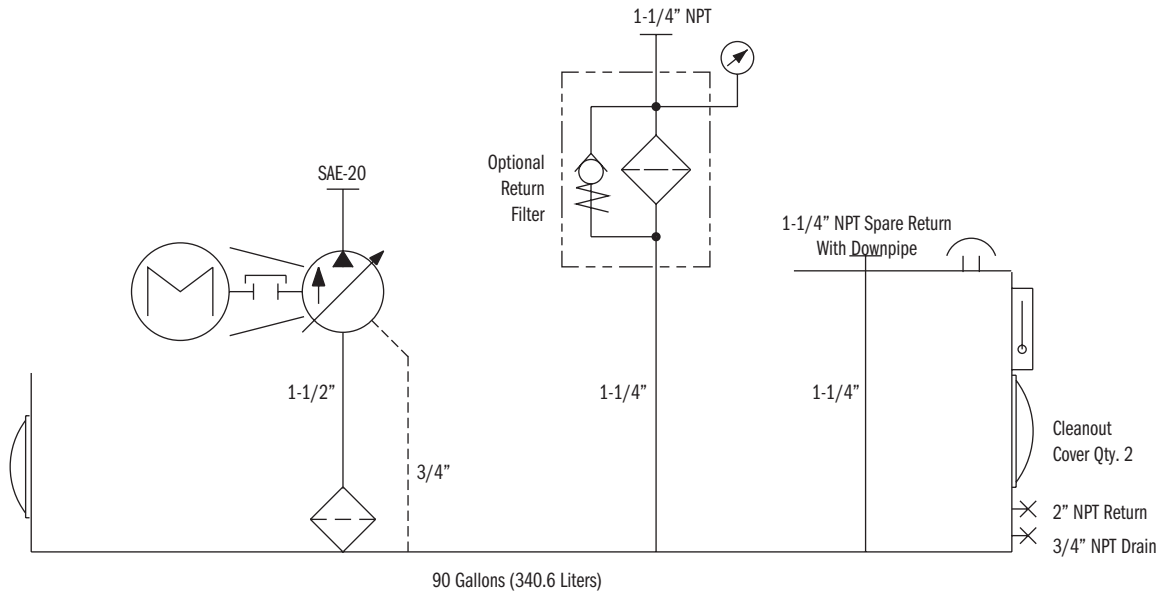
Dimensions:
inches (± .125")
millimeters (± 1 mm)



DIMENSIONS (± .125")			
MOTOR FRAME	A	B	C
254TC	42.35 (1075.7)	7.00 (177.8)	35.63 (905.0)
256TC	44.05 (1144.3)	7.00 (177.8)	35.63 (905.0)
284TC	45.85 (1164.6)	7.75 (196.8)	37.13 (943.1)
286TC	47.35 (1202.7)	7.75 (196.8)	37.13 (943.1)
324TC	48.89 (1241.8)	8.75 (222.2)	39.10 (993.1)
326TC	48.89 (1241.8)	8.75 (222.2)	39.10 (993.1)
364TC	53.01 (1346.5)	9.75 (247.6)	41.00 (1041.4)
365TC	53.01 (1346.5)	9.75 (247.6)	41.00 (1041.4)



► **SCHEMATIC & CODES:**
90 GALLON HPVR29 PISTON PUMP

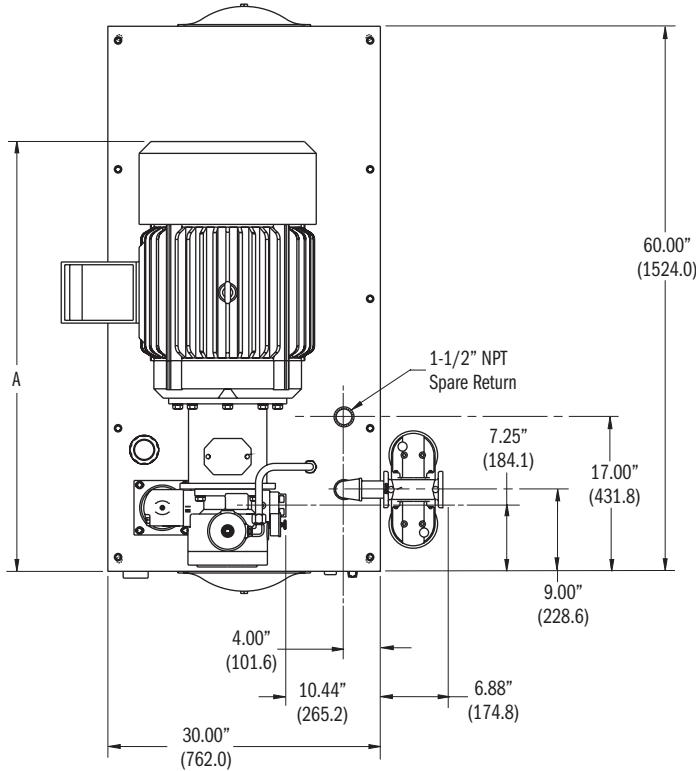


General Specifications	R90
Reservoir Capacity	90 Gal. (340.6 liters)
Surface area For Heat Transfer	26.00 sq. ft. (2.42 cm ²)
Heat Dissipation	Sq. Ft. of Vertical Steel x ΔT / 1000
Basic Weight (Less oil, pump, and motor)	596 lbs. (270.3 kg)
Usable Gallons	25.75 Gal. (97.5 liters)
Gallons Per inch Rise	6.64 Gal. (25.1 liters)
Capacity, Full to Top Plate	99.00 Gal. (374.7 liters)
Capacity, High on Sight Gauge	86.43 Gal. (327.1 liters)
Capacity, Low on Sight Gauge	65.13 Gal. (246.5 liters)
Pump Data*	
Flow Range	Up to 29 gpm (109.8 lpm)
Pressure Range	Up to 3000 psi (207 bar)
Power Range	Up to 75 HP (55.9 kW)

*See Continental Hydraulics Vane or Piston Pump Catalogs for complete codes and specifications.

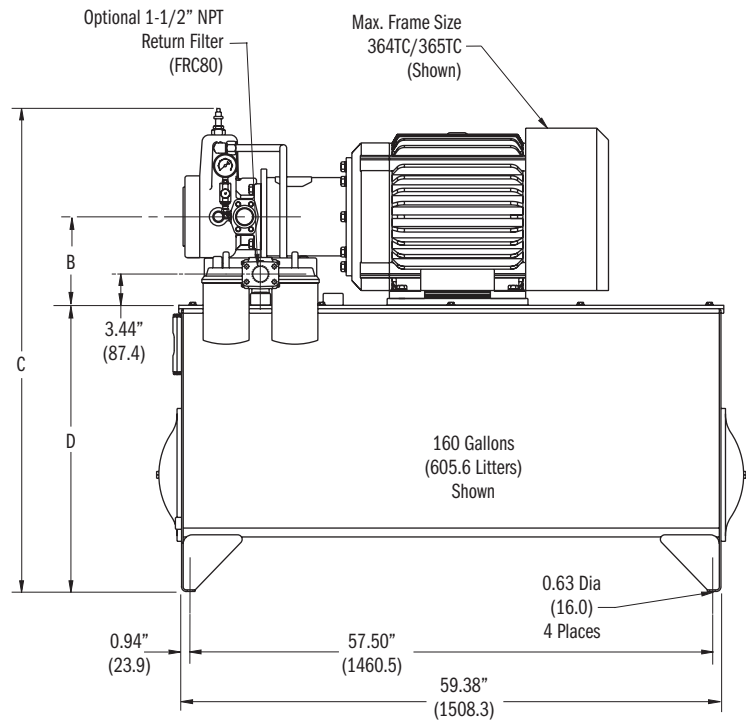
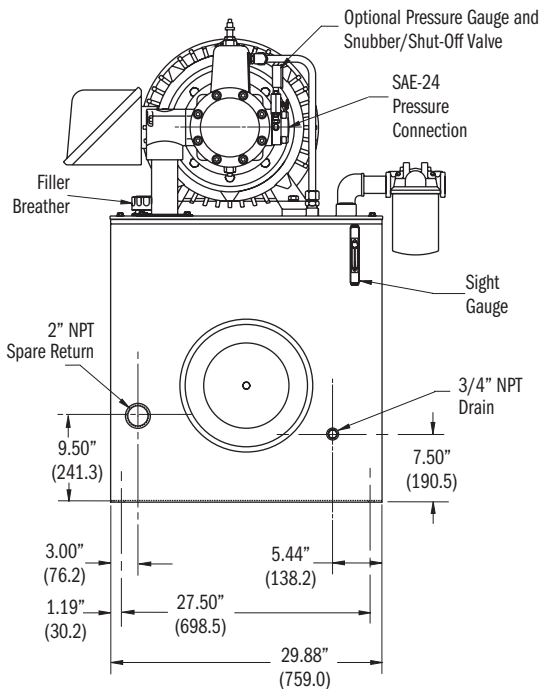
► **FEATURES:**
130/160 GALLON PVR50 VANE PUMP

Dimensions:
inches (± .125")
millimeters (± 1 mm)

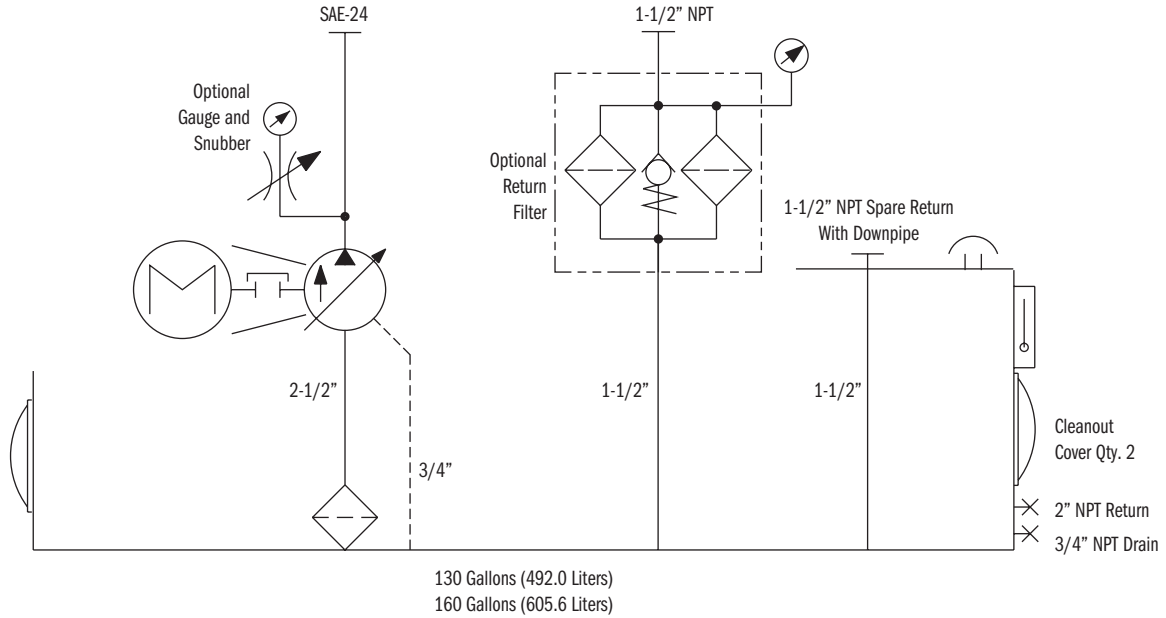


DIMENSIONS (± .125")				
MOTOR FRAME	A	B	C	
			R130	R160
254TC	36.21 (908.9)	7.00 (177.8)	45.41 (1153.4)	50.41 (1280.4)
256TC	37.91 (962.9)	7.00 (177.8)	45.41 (1153.4)	50.41 (1280.4)
284TC	39.84 (1011.9)	7.75 (196.8)	46.16 (1172.5)	51.16 (1299.5)
286TC	41.34 (1050.0)	7.75 (196.8)	46.16 (1172.5)	51.16 (1299.5)
324TC	43.25 (1098.5)	8.75 (222.2)	47.16 (1197.9)	52.16 (1324.9)
326TC	43.25 (1098.5)	8.75 (222.2)	47.16 (1197.9)	52.16 (1324.9)
364TC	46.88 (1190.8)	9.75 (247.6)	48.16 (1223.3)	53.16 (1350.3)
365TC	46.88 (1190.8)	9.75 (247.6)	48.16 (1223.3)	53.16 (1350.3)

D	
R130	R160
26.50 (673.1)	31.50 (800.1)



► **SCHEMATIC & CODES:**
130/160 GALLON PVR50 VANE PUMP

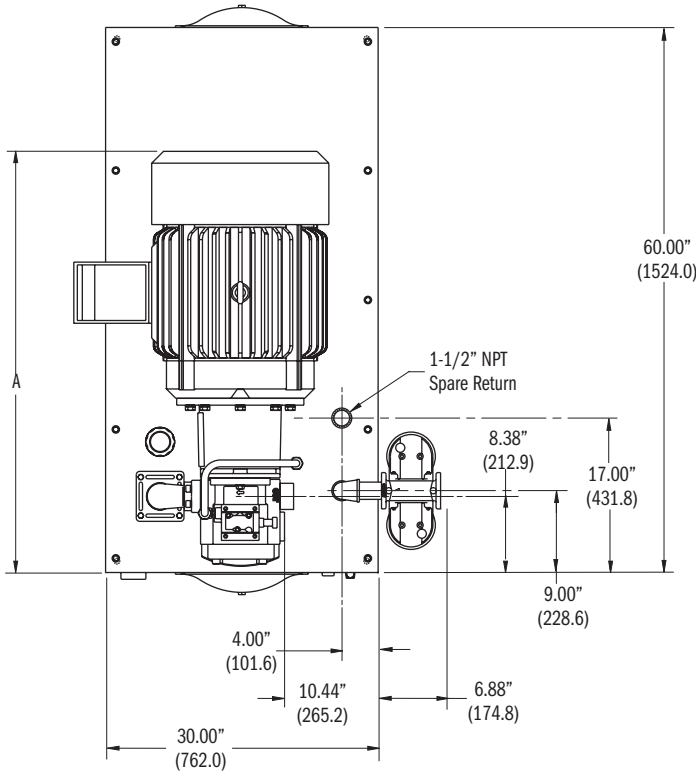


General Specifications	R130	R160
Reservoir Capacity	130 Gal. (492.0 liters)	160 Gal. (605.6 liters)
Surface area For Heat Transfer	32.55 sq. ft. (3.03 m ²)	38.77 sq. ft. (3.60 m ²)
Heat Dissipation	Sq. Ft. of Vertical Steel x ΔT / 1000	Sq. Ft. of Vertical Steel x ΔT / 1000
Basic Weight (Less oil, pump, and motor)	756 lbs. (342.9 kg)	814 lbs. (369.2 kg)
Usable Gallons	50.50 Gal. (191.1 liters)	87.50 Gal. (331.2 liters)
Gallons Per inch Rise	7.41 Gal. (28.0 liters)	7.41 Gal. (28.0 liters)
Capacity, Full to Top Plate	143.33 Gal. (542.5 liters)	180.37 Gal. (682.7 liters)
Capacity, High on Sight Gauge	127.25 Gal. (481.6 liters)	164.25 Gal. (621.7 liters)
Capacity, Low on Sight Gauge	103.25 Gal. (390.8 liters)	140.50 Gal. (531.8 liters)
Pump Data*		
Flow Range	Up to 70 gpm (264.9 lpm)	Up to 70 gpm (264.9 lpm)
Pressure Range	Up to 2000 psi (138 bar)	Up to 2000 psi (138 bar)
Power Range	Up to 75 HP (55.9 kW)	Up to 75 HP (55.9 kW)

*See Continental Hydraulics Vane or Piston Pump Catalogs for complete codes and specifications.

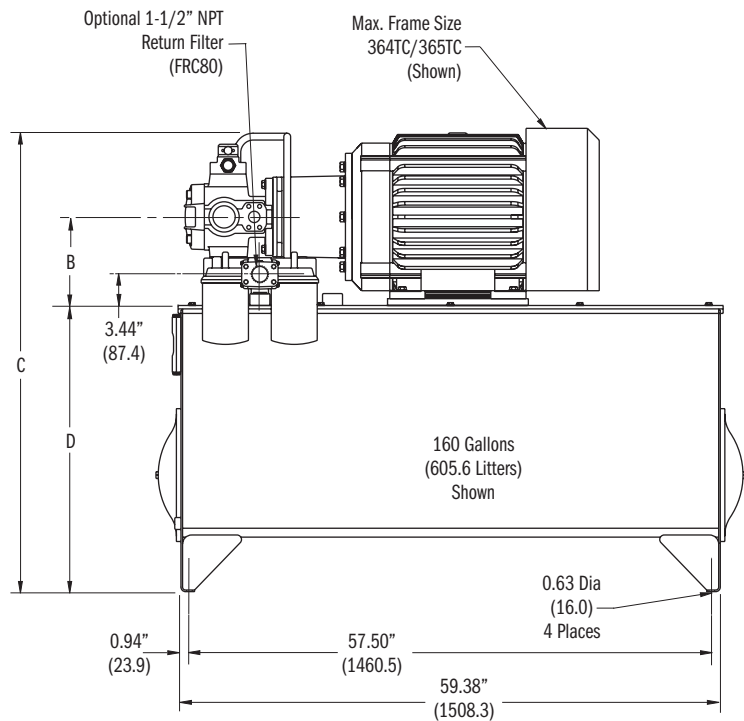
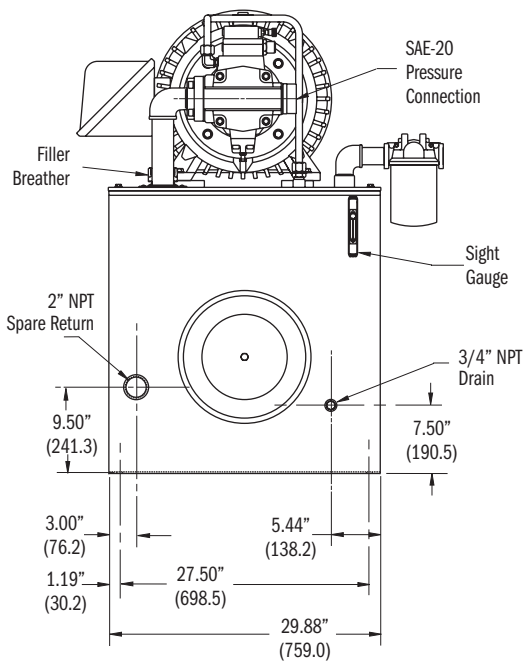
► **FEATURES:**
130/160 GALLON PVX20/29/36 VANE PUMP

Dimensions:
inches (± .125")
millimeters (± 1 mm)

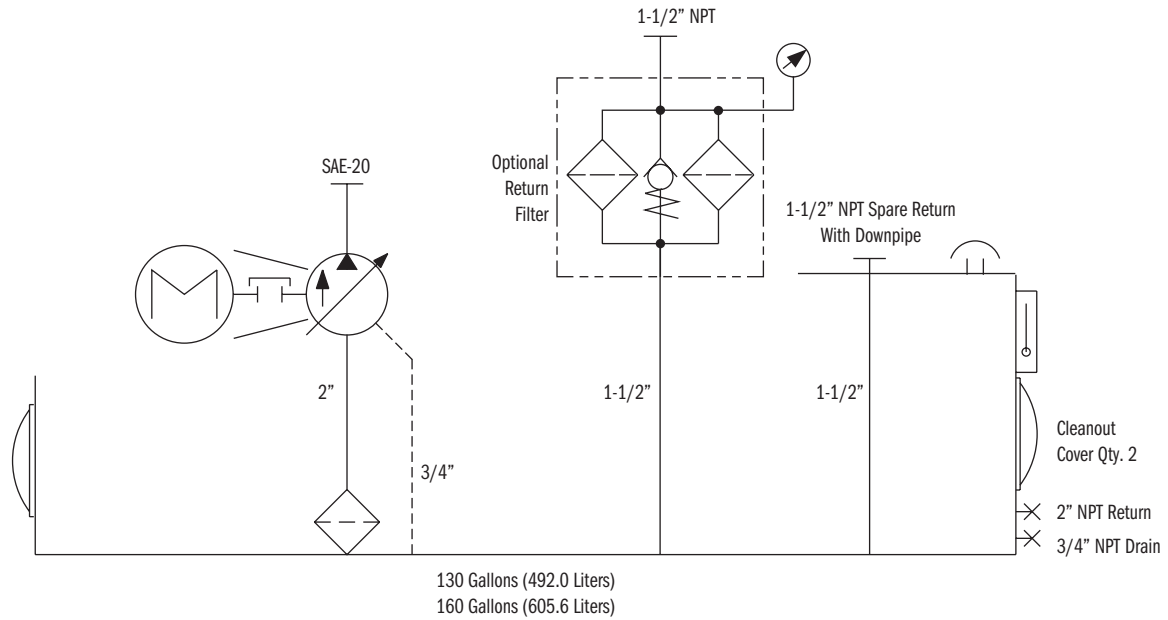


DIMENSIONS (± .125")				
MOTOR FRAME	A	B	C	
			R130	R160
254TC	36.70 (932.2)	7.00 (177.8)	43.75 (1111.2)	48.75 (1238.2)
256TC	38.40 (975.4)	7.00 (177.8)	43.75 (1111.2)	48.75 (1238.2)
284TC	40.20 (1021.1)	7.75 (196.8)	44.50 (1130.3)	49.50 (1257.3)
286TC	41.70 (1059.2)	7.75 (196.8)	44.50 (1130.3)	49.50 (1257.3)
324TC	43.25 (1098.5)	8.75 (222.2)	45.50 (1155.7)	50.50 (1282.7)
326TC	43.25 (1098.5)	8.75 (222.2)	45.50 (1155.7)	50.50 (1282.7)
364TC	46.75 (1187.4)	9.75 (247.6)	46.50 (1181.1)	51.50 (1308.1)
365TC	46.75 (1187.4)	9.75 (247.6)	46.50 (1181.1)	51.50 (1308.1)

D	
R130	R160
26.50 (673.1)	31.50 (800.1)



► **SCHEMATIC & CODES:**
130/160 GALLON PVX20/29/36 VANE PUMP

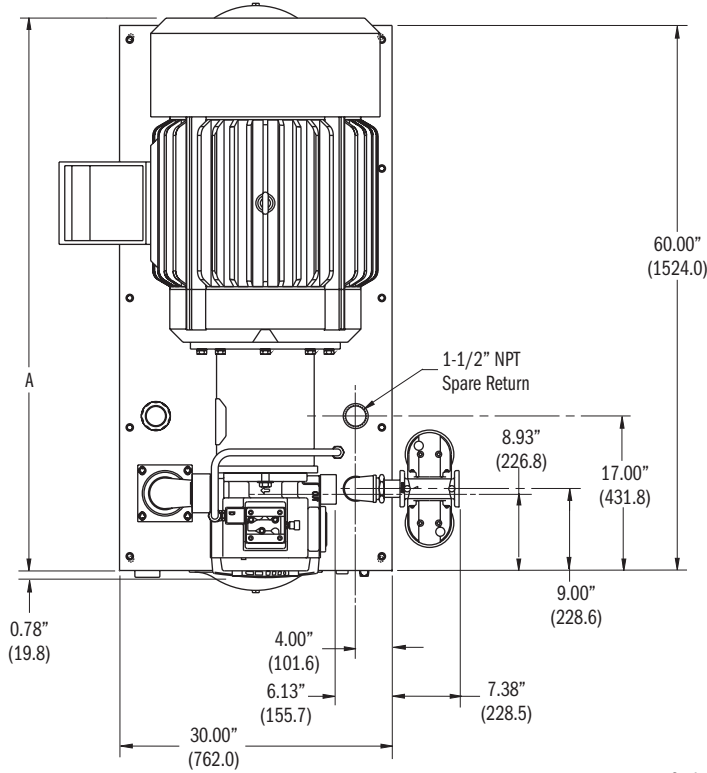


General Specifications	R130	R160
Reservoir Capacity	130 Gal. (492.0 liters)	160 Gal. (605.6 liters)
Surface area For Heat Transfer	32.66 sq. ft. (3.03 m ²)	38.77 sq. ft. (3.60 m ²)
Heat Dissipation	Sq. Ft. of Vertical Steel x ΔT / 1000	Sq. Ft. of Vertical Steel x ΔT / 1000
Basic Weight (Less oil, pump, and motor)	754 lbs. (342.0 kg)	811 lbs. (367.9 kg)
Usable Gallons	62.50 Gal. (236.6 liters)	99.50 Gal. (376.6 liters)
Gallons Per inch Rise	7.41 Gal. (28.0 liters)	7.41 Gal. (28.0 liters)
Capacity, Full to Top Plate	143.33 Gal. (542.5 liters)	180.37 Gal. (682.7 liters)
Capacity, High on Sight Gauge	127.25 Gal. (481.6 liters)	164.25 Gal. (621.7 liters)
Capacity, Low on Sight Gauge	103.25 Gal. (390.8 liters)	140.50 Gal. (531.8 liters)
Pump Data*		
Flow Range	Up to 36 gpm (136.3 lpm)	Up to 36 gpm (136.3 lpm)
Pressure Range	Up to 3000 psi (207 bar)	Up to 3000 psi (207 bar)
Power Range	Up to 75 HP (55.9 kW)	Up to 75 HP (55.9 kW)

*See Continental Hydraulics Vane or Piston Pump Catalogs for complete codes and specifications.

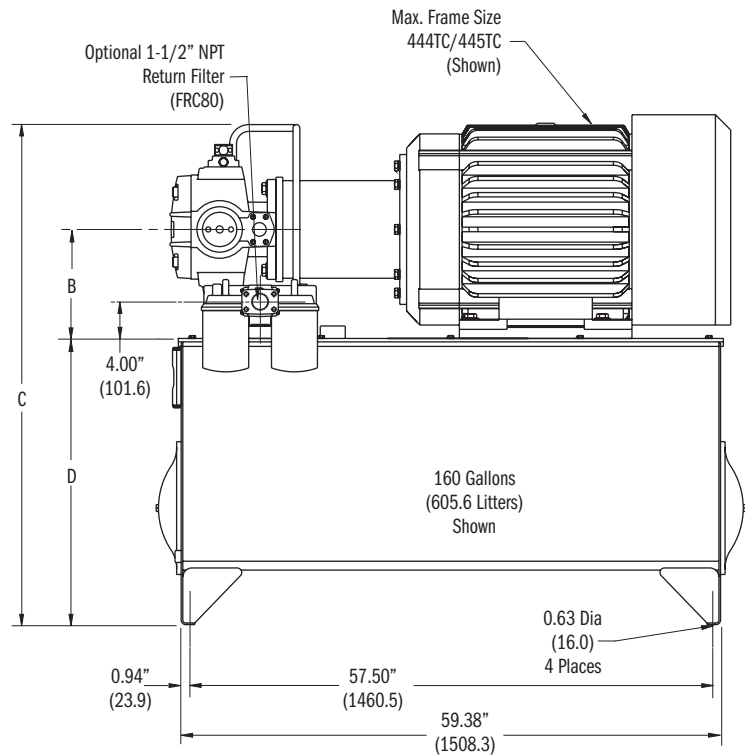
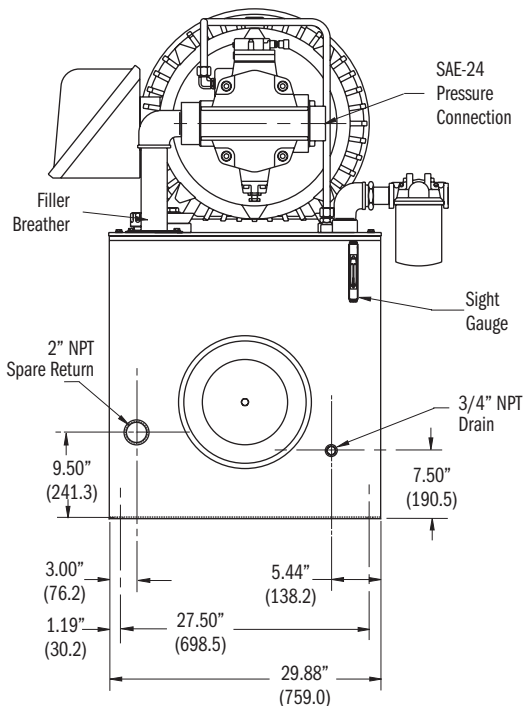
► **FEATURES:**
130/160 GALLON PVX46/60/75 VANE PUMP

Dimensions:
inches (± .125")
millimeters (± 1 mm)

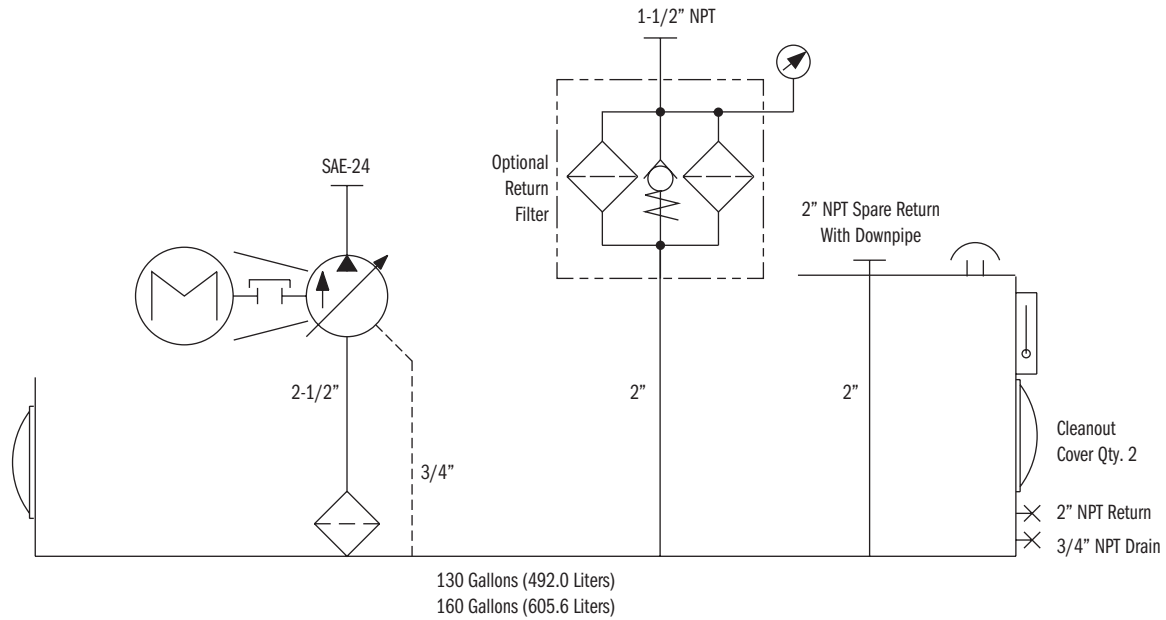


DIMENSIONS (± .125")				
MOTOR FRAME	A	B	C	
			R130	R160
324TC	44.94 (1141.5)	8.75 (222.2)	45.75 (1162.0)	50.75 (1289.0)
326TC	44.94 (1141.5)	8.75 (222.2)	45.75 (1162.0)	50.75 (1289.0)
364TC	47.95 (1217.9)	9.75 (247.6)	46.75 (1187.4)	51.75 (1314.4)
365TC	47.95 (1217.9)	9.75 (247.6)	46.75 (1187.4)	51.75 (1314.4)
404TC	54.31 (1379.5)	11.00 (279.4)	48.00 (1219.2)	53.00 (1346.2)
405TC	54.31 (1379.5)	11.00 (279.4)	48.00 (1219.2)	53.00 (1346.2)
444TC	61.25 (1555.7)	12.00 (304.8)	49.00 (1244.6)	54.00 (1371.6)

D	
R130	R160
26.50 (673.1)	31.50 (800.1)



► **SCHEMATIC & CODES:**
130/160 GALLON PVX46/60/75 VANE PUMP

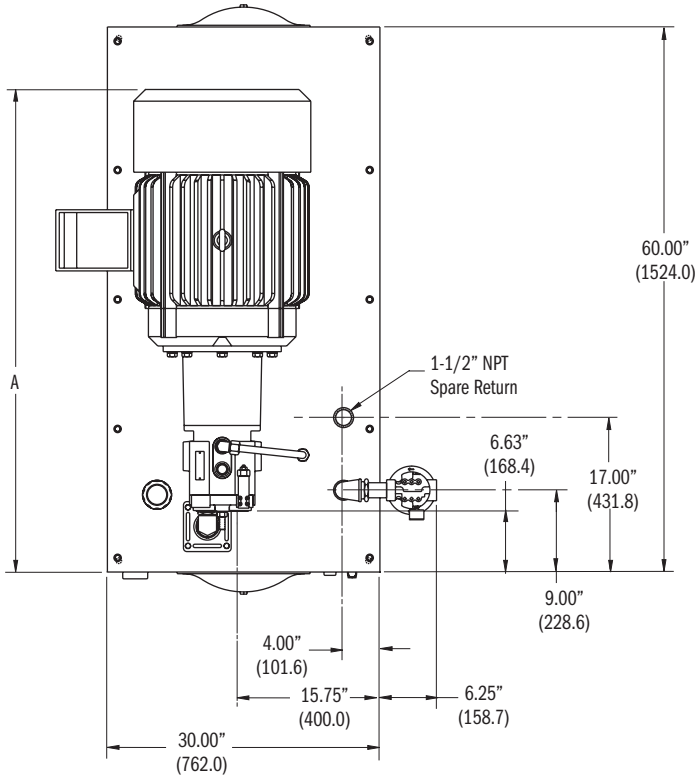


General Specifications	R130	R160
Reservoir Capacity	130 Gal. (492.0 liters)	160 Gal. (605.6 liters)
Surface area For Heat Transfer	32.66 sq. ft. (3.03 m ²)	38.77 sq. ft. (3.60 m ²)
Heat Dissipation	Sq. Ft. of Vertical Steel x ΔT / 1000	Sq. Ft. of Vertical Steel x ΔT / 1000
Basic Weight (Less oil, pump, and motor)	759 lbs. (344.3 kg)	816 lbs. (370.1 kg)
Usable Gallons	50.50 Gal. (191.1 liters)	87.50 Gal. (331.2 liters)
Gallons Per inch Rise	7.41 Gal. (28.0 liters)	7.41 Gal. (28.0 liters)
Capacity, Full to Top Plate	143.33 Gal. (542.5 liters)	180.37 Gal. (682.7 liters)
Capacity, High on Sight Gauge	127.25 Gal. (481.6 liters)	164.25 Gal. (621.7 liters)
Capacity, Low on Sight Gauge	103.25 Gal. (390.8 liters)	140.50 Gal. (531.8 liters)
Pump Data*		
Flow Range	Up to 75 gpm (283.9 lpm)	Up to 75 gpm (283.9 lpm)
Pressure Range	Up to 2500 psi (172 bar)	Up to 2500 psi (172 bar)
Power Range	Up to 125 HP (93.2 kW)	Up to 125 HP (93.2 kW)

*See Continental Hydraulics Vane or Piston Pump Catalogs for complete codes and specifications.

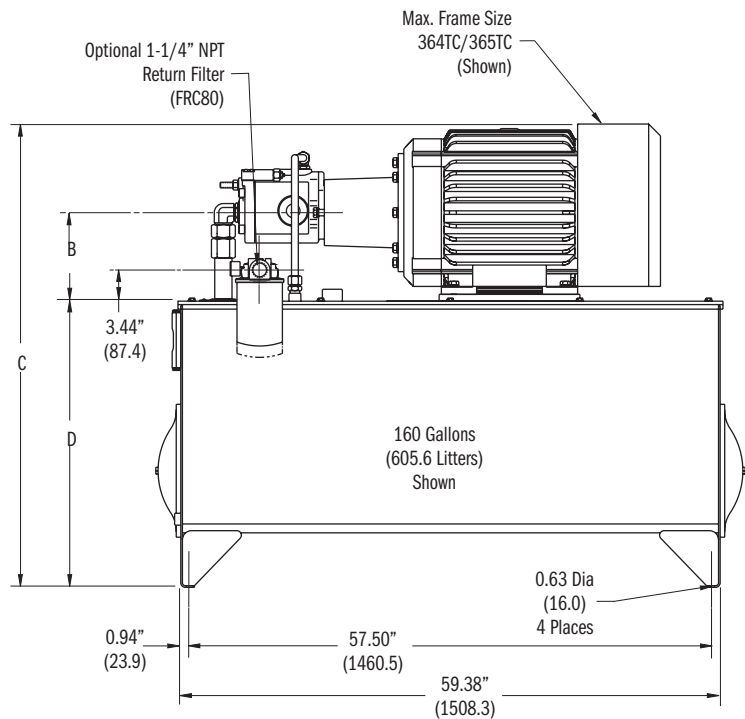
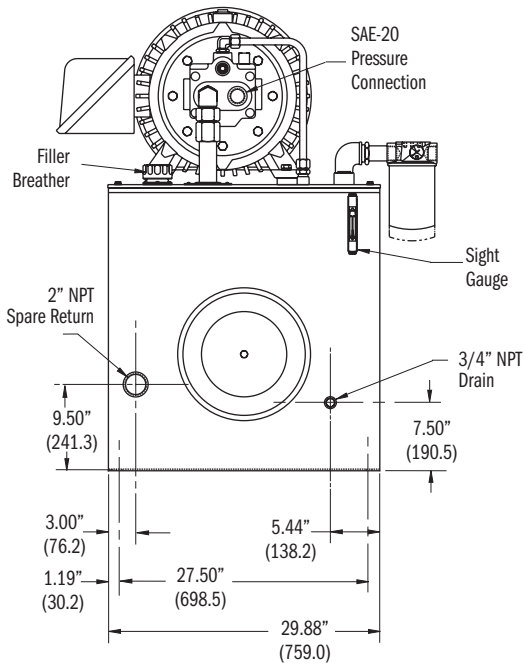
► **FEATURES:**
130/160 GALLON HPVR29 PISTON PUMP

Dimensions:
inches (± .125")
millimeters (± 1 mm)

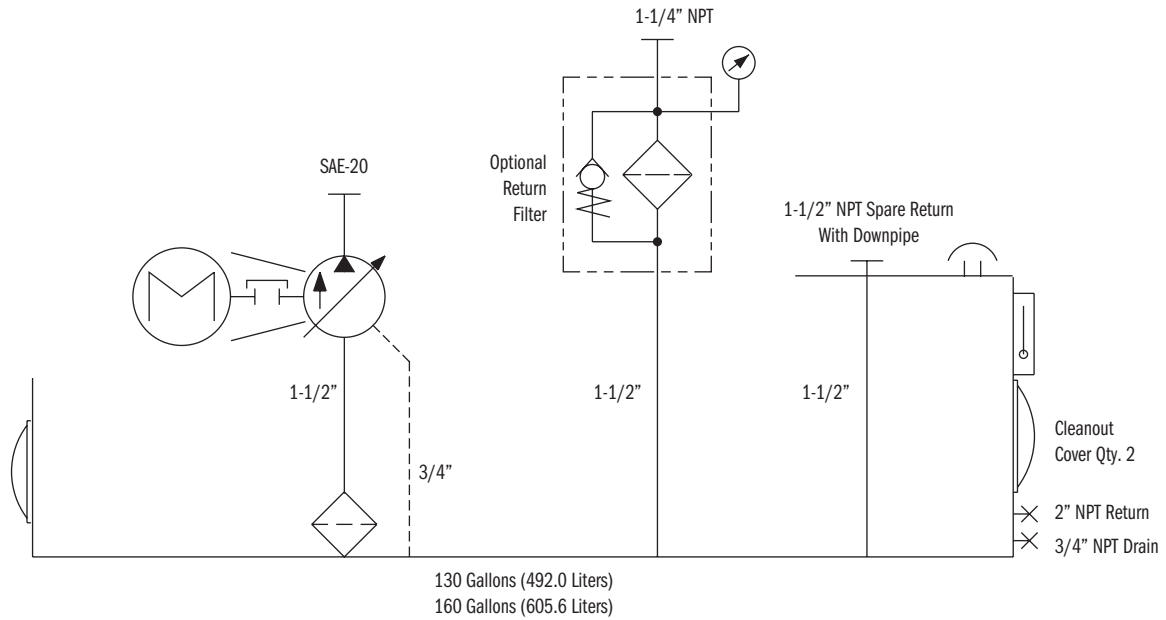


DIMENSIONS (± .125")				
MOTOR FRAME	A	B	C	
			R130	R160
254TC	42.35 (1075.7)	7.00 (177.8)	40.13 (1019.3)	45.13 (1146.3)
256TC	44.05 (1118.9)	7.00 (177.8)	40.13 (1019.3)	45.13 (1146.3)
284TC	45.85 (1164.6)	7.75 (196.8)	41.63 (1130.3)	46.63 (1184.4)
286TC	47.35 (1202.7)	7.75 (196.8)	41.63 (1130.3)	46.63 (1184.4)
324TC	48.89 (1241.8)	8.75 (222.2)	43.60 (1107.4)	48.60 (1234.4)
326TC	48.89 (1241.8)	8.75 (222.2)	43.60 (1107.4)	48.60 (1234.4)
364TC	53.01 (1346.4)	9.75 (247.6)	45.50 (1155.7)	50.50 (1282.7)
365TC	53.01 (1346.4)	9.75 (247.6)	45.50 (1155.7)	50.50 (1282.7)

D	
R130	R160
26.50 (673.1)	31.50 (800.1)



► **SCHEMATIC & CODES:**
130/160 GALLON HPVR29 PISTON PUMP

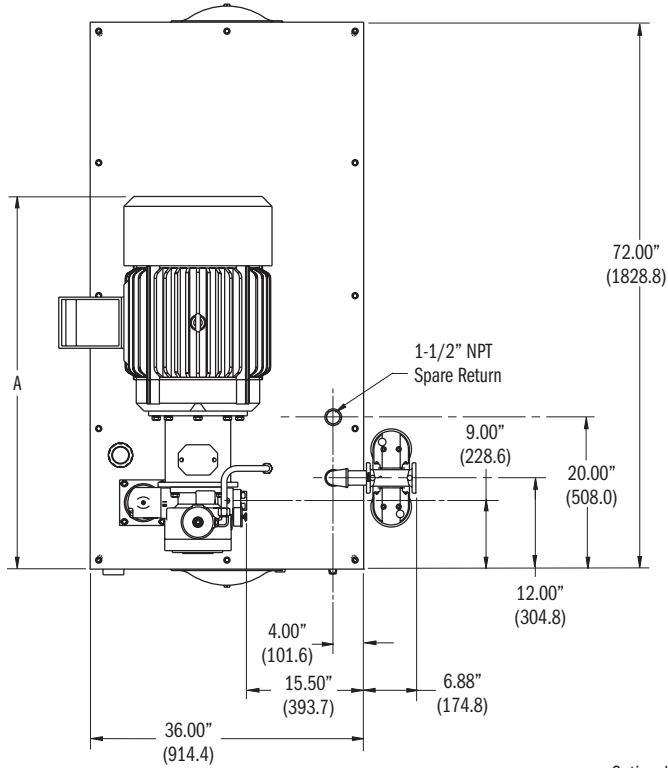


General Specifications	R130	R160
Reservoir Capacity	130 Gal. (492.0 liters)	160 Gal. (605.6 liters)
Surface area For Heat Transfer	32.66 sq. ft. (3.03 m ²)	38.77 sq. ft. (3.60 m ²)
Heat Dissipation	Sq. Ft. of Vertical Steel x ΔT / 1000	Sq. Ft. of Vertical Steel x ΔT / 1000
Basic Weight (Less oil, pump, and motor)	756 lbs. (342.9 kg)	814 lbs. (369.2 kg)
Usable Gallons	62.50 Gal. (236.6 liters)	99.50 Gal. (376.6 liters)
Gallons Per inch Rise	7.41 Gal. (28.0 liters)	7.41 Gal. (28.0 liters)
Capacity, Full to Top Plate	143.33 Gal. (542.5 liters)	180.37 Gal. (682.7 liters)
Capacity, High on Sight Gauge	127.25 Gal. (481.6 liters)	164.25 Gal. (621.7 liters)
Capacity, Low on Sight Gauge	103.25 Gal. (390.8 liters)	140.50 Gal. (531.8 liters)
Pump Data*		
Flow Range	Up to 29 gpm (109.8 lpm)	Up to 29 gpm (109.8 lpm)
Pressure Range	Up to 3000 psi (207 bar)	Up to 3000 psi (207 bar)
Power Range	Up to 75 HP (55.9 kW)	Up to 75 HP (55.9 kW)

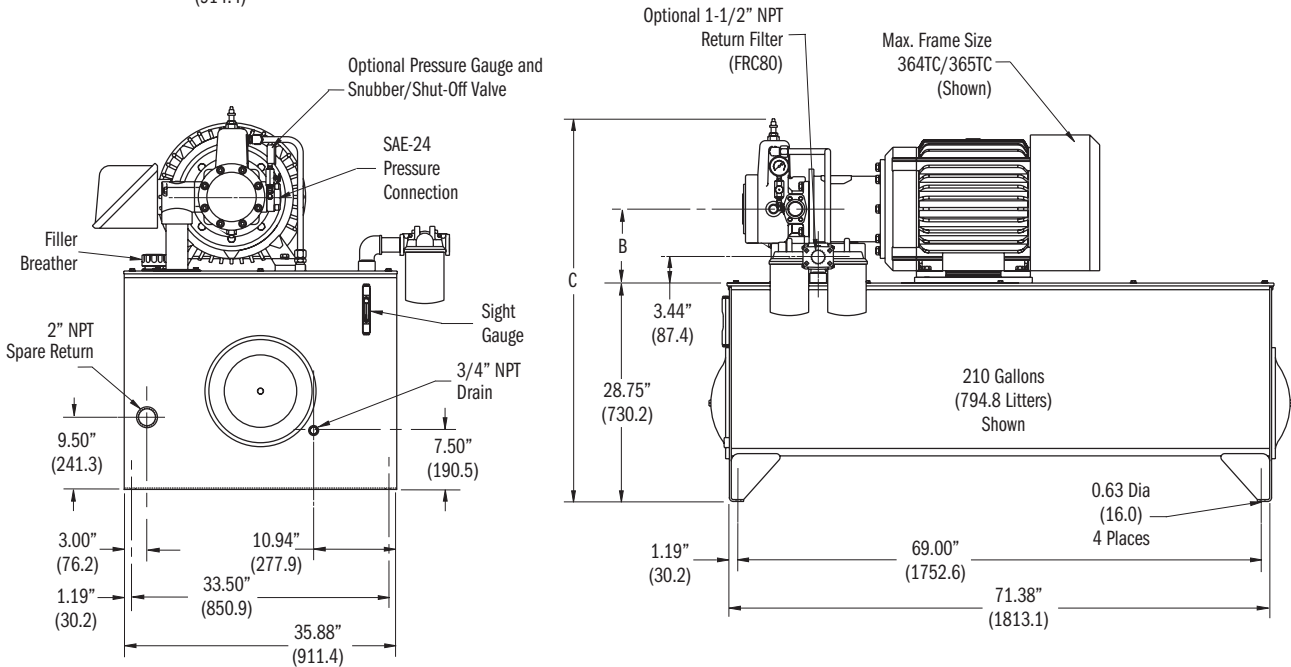
*See Continental Hydraulics Vane or Piston Pump Catalogs for complete codes and specifications.

► **FEATURES:**
210 GALLON PVR50 VANE PUMP

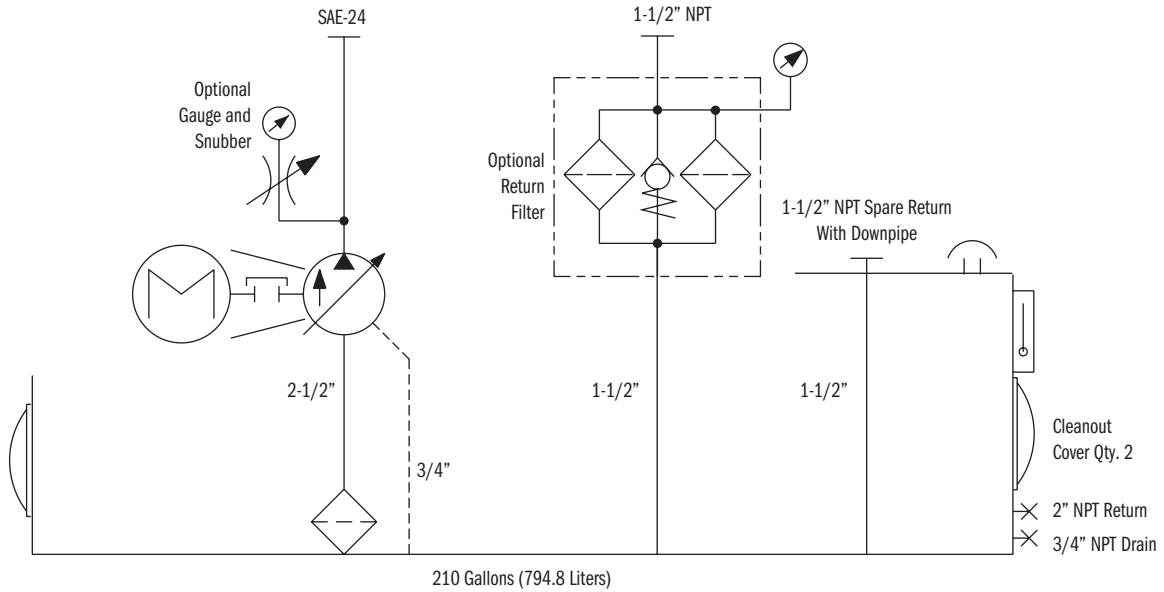
Dimensions:
inches (± .125")
millimeters (± 1 mm)



DIMENSIONS (± .125")			
MOTOR FRAME	A	B	C
254TC	37.96 (964.2)	7.00 (177.8)	47.66 (1210.6)
256TC	39.66 (1007.4)	7.00 (177.8)	47.66 (1210.6)
284TC	41.59 (1056.4)	7.75 (196.8)	48.41 (1229.6)
286TC	44.09 (1094.5)	7.75 (196.8)	48.41 (1229.6)
324TC	45.89 (1143.0)	8.75 (222.2)	49.51 (1257.6)
326TC	45.89 (1143.0)	8.75 (222.2)	49.51 (1257.6)
364TC	58.63 (1235.2)	9.75 (247.6)	50.41 (1280.4)
365TC	58.63 (1235.2)	9.75 (247.6)	50.41 (1280.4)



► **SCHEMATIC & CODES:**
210 GALLON PVR50 VANE PUMP

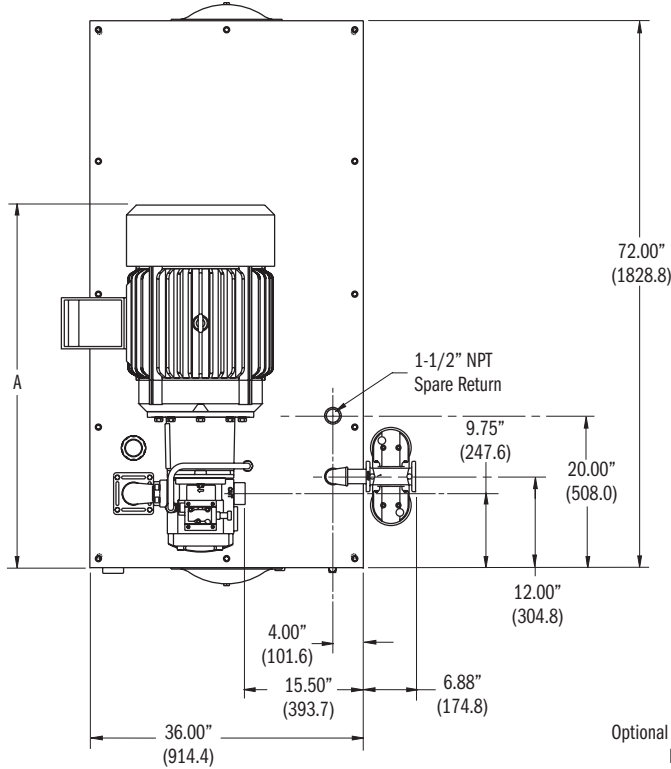


General Specifications	R210
Reservoir Capacity	210 Gal. (794.8 liters)
Surface area For Heat Transfer	43.84 sq. ft. (4.07 m ²)
Heat Dissipation	Sq. Ft. of Vertical Steel x ΔT / 1000
Basic Weight (Less oil, pump, and motor)	994 lbs. (450.9 kg)
Usable Gallons	90.57 Gal. (342.8 liters)
Gallons Per inch Rise	10.74 Gal. (40.7 liters)
Capacity, Full to Top Plate	232.00 Gal. (878.1 liters)
Capacity, High on Sight Gauge	210.75 Gal. (763.6 liters)
Capacity, Low on Sight Gauge	167.56 Gal. (634.2 liters)
Pump Data*	
Flow Range	Up to 70 gpm (264.9 lpm)
Pressure Range	Up to 2000 psi (138 bar)
Power Range	Up to 75 HP (55.9 kW)

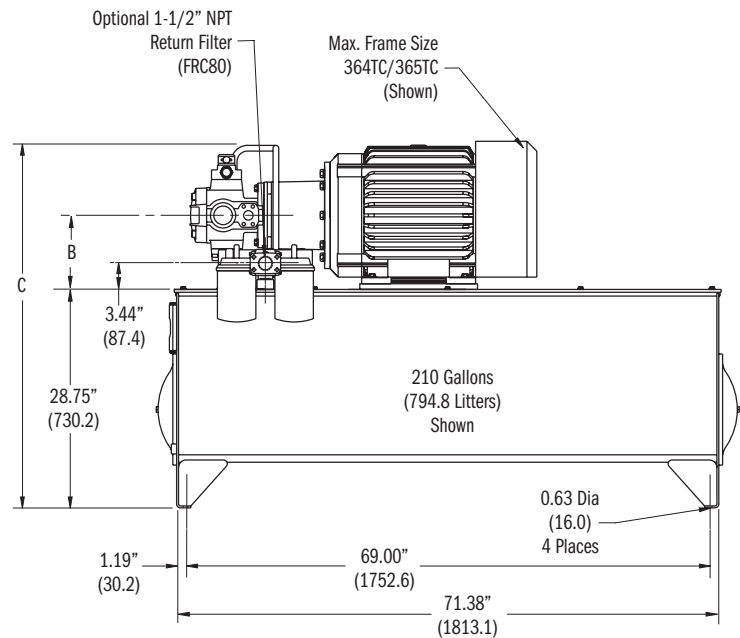
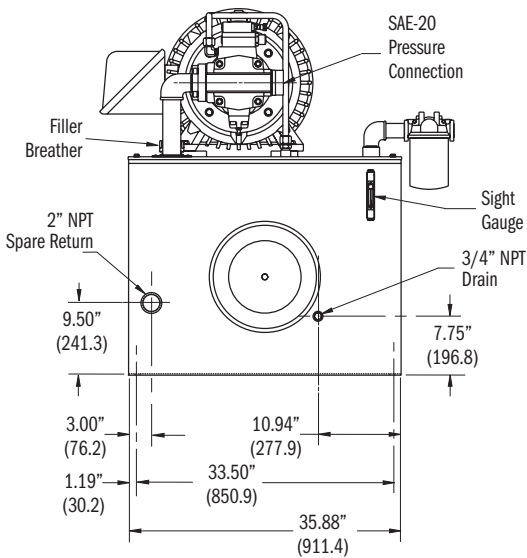
*See Continental Hydraulics Vane or Piston Pump Catalogs for complete codes and specifications.

► **FEATURES:**
210 GALLON PVX20/29/36 VANE PUMP

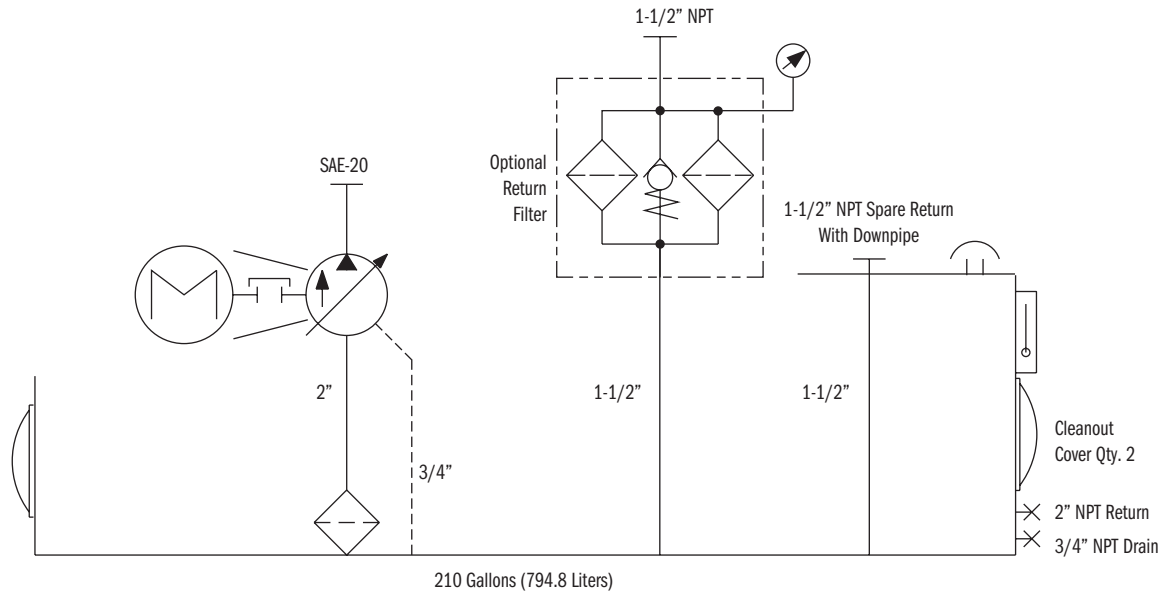
Dimensions:
inches (± .125")
millimeters (± 1 mm)



DIMENSIONS (± .125")			
MOTOR FRAME	A	B	C
254TC	38.07 (967.0)	7.00 (177.8)	46.00 (1168.4)
256TC	39.77 (1010.2)	7.00 (177.8)	46.00 (1168.4)
284TC	41.57 (1055.9)	7.75 (196.8)	46.75 (1187.4)
286TC	43.07 (1094.0)	7.75 (196.8)	46.75 (1187.4)
324TC	44.61 (1133.1)	8.75 (222.2)	47.75 (1212.8)
326TC	44.61 (1133.1)	8.75 (222.2)	47.75 (1212.8)
364TC	48.11 (1222.0)	9.75 (247.6)	48.75 (1238.2)
365TC	48.11 (1222.0)	9.75 (247.6)	48.75 (1238.2)



► **SCHEMATIC & CODES:**
210 GALLON PVX20/29/36 VANE PUMP

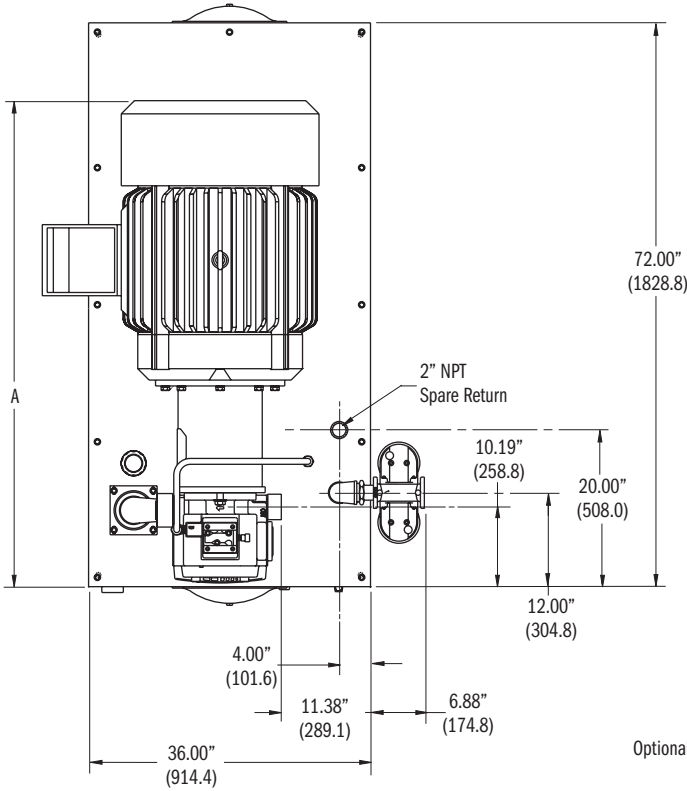


General Specifications	R210
Reservoir Capacity	210 Gal. (794.8 liters)
Surface area For Heat Transfer	43.84 sq. ft. (4.07 m ²)
Heat Dissipation	Sq. Ft. of Vertical Steel x ΔT / 1000
Basic Weight (Less oil, pump, and motor)	990 lbs. (449.1 kg)
Usable Gallons	109.36 Gal. (413.9 liters)
Gallons Per inch Rise	10.74 Gal. (40.7 liters)
Capacity, Full to Top Plate	232.00 Gal. (878.1 liters)
Capacity, High on Sight Gauge	210.75 Gal. (763.6 liters)
Capacity, Low on Sight Gauge	167.56 Gal. (634.2 liters)
Pump Data*	
Flow Range	Up to 36 gpm (136.3 lpm)
Pressure Range	Up to 3000 psi (207bar)
Power Range	Up to 75 HP (55.9 kW)

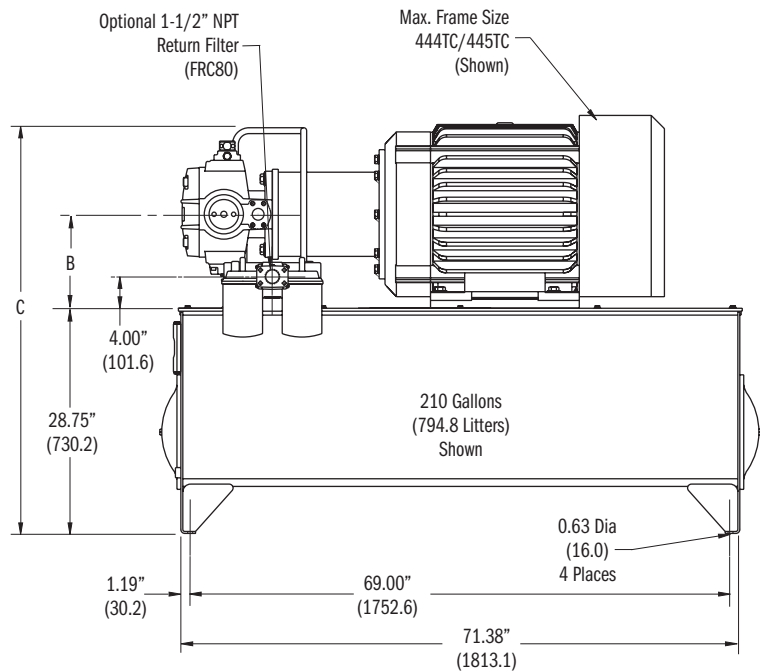
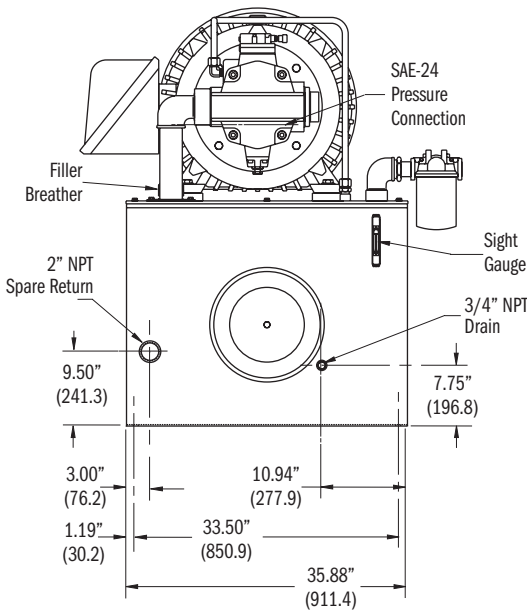
*See Continental Hydraulics Vane or Piston Pump Catalogs for complete codes and specifications.

► **FEATURES:**
210 GALLON PVX46/60/75 VANE PUMP

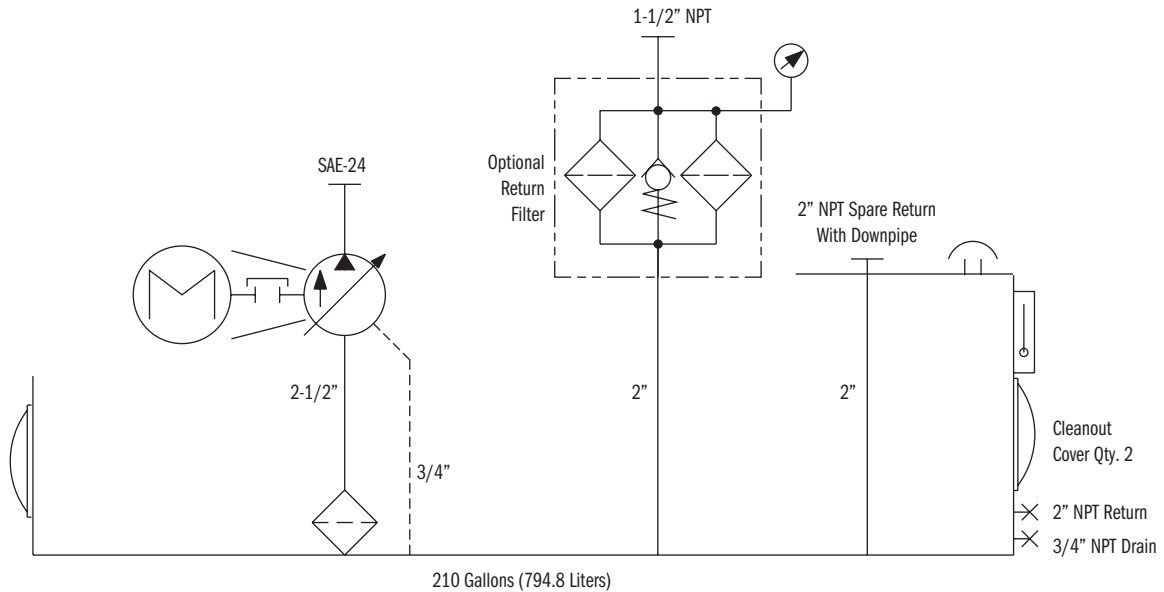
Dimensions:
inches (± .125")
millimeters (± 1 mm)



DIMENSIONS (± .125")			
MOTOR FRAME	A	B	C
324TC	46.20 (1173.5)	8.75 (222.2)	48.00 (1219.2)
326TC	46.20 (1173.5)	8.75 (222.2)	48.00 (1219.2)
364TC	49.21 (1249.0)	9.75 (247.6)	49.00 (1244.6)
365TC	49.21 (1249.0)	9.75 (247.6)	49.00 (1244.6)
404TC	55.57 (1411.5)	11.00 (279.4)	50.25 (1276.3)
405TC	55.57 (1411.5)	11.00 (279.4)	50.25 (1276.3)
444TC	62.50 (1587.5)	12.00 (304.8)	51.25 (1301.7)



► **SCHEMATIC & CODES:**
210 GALLON PVX46/60/75 VANE PUMP

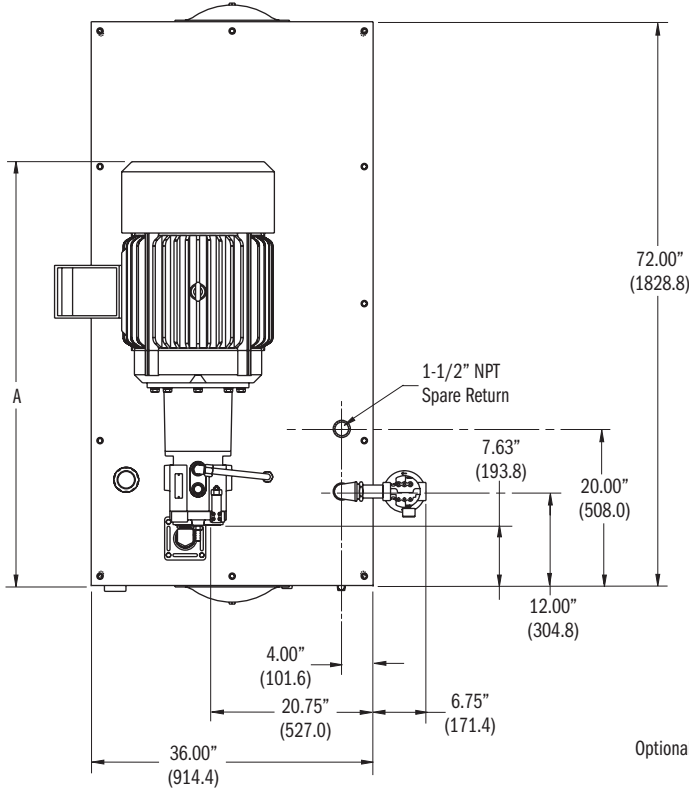


General Specifications	R210
Reservoir Capacity	210 Gal. (794.8 liters)
Surface area For Heat Transfer	43.84 sq. ft. (4.07 m ²)
Heat Dissipation	Sq. Ft. of Vertical Steel x ΔT / 1000
Basic Weight (Less oil, pump, and motor)	996 lbs. (451.8 kg)
Usable Gallons	90.57 Gal. (342.8 liters)
Gallons Per inch Rise	10.74 Gal. (40.7 liters)
Capacity, Full to Top Plate	232.00 Gal. (878.1 liters)
Capacity, High on Sight Gauge	210.75 Gal. (763.6 liters)
Capacity, Low on Sight Gauge	167.56 Gal. (634.2 liters)
Pump Data*	
Flow Range	Up to 75 gpm (283.9 lpm)
Pressure Range	Up to 2500 psi (172bar)
Power Range	Up to 125 HP (93.2 kW)

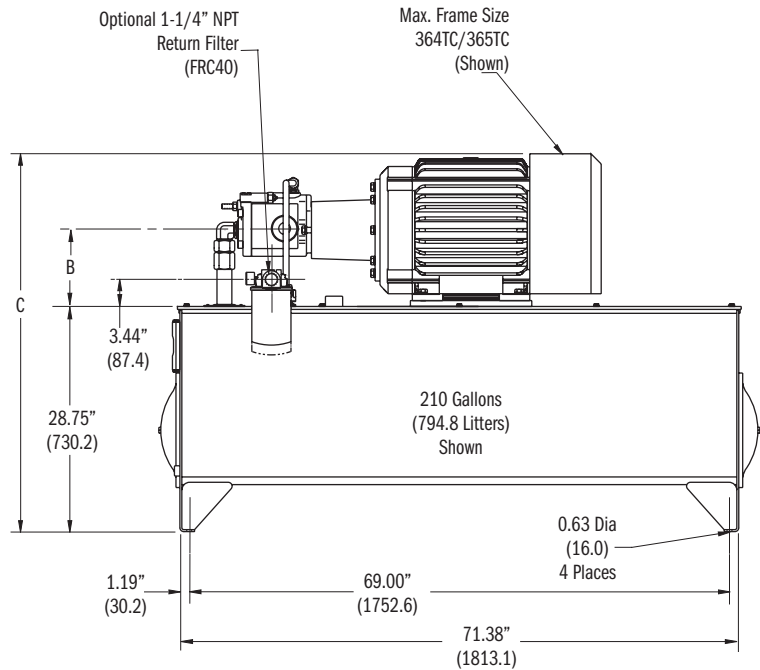
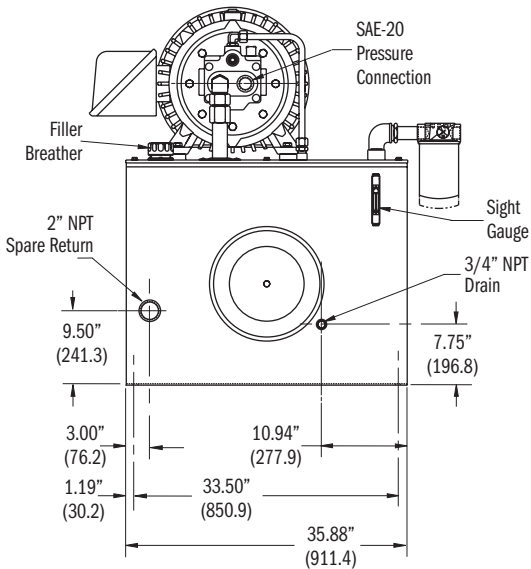
*See Continental Hydraulics Vane or Piston Pump Catalogs for complete codes and specifications.

► **FEATURES:**
210 GALLON HPVR29 PISTON PUMP

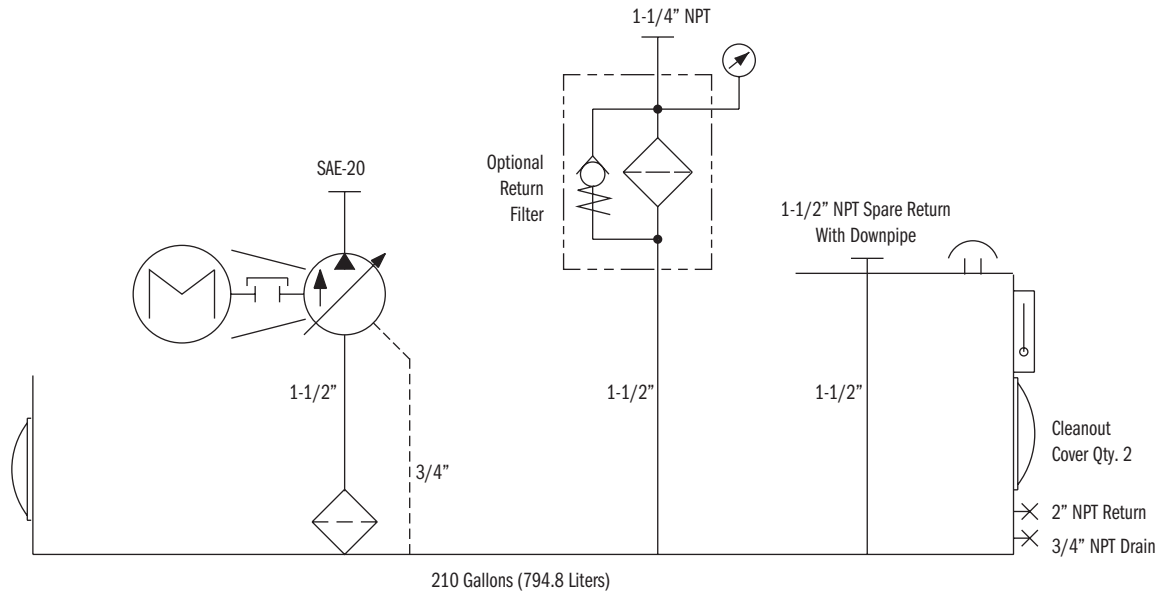
Dimensions:
inches (± .125")
millimeters (± 1 mm)



DIMENSIONS (± .125")			
MOTOR FRAME	A	B	C
254TC	43.35 (1101.1)	7.00 (177.8)	42.38 (1076.5)
256TC	45.05 (1144.3)	7.00 (177.8)	42.38 (1076.5)
284TC	46.05 (1169.7)	7.75 (196.8)	43.88 (1114.6)
286TC	48.35 (1228.1)	7.75 (196.8)	43.88 (1114.6)
324TC	49.89 (1267.2)	8.75 (222.2)	45.85 (1164.6)
326TC	49.89 (1267.2)	8.75 (222.2)	45.85 (1164.6)
364TC	54.13 (1374.9)	9.75 (247.6)	47.75 (1212.8)
365TC	54.13 (1374.9)	9.75 (247.6)	47.75 (1212.8)



► **SCHEMATIC & CODES:**
210 GALLON HPVR29 PISTON PUMP



General Specifications	R210
Reservoir Capacity	210 Gal. (794.8 liters)
Surface area For Heat Transfer	43.84 sq. ft. (4.07 m ²)
Heat Dissipation	Sq. Ft. of Vertical Steel x ΔT / 1000
Basic Weight (Less oil, pump, and motor)	994 lbs. (451.8 kg)
Usable Gallons	90.36 Gal. (413.9 liters)
Gallons Per inch Rise	10.74 Gal. (40.7 liters)
Capacity, Full to Top Plate	232.00 Gal. (878.1 liters)
Capacity, High on Sight Gauge	210.75 Gal. (763.6 liters)
Capacity, Low on Sight Gauge	167.56 Gal. (634.2 liters)
Pump Data*	
Flow Range	Up to 29 gpm (109.8 lpm)
Pressure Range	Up to 3000 psi (207bar)
Power Range	Up to 75 HP (55.9 kW)

*See Continental Hydraulics Vane or Piston Pump Catalogs for complete codes and specifications.



CONTINENTAL VALVE ACCESSORIES
Connectors and Cable Sets

Connectors and Cable Sets

Standard Directional Control Valves

Male Receptacles

VEA-3C-A Ø 19/16 1001848	VEA-3MH-A 13/16H 1001849	VEA-3L4-A M12 x 1.5/16 1001850
---------------------------------------	---------------------------------------	---

Female Receptacles

VEA-3M-A Ø 19/16 264051 Ø 1/4, coned	VEA-3L-A M12 x 1.5/16H 264054 Ø 1/4, coned	DIN Connector 43550 Form A / ISO 4400 VEA-3E-A (Grey) 165639 VEA-3F-A (Black) 165638
--	--	--

Cable Glands
VSD-HL-KDZ

PC11 ISO
Strain-Relief

www.continentalhydraulics.com • sales@conthyd.com 1027453 Rev 01/24 1/5

Connectors and Cable Sets
Form #1027453

CONTINENTAL HYDRAULICS INC. / HYDRECO HYDRAULICS INC.
4895 12th Avenue East, Shakopee, Minnesota 55379
952.895.6400 • sales@conthyd.com • www.continentalhydraulics.com
704.295.7575 • sales-us@hydreco.com • www.hydreco.com

© 2023-2024 CONTINENTAL HYDRAULICS Inc., All Rights Reserved. Specifications/appearance are subject to change without notice.