



REPAIR PARTS KITS

PVX Series Vane Pumps
PVX-8/11/15

“A” Design Series

When ordering, please include the pump model number and design letter series.



REBUILD KITS

MODEL	SAE	SAE - "P1"
PVX-8	264288	264289
PVX-11/15	264292	264293

SEAL KITS

MODEL	SAE
PVX-8	264275
PVX-11/15	264276

VANE KITS

MODEL	SAE
PVX-8	264270
PVX-11/15	264271

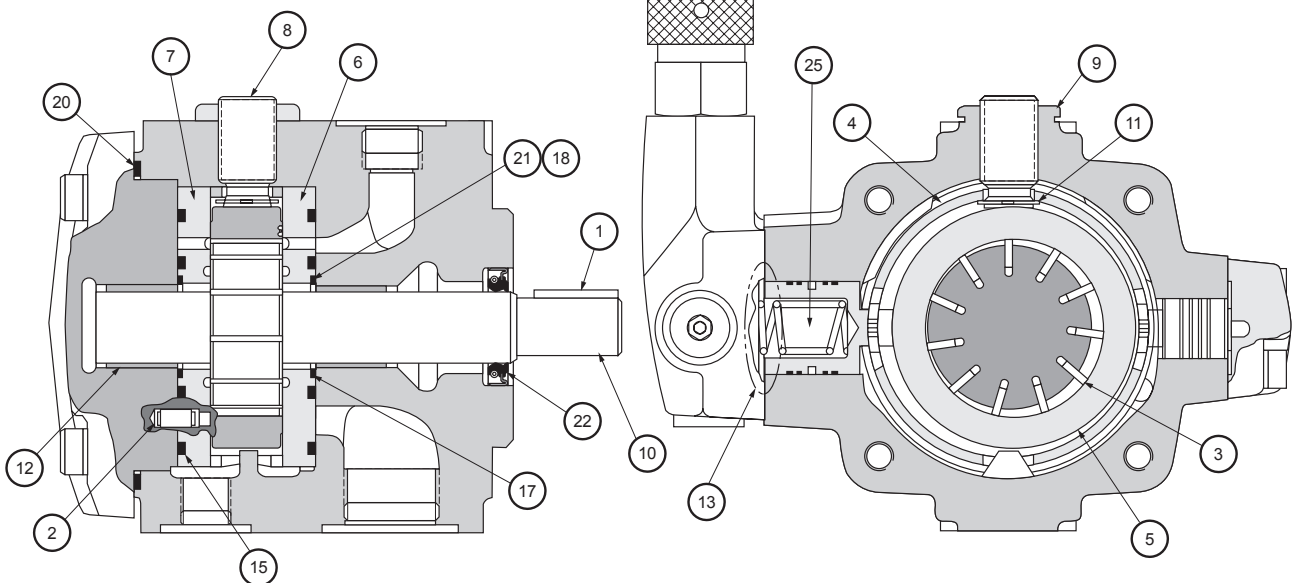
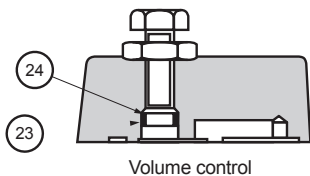
Rebuild kits consists of:

REF	DESCRIPTION	QTY
1	Key	1
2	Roll Pin	4
3	Vane Kit	1
4	Spacer Ring	1
5	Pressure Ring	1
6	Port Plate, Body	1
7	Port Plate, Cover	1
8	Thrust Screw	1
9	Lock Nut	1
10	Shaft	1
11	Retaining Ring (PVX-8)	1
12	Bearing	2
	Seal Kit	1

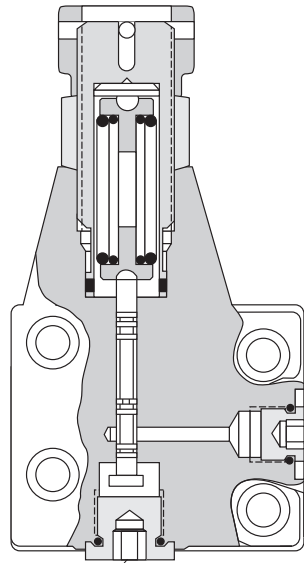
Seal kits consists of:

REF	DESC. PVX-8 (PVX-11/15)	QTY
13	O-Ring ASA-111 (ASA-111)	2
15	O-Ring ASA-127 (ASA-127)	1
15	O-Ring ASA 127 (ASA-136)	2
17	O-Ring ASA-026 (ASA-028)	2
18	O-Ring ASA-151 (ASA-152)	2
20	O-Ring ASA-156 (ASA-160)	1
21	Back-Up Ring Port Plate	2
22	Shaft Seal	1
23	O-Ring ASA-011 (ASA-011)	1
24	Back-Up Ring	1
	Seal Ring	1

NOTE: All O-Rings have durometer rating of ≥ 75.



SINGLE STAGE COMPENSATOR



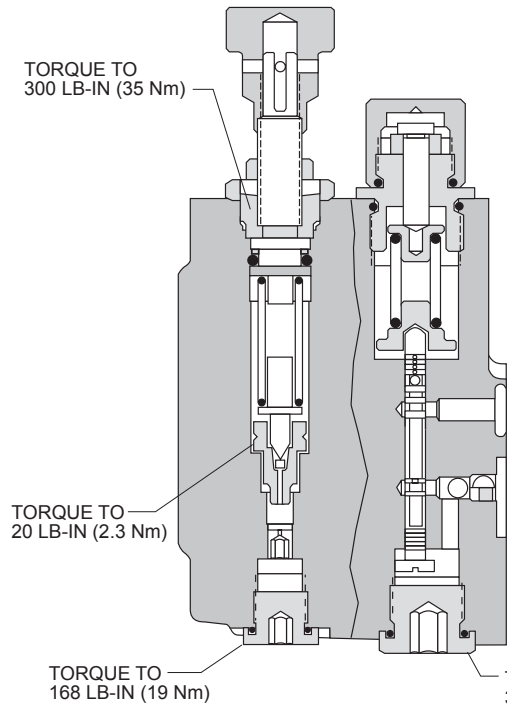
COMPLETE ASSEMBLY FOR SINGLE STAGE COMPENSATOR	
SAE	264404

TORQUE TO
335 LB-IN (38 Nm)

TORQUE TO
168 LB-IN (19 Nm)

ATTENTION: Activating shock clipper is highly recommended on all applications greater than 2000 psi (140 bar). Install unrestricted line back to the tank.

TWO STAGE COMPENSATOR



TORQUE TO
300 LB-IN (35 Nm)

TORQUE TO
20 LB-IN (2.3 Nm)

TORQUE TO
168 LB-IN (19 Nm)

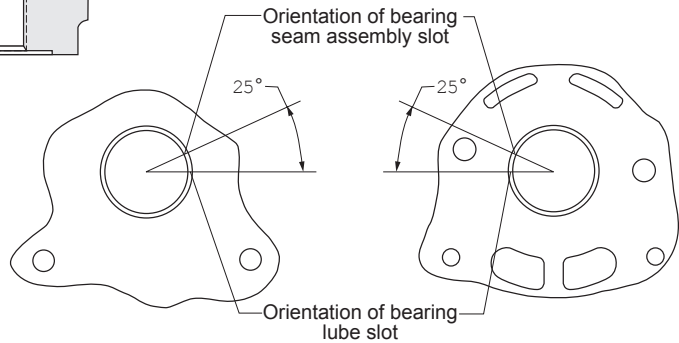
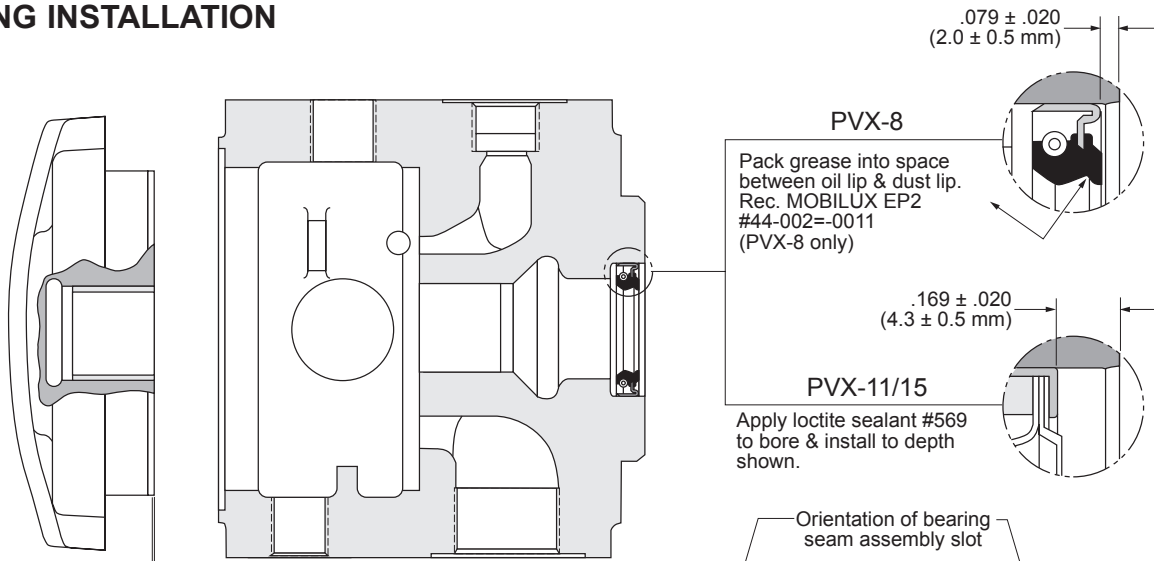
TORQUE TO
335 LB-IN (38 Nm)

COMPLETE ASSEMBLY FOR TWO STAGE COMPENSATOR	
SAE	264405

COMPLETE ASSEMBLY FOR LOAD SENSE	
SAE	264406

BEARING INSTALLATION

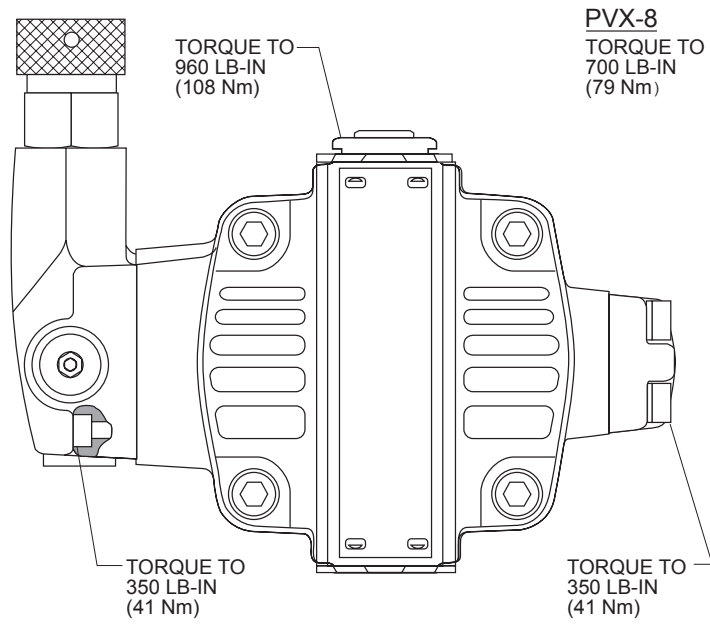
Install bearings flush to .020 (0.5 mm) below the machined surface.



COVER BEARING

BODY BEARING

TORQUE RATINGS



PVX-8
TORQUE TO
700 LB-IN
(79 Nm)

PVX-11/15
TORQUE TO
1200 LB-IN
(140 Nm)



Continental Hydraulics
5505 West 123rd St.
Savage, MN 55378
Phone: (952) 895-6400 Fax: (952) 895-6444
www.continentalhydraulics.com

Because Continental Hydraulics is continually improving its' products, specifications and appearance are subject to change without notice.