



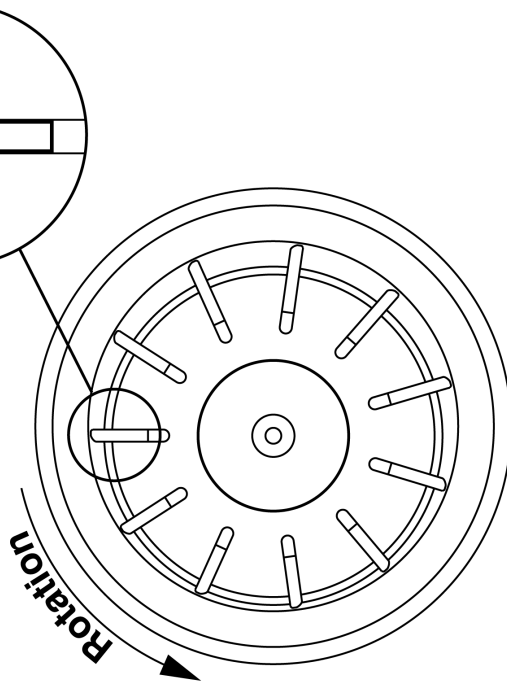
SERVICE ADVISORY
Critical Vane Orientation
In PVX Pumps



SERVICE ADVISORY
Critical Vane Orientation
In PVX Pumps

The leading edge of the vanes must be oriented in the direction of rotation. The leading edge is identified as the low side of the vane taper. Improper installation will result in excessive noise, greatly reduced vane life, and possible pump failure.
Make sure all vane slots have a vane in them.

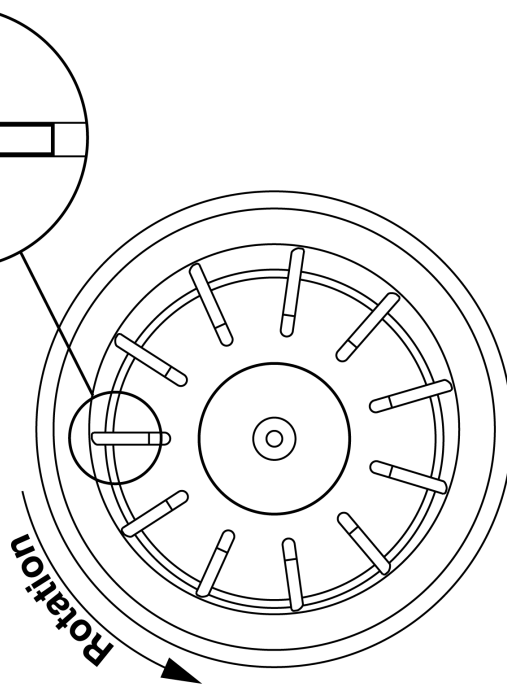
Vane tip orientation is critical



Pump body viewed from cover side

The leading edge of the vanes must be oriented in the direction of rotation. The leading edge is identified as the low side of the vane taper. Improper installation will result in excessive noise, greatly reduced vane life, and possible pump failure.
Make sure all vane slots have a vane in them.

Vane tip orientation is critical



Pump body viewed from cover side