

P05MSV-PD

Pilot Operated Pressure Reducing Valve

MODULAR VERSION
NFPA D05 ISO 4401-05

P max 5000 PSI 350 bar
Q max SEE PERFORMANCE TABLE

DESCRIPTION

This valve is a pilot operated pressure reducing valve with mounting surface according to NFPA D05/ISO 4401-05 standards. It is used to reduce pressure on secondary circuit branches, assuring stability of the controlled pressure. It can be assembled in a stack under a NFPA D05/ISO 4401-05 directional solenoid valve using suitable tie rods or bolts. It is supplied with a hex socket adjustment screw and a locknut. The maximum travel of the adjustment screw is limited. It is available in three pressure adjustment ranges, up to 4000psi [280bar].

Key Features:

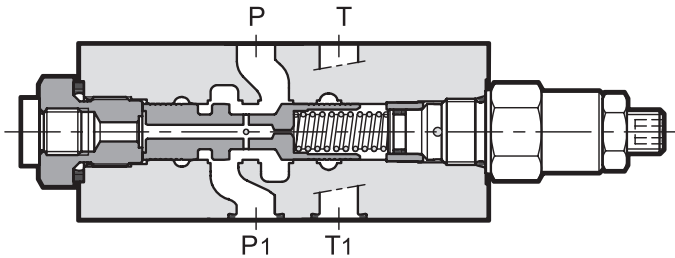
- Maximum operating pressure: P05MSV-PD / PDA / PDB is 5000 psi
- Maximum flow rate P05MSV-PD for controlled lines 21 gpm and free lines 26 gpm

PERFORMANCE (Measured with mineral oil of viscosity 36cSt at 120°F [50°C])

Max operating pressure:	PSI [bar]	5000 (350)
Maximum flow rate in the controlled line P		21 [80]
Maximum flow rate in the free lines	GPM [l/min]	26 [100]
Drain flow rate		≤ 0.21 [≤ 0.8]
Ambient temperature range	°F [°C]	-4 to 140 [-20 to +60]
Fluid temperature range	°F [°C]	-4 to 176 [-20 to +80]
Fluid viscosity range	cSt	10 - 400
Recommended viscosity	cSt	25
Fluid contamination degree		according to ISO 4406:1999 class 20/18/15
Mass: P05MSV-RP	lbs [kg]	6.0 [2.7]

P05MSV-PD



P05MSV-PD

OPERATING PRINCIPLE

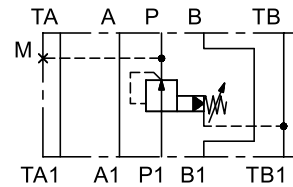
- The P05MSV-PD valve is a pilot operated pressure reducing valve with mounting surface according to NFPA D05/ISO 4401-05 standards.
- It is used to reduce pressure on secondary circuit branches, assuring stability of the controlled pressure.
- It can be assembled in a stack under a NFPA D05/ISO 4401-05 directional solenoid valve using suitable tie rods or bolts.
- It is supplied with a hex socket adjustment screw and a locknut. The maximum travel of the adjustment screw is limited.
- It is available in three pressure adjustment ranges, up to 4000psi [280bar].

HYDRAULIC FLUIDS

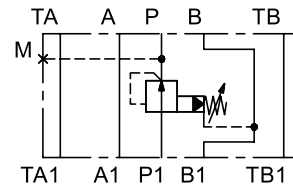
Use mineral oil-based hydraulic fluids HL or HM type, according to ISO 6743-4. For these fluids, use NBR seals (code A). For fluids HFDR type (phosphate esters) use FPM seals (code G). For the use of other kinds of fluid such as HFA, HFB, HFC, please consult our technical department. Using fluids at temperatures higher than 176°F [80°C] causes a faster degradation of the fluid and of the seals characteristics.

HYDRAULIC SYMBOLS

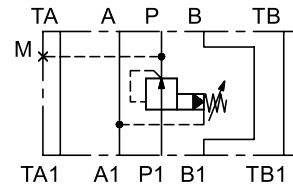
P05MSV-PDP



P05MSV-PDB

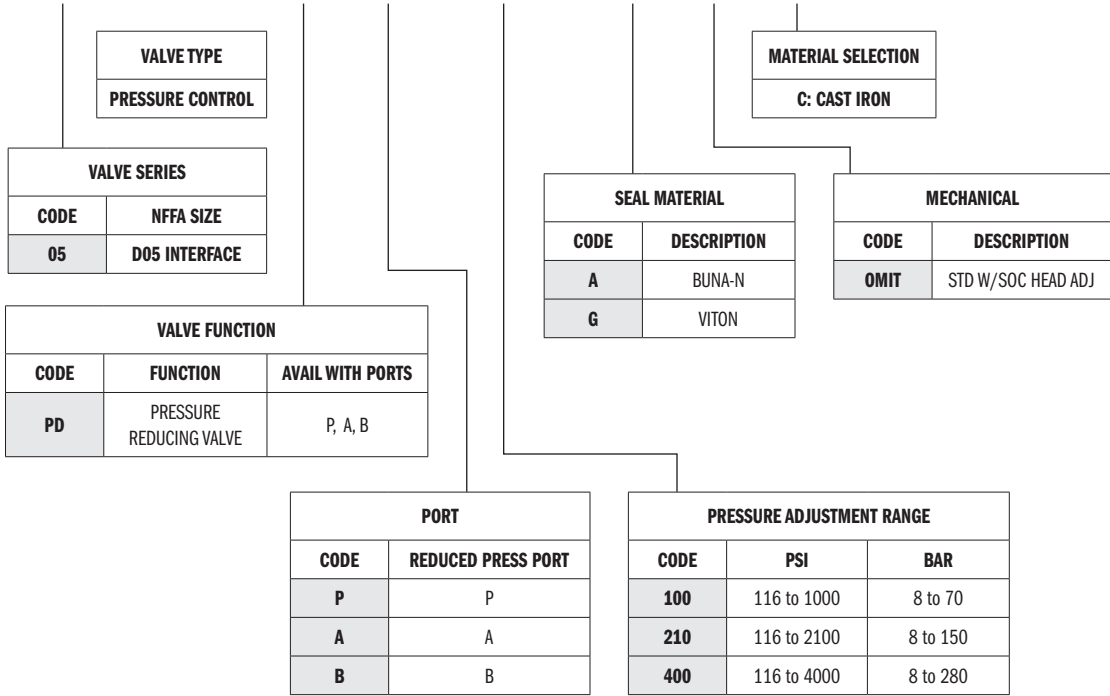


P05MSV-PDA

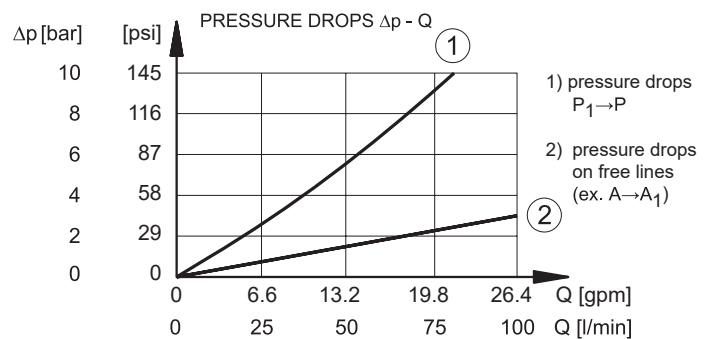
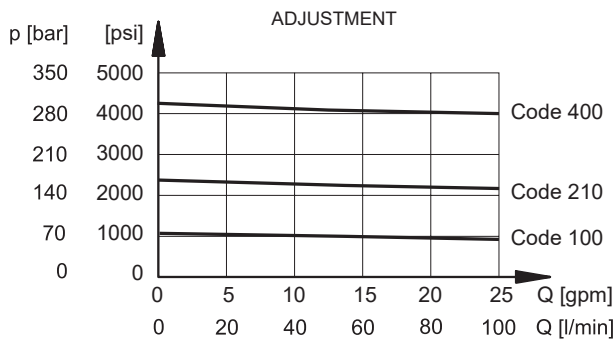


IDENTIFICATION CODE:

P05MSV - PD - - **C** - ————— DESIGN LETTER

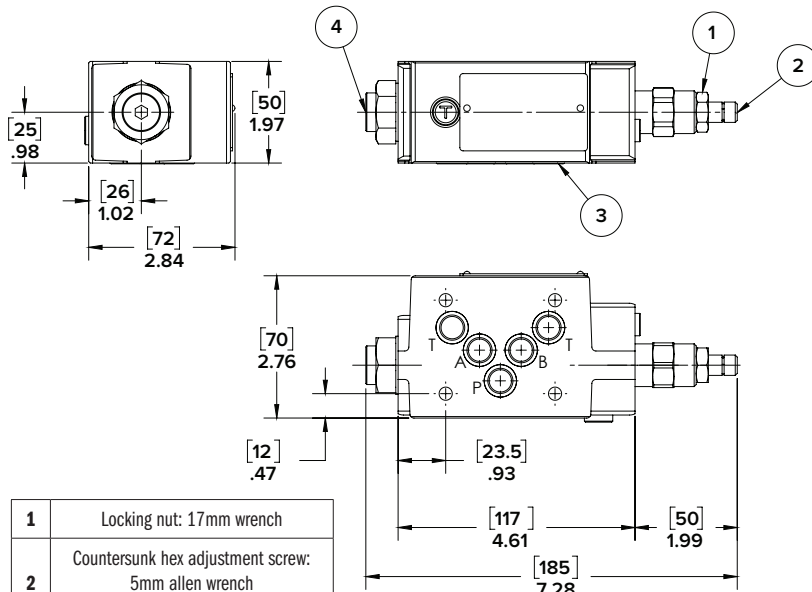


CHARACTERISTIC CURVES (values obtained with viscosity of 36 cSt at 120°F [50°C])



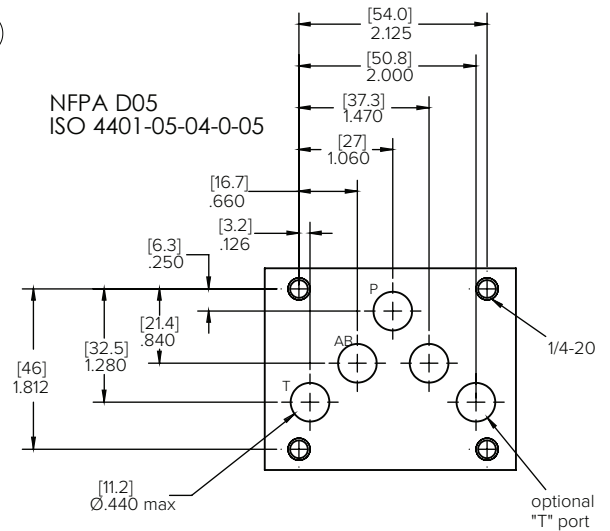
P05MSV-PD

OVERALL AND MOUNTING DIMENSIONS Dimensions inch [mm]



1	Locking nut: 17mm wrench
2	Countersunk hex adjustment screw: 5mm allen wrench Rotate clockwise to increase pressure
3	Qty. 5 O-rings - size AS568-014 (.489 ID x .070 CS) 90 Shore
4	Pressure gauge port SAE-04

MOUNTING INTERFACE Dimensions inch [mm]



INDUSTRIAL AND MOBILE SOLUTIONS

PROUD MEMBER OF THE **DIPLOMATiC** GROUP
MOTION SOLUTIONS

CONTINENTAL HYDRAULICS INC. / HYDRECO INC.

4895 12th Avenue East, Shakopee, Minnesota 55379

952.895.6400 • sales@conthyd.com • www.continentalhydraulics.com

704.295.7575 • sales-us@hydreco.com • www.hydreco.com