

CONTINENTAL



HYDRAULICS

CONTINENTAL HYDRAULICS

C03MSV-P*

PILOT OPERATED CHECK VALVE



C03MSV-P* - PILOT OPERATED CHECK VALVE

PRECISE

C03MSV-P* PILOT OPERATED CHECK VALVE



DESCRIPTION

This valve utilizes a guided spool and poppet-seat check valves as a blocking or load-holding device for high pressure applications.

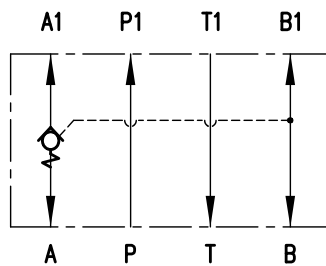
OPERATIONS

This valve allows free flow from the directional control valve work port to the load and blocks flow in the opposite direction. Flow is allowed from the load to the directional control valve work port when 30% of the load induced pressure is sensed in the opposing directional control valve work port.

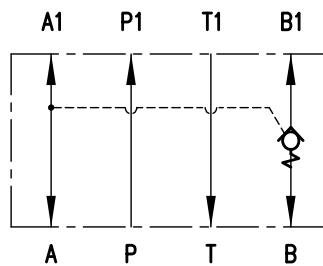
TYPICAL PERFORMANCE SPECIFICATIONS

MAXIMUM OPERATING PRESSURE		5000 psi	350 bar
CRACKING PRESSURE		43 psi	3 bar
MAXIMUM FLOW RATE	Controlled Lines	13 gpm	50 l/min
	Free Lines	20 gpm	75 l/min
PILOT RATIO		3.4:1	
MOUNTING SURFACE		NFPA D03 ISO 4401-03-02-0-05	
WEIGHT		2.87 lbs	1.3 Kg

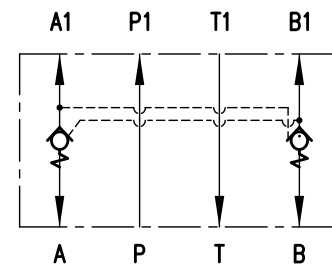
AVAILABLE VERSIONS



C03MSV-PA



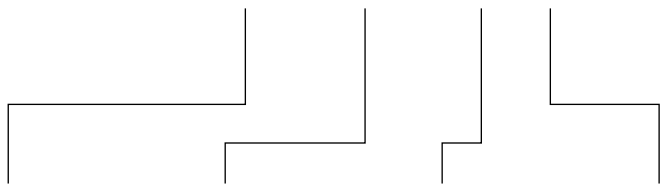
C03MSV-PB



C03MSV-PC

IDENTIFICATION CODE

C03MSV-P - **43** - **C** - _____ DESIGN LETTER



CONTROL PORT	
A	Port A
B	Port B
C	Port A and B

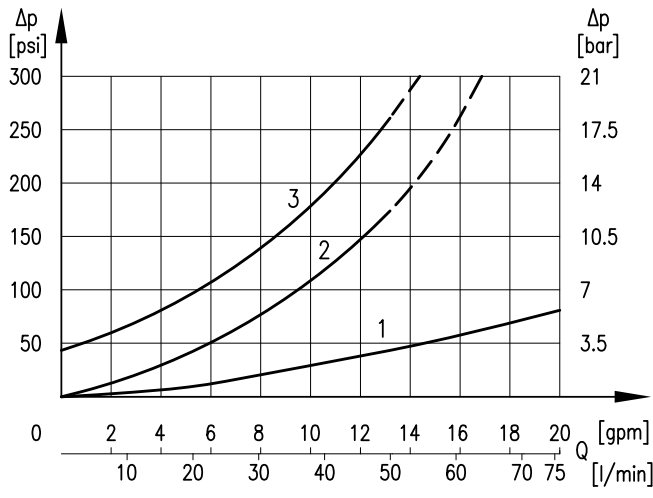
CRACKING PRESSURE	
43	43 psi

SEAL	
A	Buna (STD)
G	Viton

BODY MATERIAL	
C	Cast Iron

TYPICAL ORDERING CODE:
C03MSV-PA-43-AC-C

PERFORMANCE CURVE

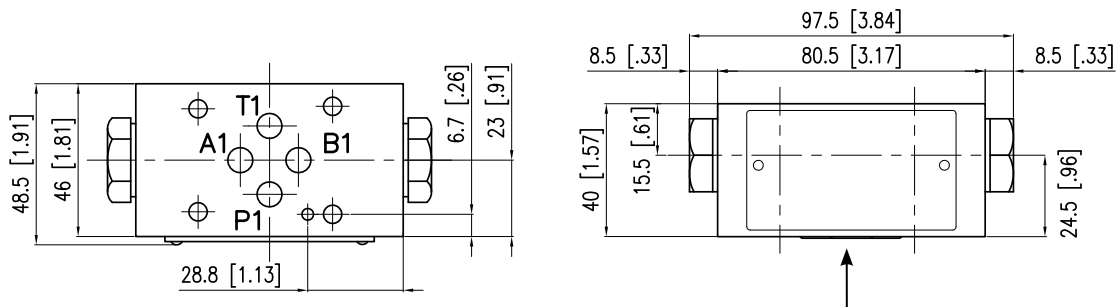


VALVE	FLOW CURVE NUMBER					
	A1→A	B1→B	P→P1	T→T1	A→A1	B→B1
C03MSV-PA	3	3	1	1	2	1
C03MSV-PB	3	3	1	1	1	2
C03MSV-PC	3	3	1	1	2	2

NOTE:
Values obtained with oil viscosity of 36 cSt at 122°F (50°C).

DIMENSIONS

Dimensions in mm [IN]



Mounting surface with sealing rings: Qty. 4 O-Ring AS568-012 90 Shore A

SEAL KIT

BUNA SEAL KIT	1013661
VITON SEAL KIT	1013662

POWERFUL
ACCURATE
INNOVATIVE
PRECISE
DURABLE
EFFICIENT
VERSATILE

ABOUT CONTINENTAL HYDRAULICS

Rugged, durable, high-performance, efficient—the reason Continental Hydraulics' products are used in some of the most challenging applications across the globe. With a commitment to quality customer support and innovative engineering, Continental's pumps, valves, power units, mobile and custom products deliver what the markets demand. Continental has been serving the food production, brick and block, wood products, automotive and machine tool industries since 1962. Learn how our products survive some of the most harsh environments.

SALES@CONTHYD.COM

4895 12TH AVENUE EAST . SHAKOPEE MN 55379 / PH: 952.895.6400 / FAX: 952.895.6444 / WWW.CONTINENTALHYDRAULICS.COM

CONTINENTAL



HYDRAULICS