

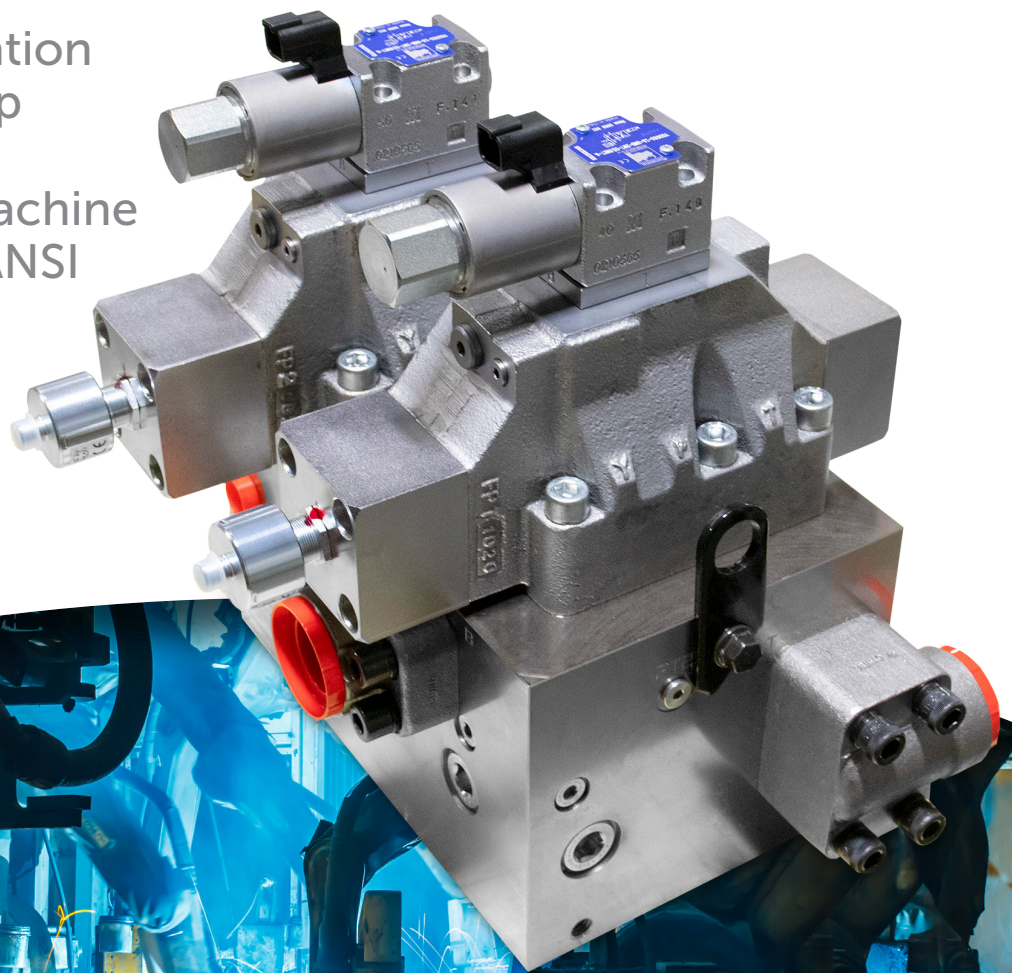
PERFORMANCE INTEGRITY
FOR YOUR SYSTEMS

DUAL MONITORING

Block and Bleed Control Valves



TÜV certification
valves to help
you achieve
compliance to EC Machine
Directives, ISO and ANSI
regulatory standards



DUAL MONITORING

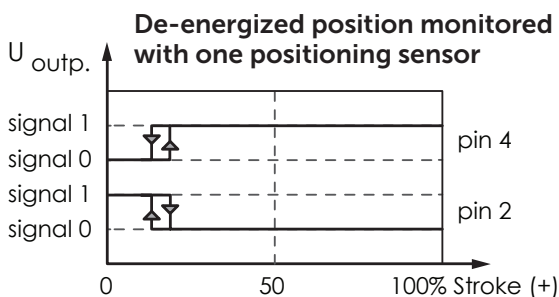
Block and Bleed Control Valves

Dual monitored block and bleed kits, are designed to assist in meeting safety requirements listed in ISO 13849-1/-2 and EN 692 directives.

These redundant design products, when properly implemented into the safety control and monitoring system using a high diagnostic coverage, can achieve Category 4, SIL 3 coverage requirements.

Dual monitored kits consist of ductile iron manifold and two single solenoid valves making it a redundant design. The series - parallel circuit design blocks flow and pressure until both valves have been actuated to allow flow and pressure from the supply to the machine. If either valve is deactivated the flow to the outlet port will be blocked from the hydraulic supply source and the outlet port is then automatically connected to tank removing all potential hydraulic power at the machine.

The solenoid operated directional valves are equipped with position sensors that monitor the main spool position. The switching position is indicated by a binary signal.



TÜV certification body certifies the compliance of VSD0*S valves with the EC safety standards ISO 4413:2012, UNI EN 12622:2014, UNI EN 693:2001 +A2:2001, UNI EN 201:2010 and UNI EN 422:2009 with certificate TÜV IT 14 MAC 0043.

Continental's double redundant directional control valves and ductile iron manifold assemblies, available in D03, D05 and D08 sizes, with flow rates from 1 to 80 GPM.

Continental Hydraulics double redundant valve assemblies are ideal for applications such as:

- Brick and Block Manufacturing
- Automotive Assembly Lines
- Machining Centers
- Recharging Systems in Critical Petro-Chemical/Energy Producing Applications
- Pulp and Paper Product Production
- Saw Mills
- Metal Forming
- Food Processing Plants
- Powering Dam Gates
- Motion Simulators
- Hydraulic Presses

D03 Direct Operated Valve

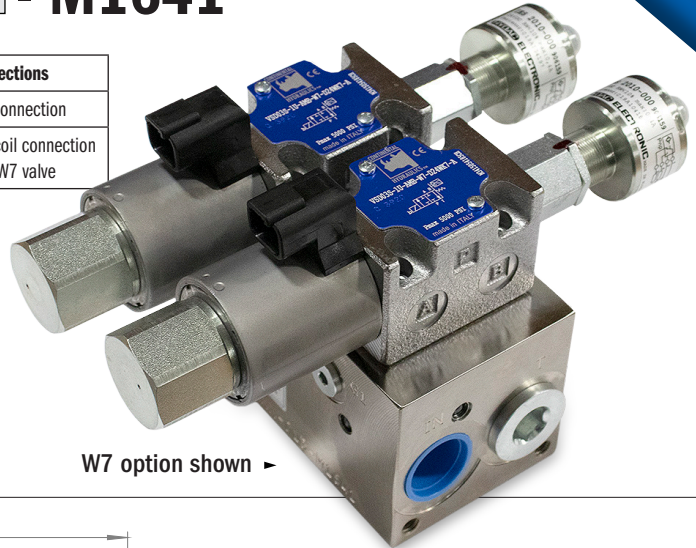
Flows to 15 GPM / Pressures to 5000 PSI

IDENTIFICATION CODE:

DMK - D03S - AMB - - D24 - M1641

Valve Surface Treatment	
Omit	Standard
W7	Zinc-Nickel Body Coating

Coil Connections	
K1	DIN coil connection
WK7	Deutsch coil connection only with W7 valve

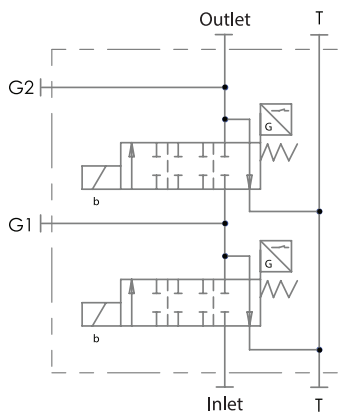


W7 option shown ▶

DETAILS:

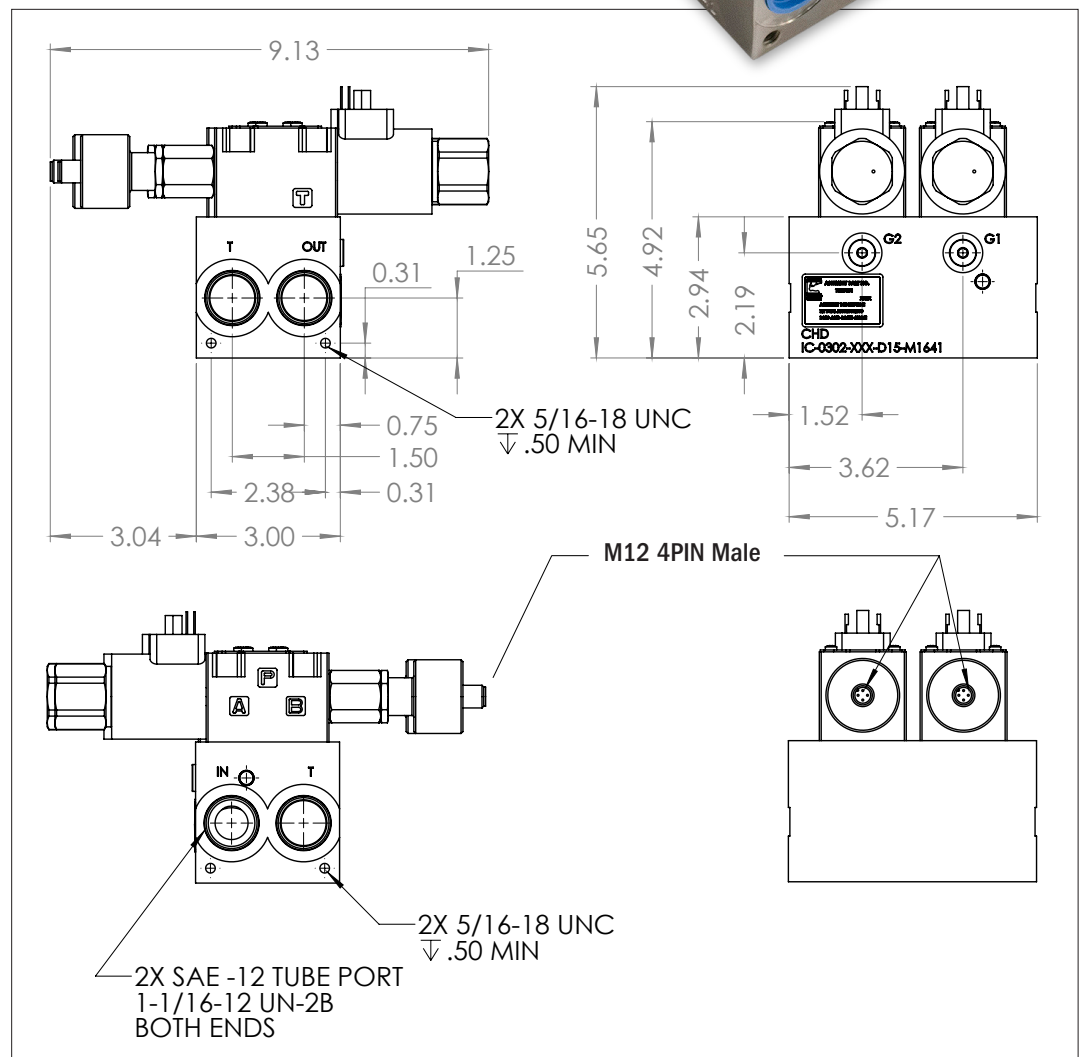
- NFPA D03 Monitored Valve
- Ductile iron manifold
- K1 - 24 VDC DIN coil connection (IP65)
- WK7 - 24 VDC Kit Deutsch coil connection (IP66) **NEW**
- Coil and switch mating connections sold separately
- Weight: 17.5 lbs / 8 Kg

MB Option - Standard



Ports	
IN/OUT/TANK	SAE-12
G1/G2	SAE-04

Cord and Connectors	
VEA-K7-C4-A	Deutsch cord assembly
VEA-3P4C-90-A	M12 4 Pin 90° cord assembly
VEA-3E-A	DIN Connector



Contact us for all your fluid power needs 952-895-6400

D05 Direct Operated Valve

Flows to 30 GPM / Pressures to 4600 PSI

IDENTIFICATION CODE:

DMK - D05S - AMB - - D24 - M1642

Valve Surface Treatment	
Omit	Standard
W7	Zinc-Nickle Body Coating

Coil Connections	
K1	DIN coil connection
K7	Deutsch coil connection only with W7 valve

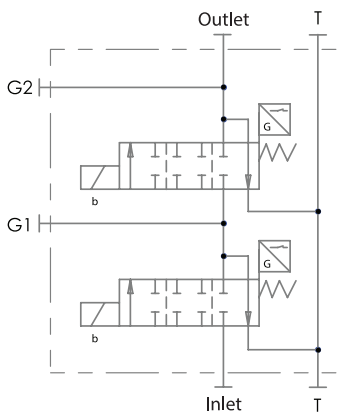


W7 option shown ▶

DETAILS:

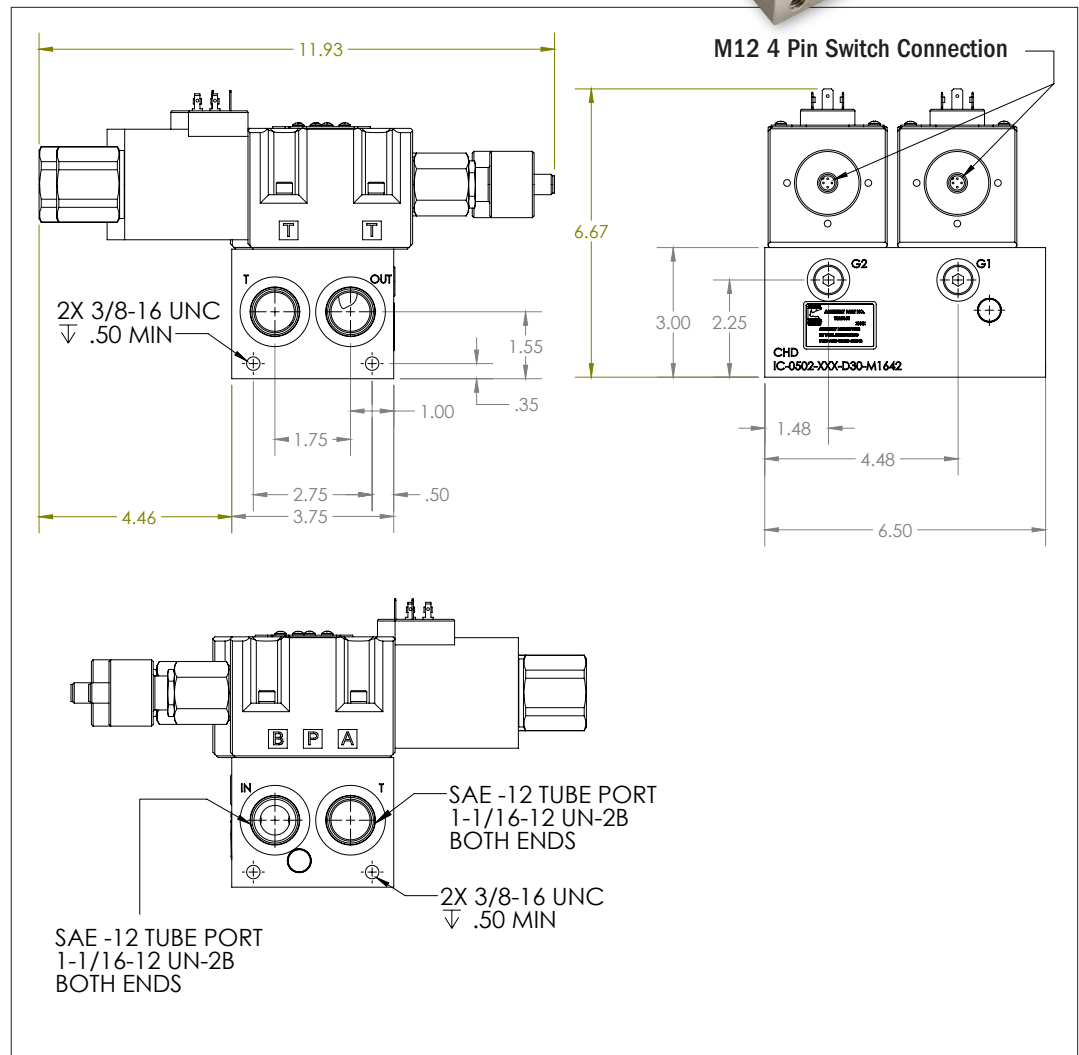
- NFPA D05 Monitored Valve
- Ductile iron manifold
- K1 - 24 VDC DIN coil connection (IP65)
- K7 - 24 VDC Kit Deutsch coil connection (IP66) **NEW**
- Coil and switch mating connections sold separately
- Weight: 38 lbs / 17.2 Kg

MB Option - Standard



Ports	
IN/OUT/TANK	SAE-12
G1/G2	SAE-06

Cord and Connectors	
VEA-K7-C4-A	Deutsch cord assembly
VEA-3P4C-90-A	M12 4 Pin 90° cord assembly
VEA-3E-A	DIN Connector



D08 Pilot Operated Valve

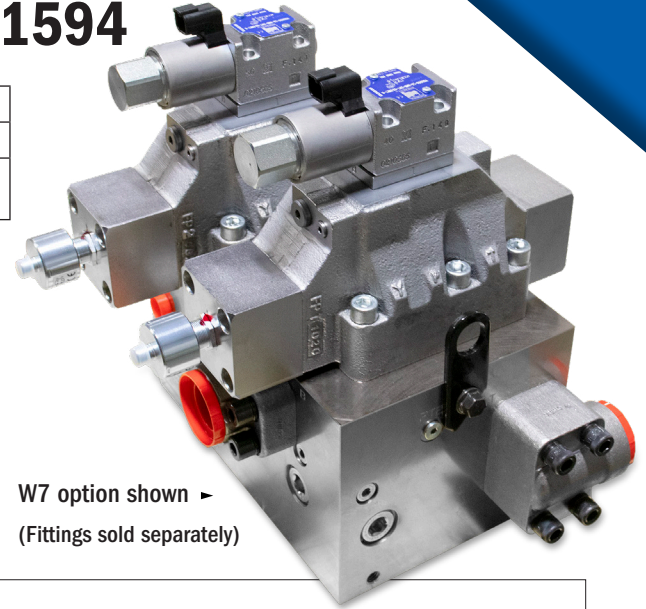
Flows to 80 GPM / Pressures to 5000 PSI

IDENTIFICATION CODE:

DMK - D08S - AMB - 2□ - D24□ - M1594

Valve Surface Treatment	
Omit	Standard
W7	Zinc-Nickle Body Coating

Coil Connections	
K1	DIN coil connection
WK7	Deutsch coil connection only with W7 valve

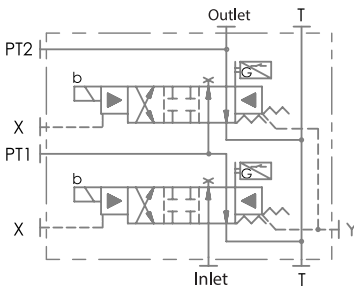


W7 option shown ▶
(Fittings sold separately)

DETAILS:

- NFPA D08 Monitored Valve
- Ductile iron manifold
- K1 - 24 VDC DIN coil connection (IP65)
- WK7 - 24 VDC Kit Deutsch coil connection (IP66) **NEW**
- M12 4 pin switch connection
- Weight: 245 lbs / 111.1 Kg

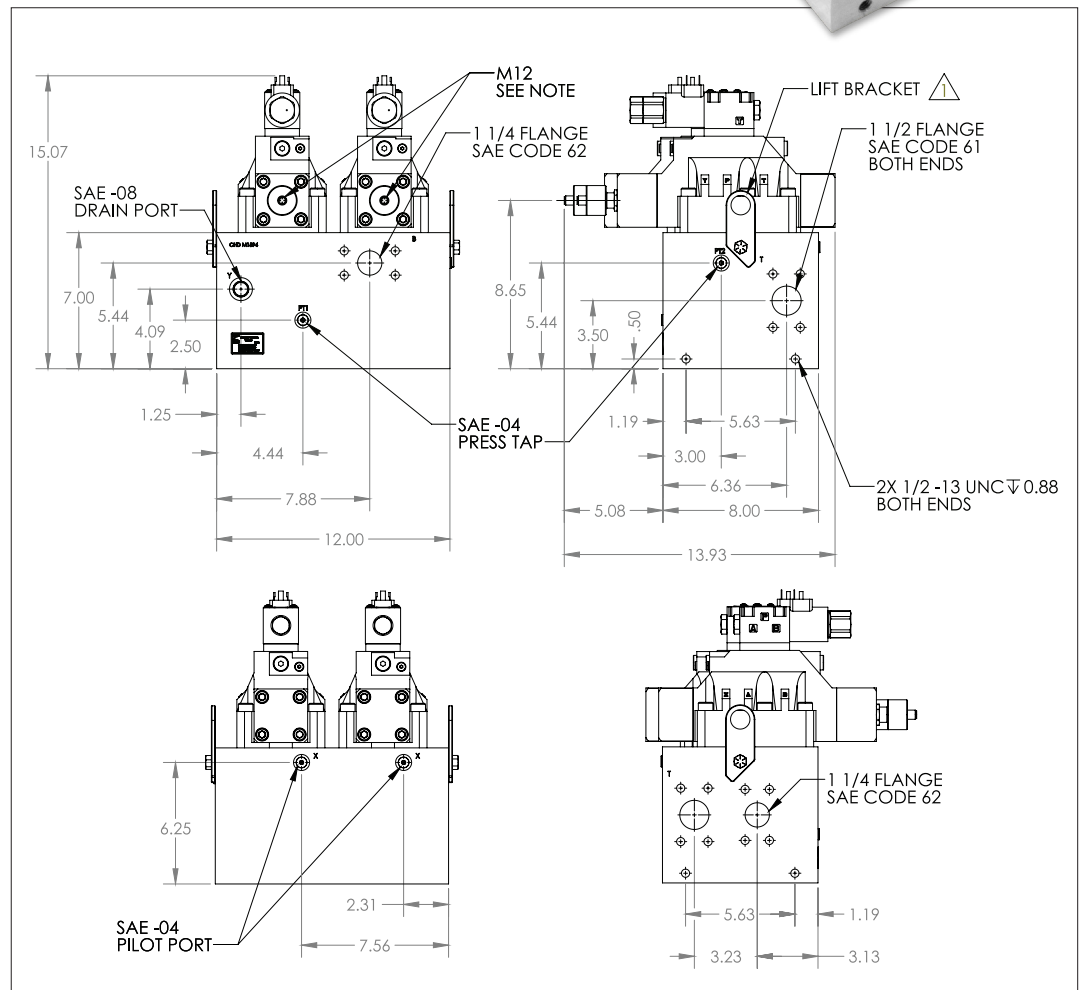
MB Option - Standard



Ports	
P and B	1 1/4 code 62 S.F.
T	1 1/2 code 61 S.F.
PT* and X	SAE-04
Y Port	SAE-08

Pilot / Drain Ports Pressure	
X Port pilot pressure range	200 - 3000 PSI
Y Port connect direct to tank	0 - 50 PSI

Cord and Connectors	
VEA-K7-C4-A	Deutsch cord assembly
VEA-3P4C-90-A	M12 4 Pin 90° cord assembly
VEA-3E-A	DIN Connector



Making the difference at Continental

At Continental, we have built our reputation on these four pillars that make our company different: People who care, who deliver engineering excellence and application know-how, all while being easy to do business with.

From hydraulics to motion solutions, from the Mid-West to the World, from analogue control logics to computerized electronics and AI, we are riding the wave of technology in our fast-changing markets.

Continental has been at the forefront of power transmission innovation for over 60 years and is – a leading force in transforming the industrial world we live in.

Continental's 4 Pillars of Difference



Global Support

As a member of the Diplomatic Group our distribution and service network is quick, reliable, and responsive to our customer's needs. Rest assured that no matter where you're located, we will be there with unrivaled products and technical expertise.



Technical Support

Quality products are only part of Continental Hydraulics and Hydreco's commitment to our customers. We also provide advisory, planning, and design services specifically geared to your application and backed by on-time delivery, full repair and test facility capabilities.



Exceptional People

Continental engages and inspires their workforce to deliver on our four pillars of difference, providing the very best in what we do. Our culture, like everything at Continental, is made possible by each employee's contribution as a unified team.



Jeff Clausen | Assembler



CONTINENTAL HYDRAULICS INC.

4895 12th Avenue East, Shakopee, Minnesota 55379

General: 952-895-6400

Fax: 952-895-6444

sales@conthyd.com

www.continentalhydraulics.com

CONTINENTAL HYDRAULICS IS A PROUD MEMBER OF THE  GROUP

