

SERVICE MANUAL

PVR1 Manifold Series Pump

Installation, Start-Up, Operating Instructions, Parts Pages, Repair Procedures

“I” Design Series



This service manual applies to products with Ordering Codes like the sample in Figure 2.

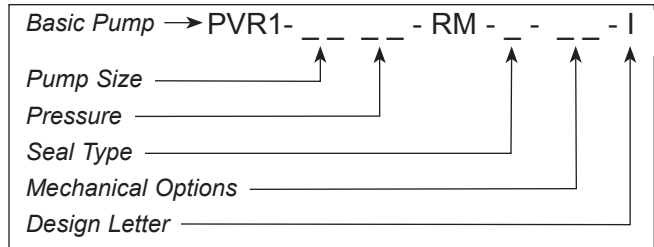





Figure 2

-  **CAUTION** - Before performing any service operation on any pump, be sure that all pressure has been relieved from BOTH SIDES of the system.
-  **CAUTION** - Before performing any service operation on any pump, disconnect or lock off power supply.
-  **CAUTION** - Before starting pump, be sure that any resulting machine function will not endanger persons or equipment.

PRODUCT IDENTIFICATION

Each pump has a Model Code stamped on its nameplate. See Figure 1 for the location of the Model Code.

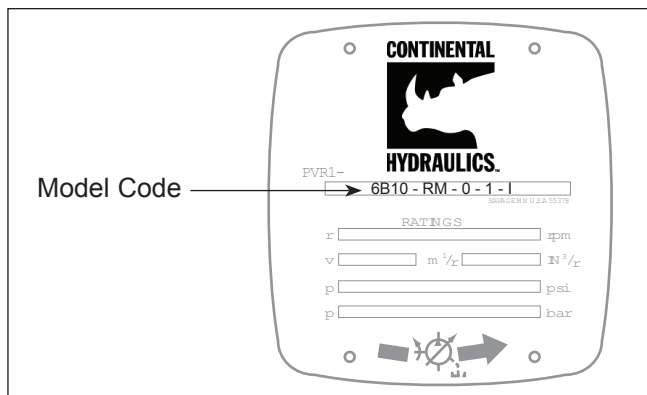



Figure 1

INSTALLATION

 **NOTE THESE CHANGES:** Design Series “A” thru “G” used a #406 woodruff key nominally 1/8 inch (3.2 mm) wide. Design Series “H” and later use a common 3/16 x 3/16 x 1 inch square key. When replacing older pumps with a newer one, it will be necessary to either install a new coupling half with a 3/16 inch keyway or machine the existing keyway. Also, the pressure adjustment screw is 3/4 inch (19.1 mm) longer. Check dimensions of existing installation to make sure there is sufficient clearance for the adjustment screw.

PUMP DRIVE AND MOUNTING

When mounting the pump and motor, care must be taken to align the pump and motor shafts within .003 T.I.R. Direct inline through a jaw type/flexible web coupling is recommended for all Continental pumps. Tire-type flexing elements and chain-type drives are not recommended. With belt drives, please consult factory.

To avoid axial and radical end loading of the pump shaft, do not couple the pump and motor shafts rigidly. Allow freedom at the coupling for the two shafts to ride independently.

To prevent end loading, the space between the pump and motor shaft ends should be 1/2 inch (12.7 mm) for PVR1 pumps, or as the coupling manufacturer specifies.

PIPING AND RESERVOIR

The pump should be mounted with a minimum number of elbows or fittings. The pump suction should be at least one (1) inch (25.4 mm) tube/pipe for PVR1 pumps. For any system and combination of piping except High Water Based Fluids (HWBF), the vacuum at the pump inlet must not exceed seven (7) inches of Mercury, (5 inch Hg. for fire resistant fluids). HWBF Pumps are to have a positive inlet head in the range of 0.5-inch Hg. to 20 inch Hg.

Piping should be done with pickled pipe or seamless tubing free of dirt and scale. Do not use galvanized or other pipe that tends to flake off.

A 100-mesh screen (60 mesh for fire resistant and HWBF) should be used on the pump suction line. The screen should be located approximately two (2) inches (50.8 mm) from the bottom of the tank. All lines returning oil to the tank should discharge at least two (2) inches (50.8 mm) below the minimum oil level and should be separated from the pump suction area by means of a baffle. These lines should also include a 10-micron return line filter, with the exception of the case drain line.

The pump case drain should be connected directly to the tank. Pressure in excess of 10 psi (0.7 bar) in the case drain line can result in shaft seal leakage. It is recommended that the case drain be returned to the tank by a separate 3/8-inch (9.5 mm) line.

STARTUP PROCEDURES

The following instructions apply for initial start-up of the hydraulic pump. After an extended shutdown period, start with item 5.



CAUTION - Never start a new pump installation against a blocked system.

1. Check the nameplate for model number and rpm. The arrow on the pump casting and/or nameplate indicates direction of rotation.
2. Pump suction line should extend below the lowest point of oil level but not less than two (2) inches (50.8 mm) above reservoir bottom.
3. The pump and motor shafts must be aligned within .003 inches (.08 mm). (See Pump Drive and Mounting directions above for restrictions).
4. Connect the case drain directly to tank (or to a heat exchanger if the pump will be deadheading for long periods of time during operation) using a full-size line corresponding to the case drain in the pump or manifold. If connected to a heat exchanger, the case

drain line should be protected with an 8 psi (0.55 bar) maximum relief valve in parallel with the heat exchanger. No other return lines should be connected in common with the case drain return.

5. Rotate pump and motor by hand to insure free rotation.
6. Set the machine controls to open the circuit and allow free flow from the pump back to tank or connect the pump outlet line directly to tank. Jog the motor on and off several times (on two seconds; off three seconds) until the pump is primed. Check pump for proper direction of rotation during the jogging.
7. After the pump has been primed, run it for several minutes at lower than normal pressures with an open or intermittently open system which permits oil flow. This will purge entrapped air from the pump and system.
8. Neither volume adjustment nor pressure adjustment should be adjusted until the pump has been primed and running, and air is purged.
9. After air has been purged from the system, the system can be closed and the pump adjusted to the required operating pressure.
10. If necessary, the volume adjustment can be adjusted to limit maximum output to the desired amount.

11. When replacing pumps, the suction screen in the reservoir must be removed and thoroughly cleaned. Also, the suction line from the reservoir to the pump must be flushed inside and out to remove any contaminants. Pieces of metal from a damaged pump can back up into this line. If they are not removed, they will be drawn into the new pump and destroy it. Start unit by using proper pump start-up procedures as previously stated.



CAUTION - If both pressure and volume controls are supplied on the pump, the pressure should be adjusted before the volume. Volume should be adjusted at minimum pump pressure or at deadhead. Stop adjusting the volume screw when pressure begins to drop.

OPERATION

Pressure Control Adjustment

All pumps (except those with special volume or pressure requirements) are adjusted to reduced pressure before shipment and must be readjusted to the required system pressure after installation and start-up.

The pressure adjusting screw is located at the end face of the compensator chamber. See parts page item number 30. The adjusting screw has a right hand thread; clockwise adjustment of the screw increases the pressure; counterclockwise adjustment reduces the pressure.

A pressure gauge located at the pump must be used when making adjustments to ensure the pressure settings do not exceed limits specified for the particular pump or maximum system pressure.

Make all pressure settings with the pump operating against a closed circuit, that is with the output of the pump blocked, and then check pressure throughout the pump flow range.

Volume Control Adjustment

Adjust volume at minimum pump pressure or at pump deadhead. The volume adjusting screw is directly opposite the pressure adjusting screw, see parts page item number 55. The adjusting screw has a right hand thread, turning the screw clockwise decreases the maximum volume, turning the screw counterclockwise increases the maximum volume. Pumps are set at maximum rated volume at the factory unless otherwise specified.

Stop adjusting the volume screw when pressure begins to drop. See Sales Catalog for complete pump performance specifications.

ADJUSTMENT PROCEDURES

To adjust the maximum output volume, use the following steps:

1. Set the pump at minimum pressure.
2. Hand-tighten the volume screw until it touches the pressure ring. **NOTE:** The pump should be at full flow for this step.
3. See Pressure and Volume Adjustment Sensitivity chart below.
4. Deadhead the pump, then turn the volume screw the proper number of turns to obtain the flow desired.
5. Return pump to flow condition and check flow rate. If the output flow is incorrect, switch pump to deadhead and readjust per above.

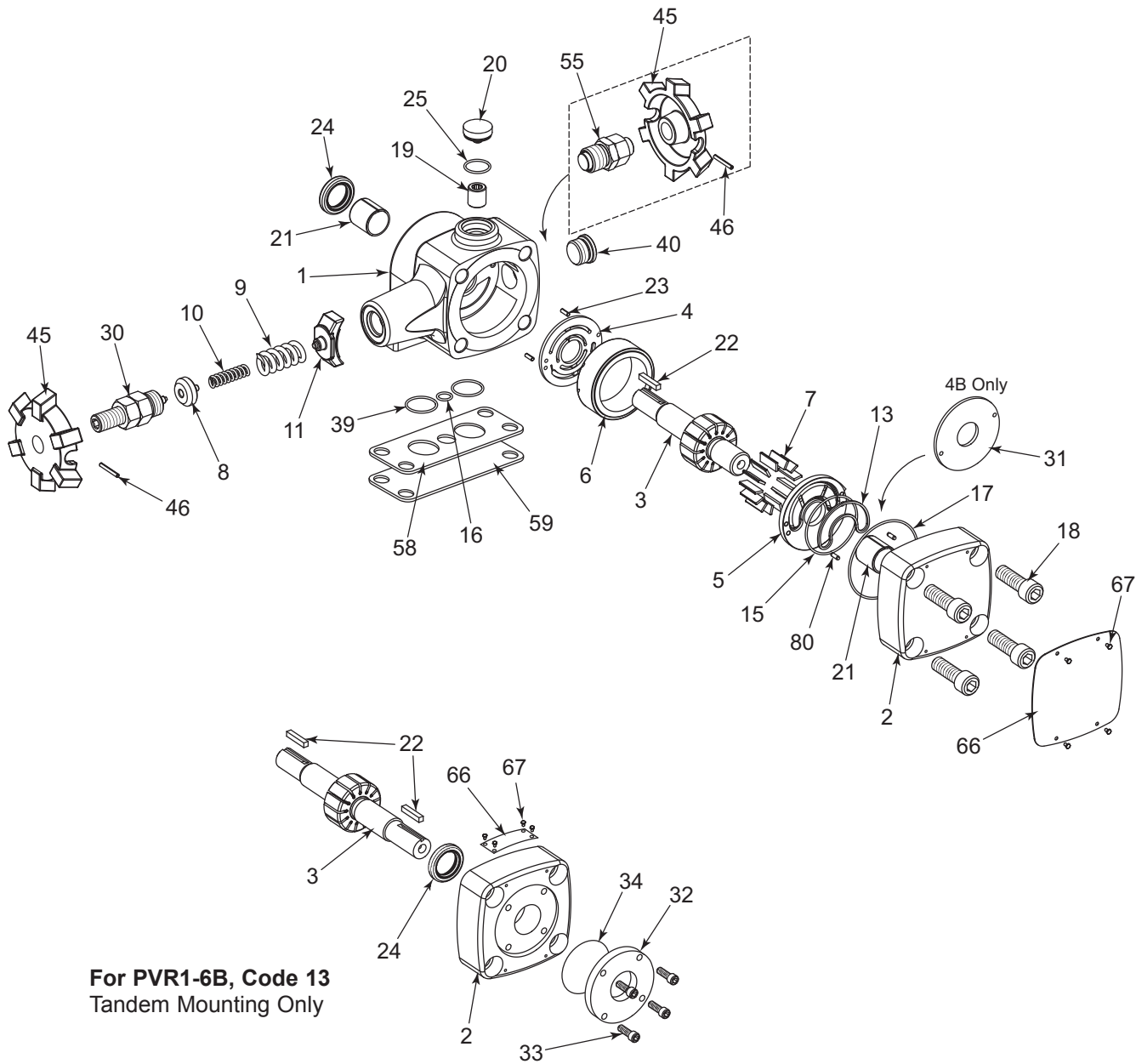


CAUTION - Turning the maximum volume control in too far can force the pressure ring over-center and destroy the pump.

PRESSURE and VOLUME ADJUSTMENT SENSITIVITY

		PUMP SIZE		4B			6B			8B		
		PRESSURE CODE		10	15	03	06	10	03	06	10	
PRESSURE ADJUSTMENT	Press Change/Turn	psi (bar)	255 (17.8)	270 (18.6)	115 (7.9)	210 (14.5)	240 (16.5)	115 (7.9)	210 (14.5)	240 (16.5)		
	Max. Torque	ft./lbs. (kg/m)	4.0 (0.55)	6.0 (0.83)	1.4 (0.19)	2.6 (0.36)	4.0 (0.55)	1.4 (0.19)	2.6 (0.36)	4.0 (0.55)		
VOLUME ADJUSTMENT	Flow Change/Turn	gpm (lpm)	3.4 (12.5)		4.6 (17.4)			4.6 (17.4)				
	Min. Flow Adjust.	gpm (lpm)	1.25 (4.7)		1.25 (4.7)			1.25 (4.7)				
	Max. Torque	ft./lbs. (kg/m)	2.5 (0.34)		1.0 (0.14)			1.0 (0.14)				

PVR1 PARTS DRAWINGS



PVR1 PARTS LIST

ITEM NO.	CODE	PART NO.	DESCRIPTION	QTY REQ'D	ITEM NO.	CODE	PART NO.	DESCRIPTION	QTY REQ'D
1		550173	Pump Body	1	21		163797	Bearing Bushing	2
2		508943	Cover	1	22		126225	Key (Add 1 - Code 13; 6B)	1
2	6B; Code 13	550833	Cover	1	23		004223	Roll Pin	2
3		407929	Rotor Shaft	1	24		130795	Lip Seal (Add 1 - Code 13; 6B)	1
3	4B	407930	Rotor Shaft	1	25		104617	O-Ring	1
3	6B; Code 13	550834	Rotor Shaft	1	25	Viton	166069	O-Ring	1
4	4B	550111	Port Plate	1	30		309977	Pressure Adj. Screw Ass'y.	1
4	6B	049944	Port Plate	1	31	4B	255204	Spacer	1
4	8B	500598	Port Plate	1	32	6B; Code 13	351087	Seal Retainer	1
5		550351	Thrust Plate	1	33	6B; Code 13	198221	Soc. Hd. Cap Screw	4
6	4B	114592	Pressure Ring	1	34	6B; Code 13	001508	O-Ring	1
6	6B	112021	Pressure Ring	1	39		115787	O-Ring	2
6	8B	123175	Pressure Ring	1	39	Viton	114944	O-Ring	2
7	4B	250516	Vane Kit	1	40		250058	O-Ring Plug	1
7	6B, 8B	250517	Vane Kit	1	40	Viton	254789	O-Ring Plug	1
8		166620	Spring Seat	1	45	15, 36	252152	Handwheel (Add 1 - Code 1536)	1
9	4B10, 8B06	116375	Governor Spring	1	46	15, 36	261323	Spring Pin (Add 1 - Code 1536)	1
9	4B15, 6B06	116381	Governor Spring	1	55	6, 36	450196	Volume Adj. Screw Ass'y.	1
9	6B03	116373	Governor Spring	1	58		013976	Mounting Plate	1
9	6B10, 8B10	116376	Governor Spring	1	59		018507	Cover Plate	1
9	8B03	116374	Governor Spring	1	66		309973S	Escutcheon	1
10	6B03, 8B03	130295	Spring	1	66	6B; Code 13	111431S	Escutcheon	1
11	4B	114584	Ring Shoe Assembly	1	67		250597	Drive Screw	4
11	6B	112022	Ring Shoe Assembly	1	80		002586	Dowel pin	2
11	8B	123174	Ring Shoe Assembly	1	80	4B	260382	Dowel Pin	2
13		307257	Teflon Seal Ring	1					
15		124194	O-Ring	1					
15	Viton	147177	O-Ring	1					
16		106739	O-Ring	1					
16	Viton	109781	O-Ring	1					
17		111891	O-Ring	1					
17	Viton	166612	O-Ring	1					
18		198295	Soc. Hd. Cap Screw	4					
19		252792	Thrust Screw	1					
20		250371	Thrust Screw Plug	1					

PVR1 KIT LIST (Refer to Drawing and Parts List)

WEAR PLATE KIT		ROTATING KIT		COMPLETE REBUILD KIT	
Includes Items: 4, 5 and 31 & 80 for 4B		Includes Items: 3, 6, 21		Includes Items: All Kits Listed & Item 22	
Model	Kit No.	Model	Kit No.	Model	Kit No.
4B	251307	4B	250758	4B	251310
6B	251308	6B	250760	6B	251311
8B	251309	8B	250759	8B	251312

SEAL KIT	
Includes Items: 13, 15, 16, 17, 24, 25, 39 & seals for items 40 or 55	
Model	Kit No.
All Buna-N	250454
All Viton	250455

VANE KIT	
Includes Item: 7	
Model	Kit No.
4B	250516
6B, 8B	250517

PVR1 PUMP REPAIR PROCEDURES

DISASSEMBLY PROCEDURE



NOTE: Disassembling the pump to change components, or for any other reason, may void the warranty. Refer to Policy Statement and Discounts Summaries.



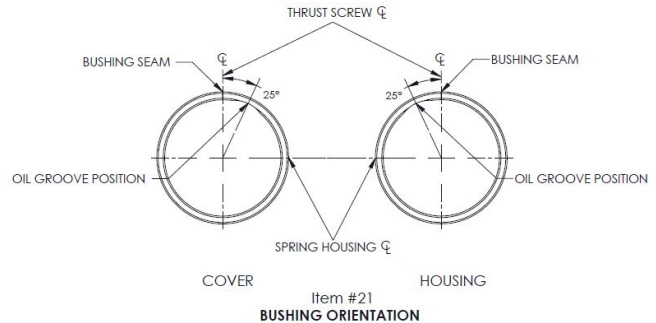
Disconnect all power before disassembly!

1. Remove the key (22) in the rotor shaft keyway.
2. Remove the four cover bolts and slide the cover back far enough on the shaft to break the seal between the housing and cover to allow the pump to drain. A small amount of oil may remain in the pump.
3. Remove the cover (2). Take care to avoid damage to the bearing with the end of the shaft when the cover is removed.
4. The thrust plate (5) may come out with the cover. Do not let it drop off the locating pins.
5. Remove the vanes (7) with a long nosed pliers or tweezers, there is one vane in each slot, 13 vanes total.
6. Remove the rotorshaft (3) from the pump. Be sure that the key (22) has been removed from the keyway so that it will not damage the shaft seals when the rotorshaft is removed.
7. Turn the pressure adjustment screw (30) counterclockwise to release the tension on the governor spring.
8. Remove the pressure ring (6), ring shoe (11), governor spring (9), spring seat (8) and follower spring (10).
9. If the lip seals (24) are to be removed they should be pushed out from the inside of the housing at this time. Care must be taken not to damage the bearing bushing (21) in the housing while the lip seals are being removed. It is recommended that the lip seals be replaced whenever the pump is disassembled for maintenance. The seals cannot be reused once they have been removed.
10. The bearing bushing (21) in the pumps are assembled with a press fit. If they are to be removed at this time, the bearing in the housing should be pressed out from the front. The cover bearing should be pulled out using an expanding type puller. The bearings should not be reused once they have been removed.

11. It is unlikely that further disassembly will be necessary in order to perform routine maintenance on the pump.

REASSEMBLY PROCEDURE

1. Clean and inspect parts to determine which parts are worn enough to require replacement.
2. Assemble the new bearings (21) in the housing and cover. The bearing OD's should be lubricated before they are pressed in the bores. Care must be taken to orient the "split" and the "oil groove" in the bearing as shown in the illustration below.

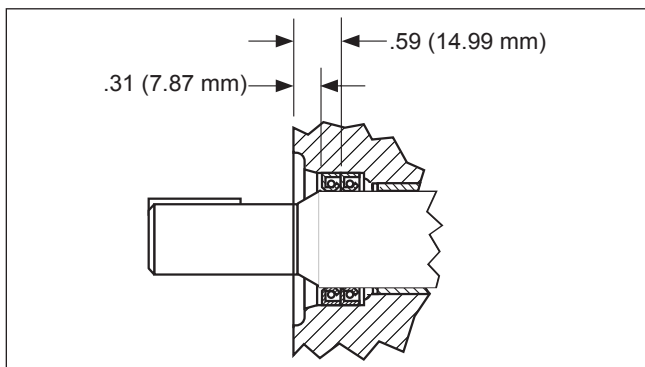


3. After the bearings are in place, check to see that the rotor shaft (3) will fit into the bearings and provide a smooth turning fit. If the shaft turns hard, the bearings should be removed and the bore checked closely for nicks or burrs before pressing in the new bearings.
4. Check all of the replacement parts for nicks or burrs and then lubricate them with clean oil before reassembly.
5. Worn port (4) and thrust plates (5) should not be reground to clean up the wear surface. If the plates are ground, the assembly clearance will become excessive and the seal rings in the thrust plate may rupture. Replace worn port and thrust plates if necessary.
6. Assemble the port plate (4) on the locating pins (23) in the body housing. If the bores are not concentric, the port plate must be rotated 180° on the locating pins.
7. Assemble the springs (9 and 10), spring seat (8) and ring shoe (11), pressure ring (6) and rotorshaft (3).
8. To assure proper vane assembly, place the vanes (7) with the beveled edge against the pressure ring.

9. Install the o-ring (15) into the thrust plate (5) and the square teflon seal ring (13) on top of it. Stretch the larger soft seal ring slightly so it clings to the OD at the cavity. Apply clean oil or STP to the back of the thrust plate before it is placed on the locating pins in the cover to help hold the parts together while they are assembled.

10. Before fitting the cover into the housing, check to assure that the bore in the thrust plate is concentric to the bearing bore in the cover. If the bores are not concentric, the thrust plate must be rotated 180° on the locating pins.

11. Assemble the cover (2) and thrust plate (5) onto the housing (1) and align the bolt holes. Rotate the shaft as the cover bolts (18) are tightened to assure that the vanes are not cocked.



12. Torque the cover bolts to 50 lbs-ft ±10 lbs-ft. The shaft should turn by hand when assembly is complete.

13. Lubricate the ID of the shaft seals (24) and press them into the housing to the depth shown below. Note the "lips to the inside" orientation of the seals.

14. Adjust the pressure adjustment screw (30) until it just touches the spring and then give it one more turn clockwise.

15. Turn pump upside down. Pour one cup of good grade hydraulic fluid into the intake port while slowly rotating the shaft in the direction shown by the rotation arrow.

16. The pump is now ready to test. Refer to the start-up procedure in the front of this manual.



Continental Hydraulics
5505 West 123rd Street
Savage, MN 55378
Phone: (952) 895-6400 Fax: (952) 895-6444
www.continentalhydraulics.com

Because Continental Hydraulics is continually improving its' products, specifications and appearance are subject to change without notice.